



# **PARTS MANUAL**



**MODEL: C-80**

**SERIAL NO: 190-70101 to 190-77988**

**BAND SAWING MACHINE**

# MACHINE SPECIFICATIONS

MODEL   SERIAL NO.

VOLTAGE  CYCLE  PHASE

---

---

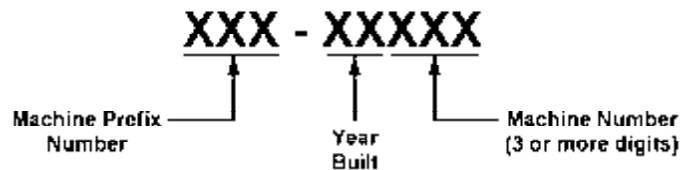
For your information and future reference, insert pertinent data concerning your machine in the spaces provided above. This information is stamped on the data plate attached to the machine frame.

Always specify model and serial numbers on all parts orders and correspondence concerning your machine. This will help avoid unnecessary delays and inconvenience during processing.

The specifications contained herein were in effect at the time this manual was approved for printing. The DoALL Company, whose policy is one of continuous product improvement, reserves the right, however, to change specifications or design at any time without notice and without incurring obligations.

How to read your serial number:

Example: 500-001234



**YOUR SERVICE REPRESENTATIVE:**



INDEX A-1

FICHE NO. E-42 & 43 CLASS Power Saw MODEL C-80 SERIAL NO. 190-70101 TO 190-77988

PAGE NO.	DESCRIPTION	FIRST SERIAL	LAST SERIAL	FRAME NO.		FICHE NO.
				DWG.	P. LIST	
PS-1-34	Final Assembly	All		A-3	A-4	E-42
PS-9-114	*Automatic Lubrication Assembly	All		A-5	A-6	E-42
PS-2-19	Band Brush	190-70101	To 190-73270	F-7	F-8	E-42
PS-2-23	Band Brush	190-73271	To 190-77988	F-11	F-12	E-42
PS-8-39	Band Speed Indicator	All		D-1	D-2	E-43
PS-8-83	*Band Speed Indicator	All		D-3	D-4	E-43
PS-2-20	Band Tension Assembly	All		A-7	A-8	E-42
PS-7-98	Band Tension Cylinder Assembly	All		A-9	A-10	E-42
PS-2-34	Bandwheel Assemblies	All		A-11	A-12	E-42
PS-2-39	Blade Guard Assembly (Left Hand)	All		A-13	A-14	E-42
PS-9-35	*Chip Conveyor Assembly	All		B-1	B-2	E-42
PS-7-175	Control Console Assy. (Head Mounted)	190-70101	To 190-73282	B-3	B-4	E-42
PS-7-55	Control Console Assy. (Head Mounted)	190-73283	To 190-77988	B-5	B-6	E-42
PS-8-68	*Control Console Assy. (Remote) 1 of 2	All		B-7	B-8	E-42
PS-8-40	*Control Console Assy. (Remote) 2 of 2	All		B-9	B-10	E-42
PS-8-58	Control Panel Assembly (Relay)	All		B-11	B-12	E-42
PS-7-39	Control Panel Sub-Assy. (Hyd. Head Mtd.)	190-70101	To 190-72268	B-13	B-14	E-42
PS-7-48	Control Panel Sub-Assy. (Hyd. Head Mtd.)	190-72269	To 190-77988	C-1	C-2	E-42
PS-8-42	*Control Panel Sub-Assy. (Hyd. Remote)	All		C-3	C-4	E-42
PS-8-63	Control Valving Assy. (Head Mtd. Console)	190-70101	To 190-73282	C-5	C-6	E-42
PS-8-53	Control Valving Assy. (Head Mtd. Console)	190-73283	To 190-77988	C-7	C-8	E-42
PS-8-51	*Control Valving Assy. (Remote Console)	All		C-9	C-10	E-42
PS-9-28	*Conveyor Assy. (5' & 10'-12" & 18" Rollers)	All		C-11	C-12	E-42
PS-9-61	*Conveyor Assy. (5' & 10'-24" Rollers)	All		C-13	C-14	E-42
PS-9-115	*Conveyor Assy. (10' W/Vertical Rollers)	All		D-1	D-2	E-42
PS-9-129	*Conveyor Assembly (Discharge)	All		D-3	D-4	E-42
PS-9-101	*Conveyor Assembly (Hydraulic Motorized)	All		D-5	D-6	E-42
PS-6-15	Coolant Assembly	All		D-7	D-8	E-42
PS-6-7	Coolant Pump Assembly	All		D-9	D-10	E-42
PS-8-39	*Counter (Head Mounted)	All		D-1	D-2	E-43
PS-8-40	*Counter (Remote)	All		B-9	B-10	E-42
PS-6-17	*Curtain Coolant Assembly	All		D-11	D-12	E-42
PS-9-112	*Cutting Rate Timer Assembly	All		D-13	D-14	E-42
PS-2-52	Door Latch Assemblies (Head)	190-70101	To 190-73270	E-9	E-10	E-42
PS-2-53	Door Latch Assemblies (Head)	190-73271	To 190-77988	F-13	F-14	E-42
PS-4-55	Drive Assembly	All		E-1	E-2	E-42
PS-4-57	Drive Motor & Base Assembly	All		E-3	E-4	E-42
PS-4-7	Drive Motor & Base Assy. (U-Frame & 7 EQ)	All		E-5	E-6	E-42
PS-8-5	Electrical Assembly 1 of 2	All		E-7	E-8	E-42
PS-8-6	Electrical Assembly 2 of 2	All		E-9	E-10	E-42
PS-3-74	Feed Table Assembly	All		E-11	E-12	E-42
PS-7-72	Feed Table Cylinder Assembly	All		E-13	E-14	E-42
PS-3-78	Fixed Vise Base Assembly	All		F-1	F-2	E-42
PS-7-71	Fixed Vise Clamp Cylinder Assembly	All		F-3	F-4	E-42
PS-9-94	*Floating Feed Vise Assembly	All		F-5	F-6	E-42
PS-7-71	*Floating Vise Clamp Cylinder Assembly	All		F-3	F-4	E-42
PS-6-15	Flushing Hose	All		D-7	D-8	E-42
PS-8-39	*Head Approach (Head Mounted Console)	All		D-1	D-2	E-43
PS-8-40	*Head Approach (Remote Console)	All		B-9	B-10	E-42
PS-2-19	Head Assembly 1 of 2	190-70101	To 190-73270	F-7	F-8	E-42
PS-2-52	Head Assembly 2 of 2	190-70101	To 190-73270	F-9	F-10	E-42
PS-2-23	Head Assembly 1 of 2	190-73271	To 190-77988	F-11	F-12	E-42
PS-2-53	Head Assembly 2 of 2	190-73271	To 190-77988	F-13	F-14	E-42
PS-8-44	*Head Control Panel Assembly (Remote)	All		G-1	G-2	E-42
PS-8-45	*Head Control Panel Sub-Assy. (Remote)	All		G-3	G-4	E-42
PS-7-73	Head Lift Cylinder Assembly	All		G-5	G-6	E-42
PS-2-22	Head Raise Limit Assembly (Wand)	190-70101	To 190-74550	G-7	G-8	E-42
PS-2-24	Head Raise Limit Assembly (Wand)	190-74551	To 190-77988	G-9	G-10	E-42
PS-7-168	Hydraulic Assembly 1 of 3	190-70101	To 190-72196	A-3	A-4	E-43
PS-7-171	Hydraulic Assembly 2 of 3	190-70101	To 190-72196	A-5	A-6	E-43
PS-7-173	Hydraulic Assembly 3 of 3	190-70101	To 190-72196	A-7	A-8	E-43
PS-7-170	Hydraulic Assembly 1 of 3	190-72197	To 190-77988	A-9	A-10	E-43
PS-7-116	Hydraulic Assembly 2 of 3	190-72197	To 190-77988	A-11	A-12	E-43
PS-7-42	Hydraulic Assembly 3 of 3	190-72197	To 190-77988	A-13	A-14	E-43
PS-4-57	Hydraulic Pump	All		E-3	E-4	E-42
PS-4-8	*Hydraulic Pump (U-Frame & 7 EQ)	All		E-5	E-6	E-42

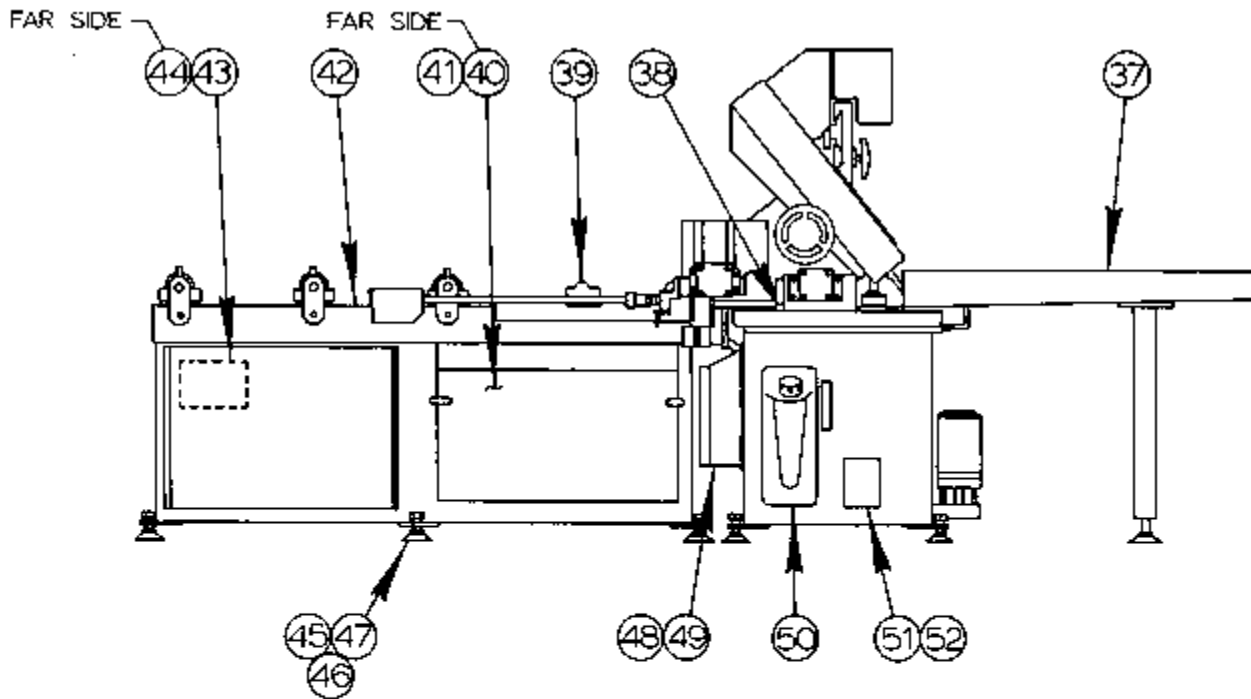
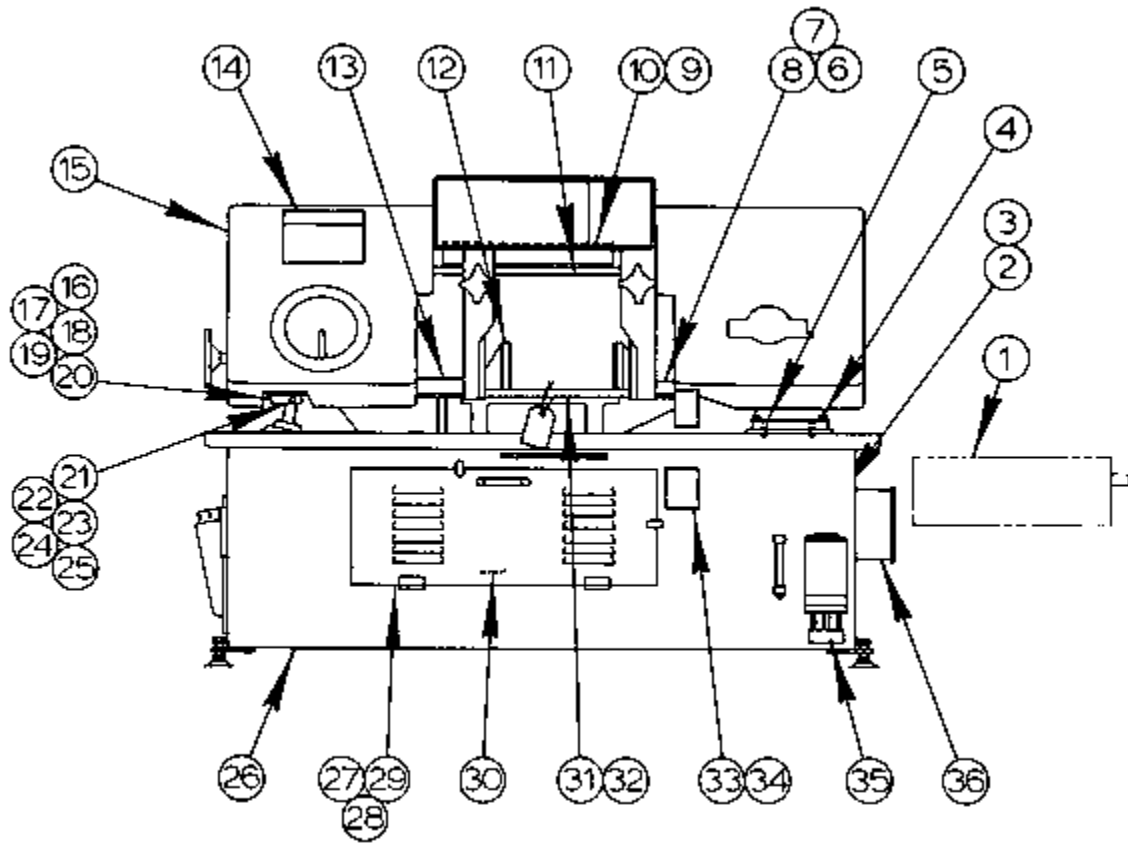
## INDEX A-2

FICHE NO. E-42 &amp; 43 CLASS Power Saw MODEL C-80 SERIAL NO. 190-70101 TO 190-77988

PAGE NO.	DESCRIPTION	FIRST SERIAL	LAST SERIAL	FRAME NO.		FICHE NO.
				DWG.	P. LIST	
PS-3-100	Index Vise Sub-Assembly	190-70101	To 190-71168	B-1	B-2	E-43
PS-3-76	Index Vise Sub-Assembly	All		B-3	B-4	E-43
PS-7-71	Index Vise Clamp Cylinder Assembly	All		F-3	F-4	E-42
PS-5-20	Job Selector Assembly	All		B-5	B-6	E-43
PS-7-175	Lamp (Head Mounted Console)	190-70101	To 190-73282	B-3	B-4	E-42
PS-7-55	Lamp (Head Mounted Console)	190-73283	To 190-77988	B-5	B-6	E-42
PS-8-44	*Lamp (Remote Console)	All		G-1	G-2	E-42
PS-3-86	Micrometer Assembly	All		B-7	B-8	E-43
PS-9-100	*Multiple Index Assembly	All		B-9	S-10	E-43
PS-9-98	*Nesting Fixture Assembly	190-70101	To 190-74441	B-11	B-12	E-43
PS-9-127	*Nesting Fixture Assembly	190-74442	To 190-77988	B-13	B-14	E-43
PS-9-102	*Nesting Fixture Assy. (High Pressure)	190-70101	To 190-72220	C-1	C-2	E-43
PS-9-118	*Nesting Fixture Assy. (W/High Clamp Force)	190-72221	To 190-74481	C-3	C-4	E-43
PS-9-124	*Nesting Fixture Assy. (W/High Clamp Force)	190-74482	To 190-77988	C-5	C-6	E-43
PS-7-71	*Nesting Vise Cylinder Assembly	All		F-3	F-4	E-42
PS-9-72	*Nesting Vise Pressure Booster Cyl. Assy.	190-70101	To 190-72220	C-7	C-8	E-43
PS-7-174	Oil Filter	190-70101	To 190-72196	E-7	E-8	E-43
PS-7-43	Oil Filter	190-72197	To 190-76922	E-9	E-10	E-43
PS-7-125	Oil Filter	190-76923	To 190-77988	E-11	E-12	E-43
PS-9-99	*Outboard Vise & Stock Tray Assembly	All		C-9	C-10	E-43
PS-9-181	*Outboard Vise & Stock Tray Assembly (W/Nesting Vise)	190-70101	To 190-74441	C-11	C-12	E-43
PS-9-141	*Outboard Vise & Stock Tray Assembly (W/Nesting Vise)	190-74442	To 190-77988	C-13	C-14	E-43
PS-8-39	Pushbutton Panel Assy. (Head Mounted)	All		D-1	D-2	E-43
PS-8-83	*Pushbutton Panel Assembly (Remote)	All		D-3	D-4	E-43
PS-5-25	Saw Guide Assemblies	190-70101	To 190-73270	D-5	D-6	E-43
PS-5-26	Saw Guide Assemblies	190-73271	To 190-73342	D-7	D-8	E-43
PS-5-27	Saw Guide Assemblies	190-73343	To 190-76816	D-9	D-10	E-43
PS-5-31	Saw Guide Assemblies	190-76817	To 190-77988	D-11	D-12	E-43
PS-7-70	Speed Change Cylinder Assembly	All		D-13	D-14	E-43
PS-3-75	Stock Tray Assembly	All		E-1	E-2	E-43
PS-4-56	Tachometer Drive Assembly (Band Brush)	All		E-3	E-4	E-43
PS-4-7	Transmission Assembly	All		E-5	E-6	E-43
PS-7-179	Valve Panel Assembly	190-70101	To 190-72196	E-7	E-8	E-43
PS-7-43	Valve Panel Assembly	190-72197	To 190-76922	E-9	E-10	E-43
PS-7-125	Valve Panel Assembly	190-76923	To 190-77988	E-11	E-12	E-43
PS-4-55	Variable Assembly (10-1/4")	All		E-1	E-2	E-42
PS-4-55	Variable Base Assembly	All		E-1	E-2	E-42
PS-9-117	*Variable Vise Pressure Assembly	All		E-13	E-14	E-43
PS-9-140	*Var. Vise Pressure Assy. (W/Nesting Vise)	All		F-1	F-2	E-43
PS-9-116	*Var. Vise Pressure Assy. (W/Outboard Vise)	All		F-3	F-4	E-43
PS-2-37	*Work Capacity Assembly (15" Rounds)	All		F-5	F-6	E-43
PS-9-128	*Work Capacity Assembly (18")	All		F-7	F-8	E-43
PS-9-96	*Work Stop Assembly	All		F-9	F-10	E-43

\*Denotes Attachment Or Assemblies Of Attachments Or Optional Equipment.

Note: For C-80 With 6' Indexing Feed Table, See Fiche E-44 & E-45 (C-81). For C-80 With 12' Indexing Feed Table, See Fiche E-46 & E-47 (C-82)



MODEL	FIRST MACH.	LAST MACH.
C-80	190-70101	190-77988

FINAL ASSEMBLY  
(0"-24" INDEX FEED TABLE)

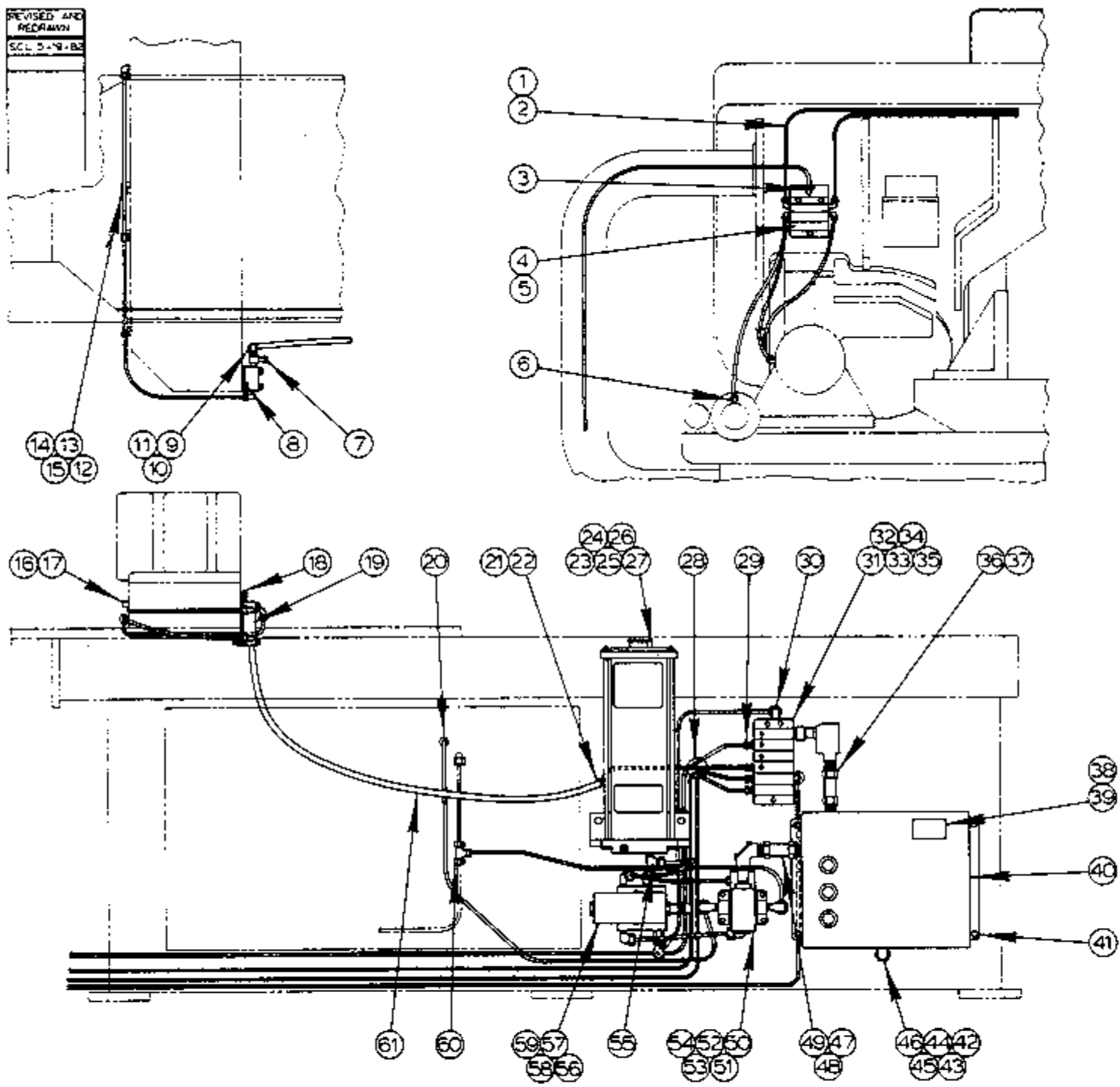
## FINAL ASSEMBLY

INDEX NO. Ref.	PART NO.	DESCRIPTION	UNITS PER ASS'Y
	290010	Final Assembly (0" - 24" Index Feed Table)	
1	094-018926	. Chip Box Assembly.....	1
	091-234690	. . Screen Assembly.....	1
2	095-000691	. Drive Cover Weldment.....	1
3	091-990275	. Screw, Truss Hd. Mach. 5/16-18NC x 1/2.....	2
4	091-982975	. Screw, Soc. Hd. Cap 1/2-13NC x 2.....	4
5	090-075003	. Dowel Pin.....	2
6	093-030906	. R.H. Blade Guard.....	1
7	091-980003	. Screw, Hex. Hd. Cap #10-24NC x 3/8.....	2
8	091-993196	. Washer, Lock #10 Std.....	2
9	095-062684	. Escutcheon (Saw Guide Arm Adj.) (English).....	1
	095-059788	. Escutcheon (Saw Guide Arm Adj.) (International).....	1
10	091-993964	. Screw, Rd. Hd. Drive #2 x 3/16.....	6
11	090-042698	. Roll Pin.....	1
12	095-000659	. Fixed Vise Base Assembly (See Detail).....	1
13	090-372756	. L.H. Blade Guard Assembly (See Detail).....	1
14	094-043544	. Escutcheon (Warning) (Used After Serial #190-73321).....	1
15	095-022125	. Head Assembly (See Detail).....	1
16	094-006392	. Lug.....	1
17	091-254920	. Spacer (3/16" Thick).....	A.R.
18	091-254938	. Spacer (5/16" Thick).....	A.R.
19	091-982819	. Screw, Soc. Hd. Cap 3/8-16NC x 1-1/2.....	2
20	091-212209	. Spacer (.0299).....	A.R.
21	091-211920	. Pin.....	1
22	091-984245	. Screw, Soc. Set 1/4-20NC x 3/8.....	1
23	091-223362	. Washer (.0747).....	A.R.
24	091-341339	. Spacer (1/64" Thick).....	A.R.
25	091-341347	. Spacer (1/32" Thick).....	A.R.
26	095-013876	. Frame Weldment.....	1
27	094-019056	. Cover Weldment.....	1
28	135-020105	. Pushbutton Clamp.....	6
29	091-994608	. Screw, Rd. Hd. Self-Tap #6-32NC x 1/4.....	6
30	095-014155	. Drive Assembly (See Detail).....	1
31	091-368241	. Saw Band (1" Precision Bi-Metal).....	1
32	093-045250	. Saw Band Tag.....	1
33	091-286526	. Cover.....	1
34	091-994616	. Screw, Rd. Hd. Self-Tap #6-32NC x 3/8.....	4
35	095-008652	. Coolant Assembly (See Detail).....	1
36	095-001533	. Electrical Assembly (See Detail).....	1
37	095-001558	. Stock Tray Assembly (See Detail).....	1
38	090-075003	. Dowel Pin.....	2
39	090-319880	. Roller Assembly.....	1
40	094-026259	. R.H. Front Panel Weldment (Far Side).....	1
41	094-018868	. L.H. Front Panel Weldment.....	1
42	095-000626	. Feed Table Assembly (0" - 24" Index) (See Detail).....	1
43	091-990150	. Screw, Truss Hd. Mach. #10-24NC x 3/8.....	4
44	090-065988	. Cover (Far Side).....	1
45	090-124207	. Foot Casting.....	8
46	091-984732	. Screw, Soc. Set 5/8-11NC x 2.....	8
47	091-991356	. Nut, Hex. 5/8-11NC.....	8
48	095-001749	. Rear Cover.....	1
49	091-994657	. Screw, Rd. Hd. Self-Tap #10-24NC x 3/8.....	2
50	095-012118	. Hydraulic Assembly (See Detail).....	1
51	091-419325	. Cover.....	1
52	091-988535	. Screw, Rd. Hd. Mach. #8-32NC x 3/8.....	2

## FOLLOWING NOT SHOWN:

090-256843	. Splash Guard Assembly.....	1
090-388356	. Guard Assembly.....	1
080-556459	. 10' Conveyor Assembly (See Detail).....	1
094-068723	. Instruction Tag.....	1
090-424904	. Shovel Rake.....	1
090-058116	. Hydraulic Oil (DoAll ESL Anti-Wear).....	1
090-155136	. Kleen Flush.....	1
091-371476	. Allen Wrench Set.....	1
091-972372	. Grommet Strip.....	A.R.

REVISED AND  
RECLAIMED  
SCL 5-9-62



MODEL	FIRST MACH.	LAST MACH.
C-80	190-70101	190-77988
C-1216A	373-77101	373-83822
CE-1216A	367-77101	367-83174

AUTOMATIC LUBRICATION ASSEMBLY

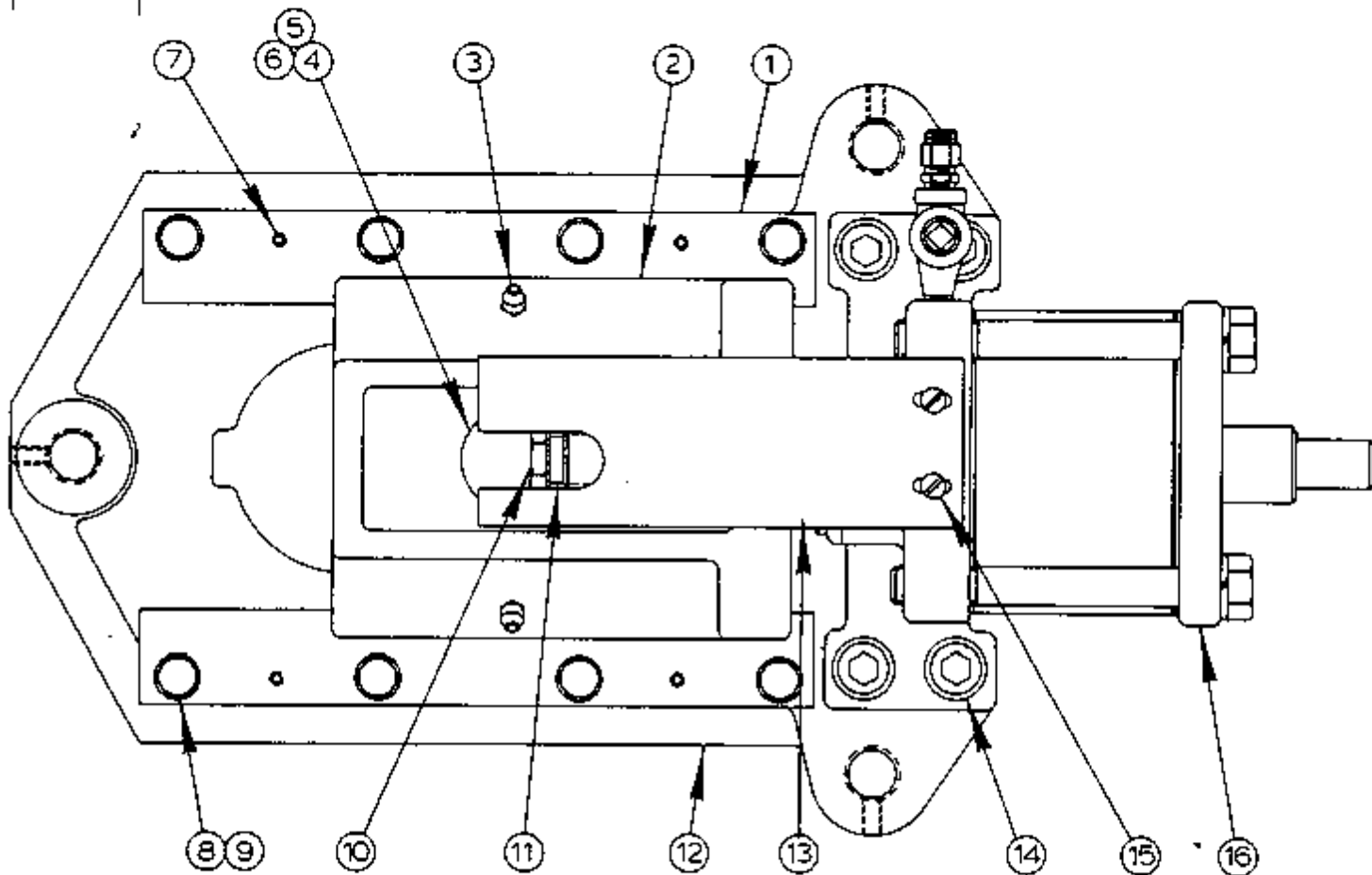
## AUTOMATIC LUBRICATION ASSEMBLY

INDEX NO.	PART NO.	DESCRIPTION	UNITS PER ASS'Y
Ref.	085-023398	Automatic Lubrication Assembly (C-80)	
Ref.	091-528175	Automatic Lubrication Assembly (C-1216A, CE-1216A)	
1	091-971374	. Nylon Tubing 1/4 O.D.	A.R.
2	090-169681	. Tubing Clamp	A.R.
3	093-090058	. Male Connector	1
4	091-430793	. Manifold (Used After Serial #373-77121)	1
5	091-980136	. Screw, Hex. Hd. Cap 1/4-20NC x 1-3/4	2
6	093-090538	. 90° Male Elbow	10
7	105-275069	. 90° Street Elbow	1
7a	091-980086	. Screw, Hex. Hd. Cap 1/4-20NC x 3/4	3
9	090-038498	. Swivel Adaptor Union	1
10	091-029173	. Pipe Nipple	1
11	091-047142	. 90° Elbow	1
12	091-148255	. Compression Bushing	7
13	090-144460	. Compression Sleeve	7
14	090-181983	. Elbow Adaptor	7
15	091-971358	. Steel Tubing 5/32 O.D.	A.R.
16	091-314484	. Guard	1
17	091-982140	. Screw, Soc. Hd. Cap #8-32NC x 3/4	5
18	091-295899	. Plate	1
19	091-080283	. Divisional Feeder	1
20	093-090108	. Male Connector	2
21	091-256735	. Bulkhead Adaptor	1
22	135-024560	. Hex. Reducer Bushing	1
*23	091-398974	. Oil Reservoir	1
24	091-490078	. Mounting Bar	1
25	091-980490	. Screw, Hex. Hd. Cap 3/8-16NC x 1-3/4	2
26	091-993329	. Washer, Lock 3/8 Std.	4
27	091-991265	. Nut, Hex. 3/8-16NC	4
28	090-128331	. Grommet	1
29	093-090041	. Male Connector	4
30	093-090546	. 90° Male Elbow	5
31	091-430785	. Manifold (Used After Serial #373-77121)	1
32	091-980151	. Screw, Hex. Hd. Cap 1/4-20NC x 2-1/4	6
33	091-993212	. Washer, Lock 1/4 Std.	21
34	091-991158	. Nut, Hex. 1/4-20NC	6
35	090-039272	. Spacer	3
36	091-972190	. Extension Cord	A.R.
37	090-158353	. Cord Grip Connector	2
38	090-161563	. Escutcheon (Warning) (English)	1
	091-061978	. Escutcheon (Warning) (International)	1
39	091-993964	. Screw, Rd. Hd. Drive #2 x 3/16	4
40	091-429001	. Cycle Controller (115-VAC, 60 Hz)	1
	091-429019	. Cycle Controller (115-VAC, 50 Hz)	1
	091-429027	. Cycle Controller (230-VAC, 50 Hz)	1
41	091-980060	. Screw, Hex. Hd. Cap 1/4-20NC x 1/2	4
42	090-145046	. 90° Sealrite Connector	2
43	091-971564	. Sealrite Conduit 1/2"	A.R.
44	091-971903	. Wire, #14 Red (Nylon Jacket)	A.R.
45	090-144114	. Flanged Washer	2
46	090-145053	. O-Ring	2
47	091-050971	. 90° Box Connector	1
48	090-058132	. Pipe Nipple	1
49	090-145459	. Sealrite Connector	2
50	091-528000	. Directional Control Valve (115-VAC)	1
	091-528182	. Directional Control Valve (230-VAC)	1
51	091-196279	. 90° Street Elbow	3
52	093-090579	. 90° Male Elbow	5
53	091-538777	. Sub-Plate	1
54	091-982447	. Screw, Soc. Hd. Cap 1/4-20NC x 1-1/4	4
55	093-090603	. 90° Male Elbow	1
56	091-492991	. Pump	1
57	091-607374	. Wall Mounting Plate	1
58	093-090595	. 90° Male Elbow	1
59	091-971382	. Nylon Tubing 3/8 D.D.	A.R.
60	093-092427	. Union Tee	1
61	090-112251	. Hydraulic Hose	1

FOLLOWING NOT SHOWN:

091-203695 . Pipe Plug..... 1

\*NOTE: #23 Was 091-085928 Before Serial #190-76854 On C-80 Only.



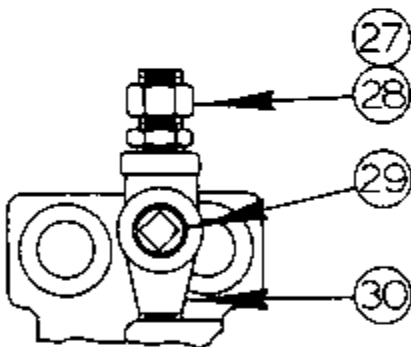
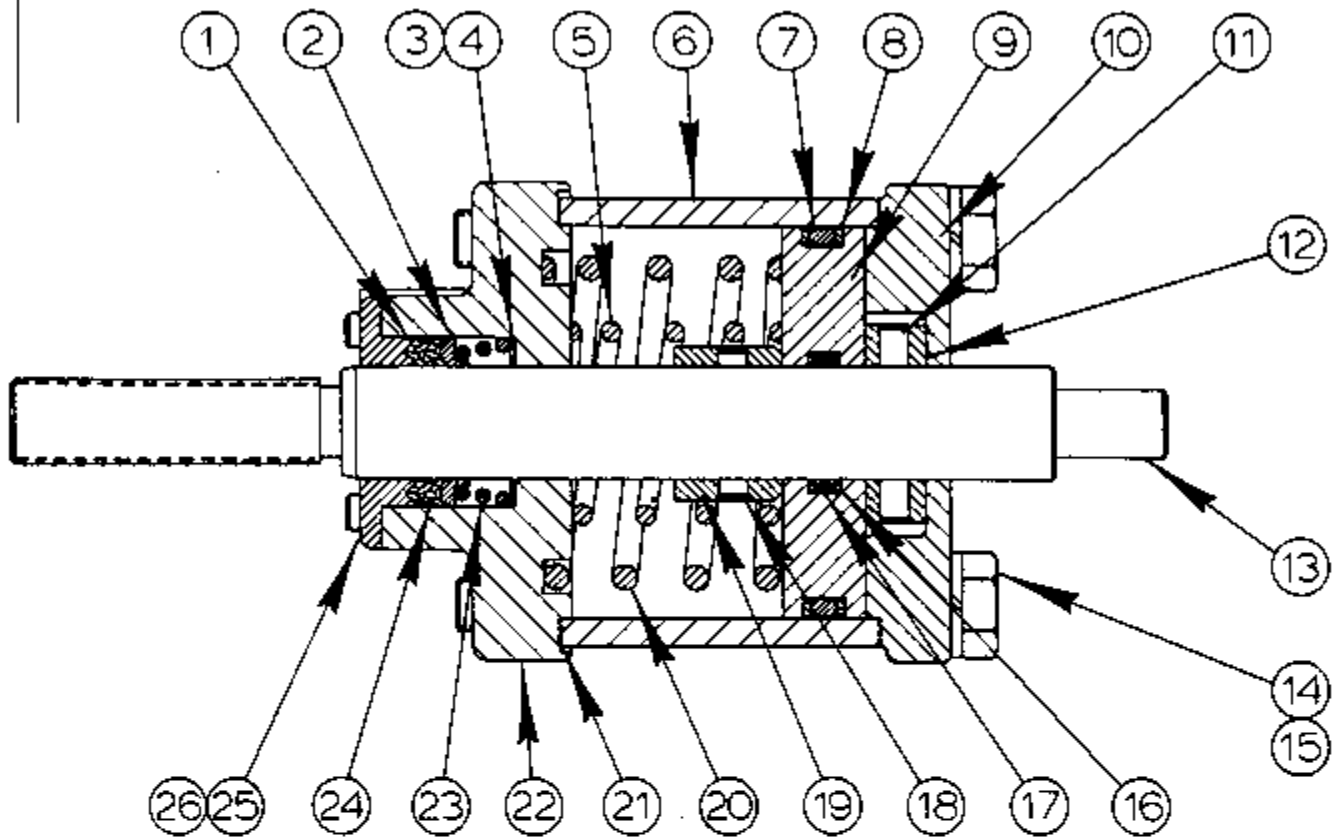
<u>MODEL</u>	<u>FIRST MACH</u>	<u>LAST MACH</u>
C-79	300-70101	300-77245
C-80	190-70101	190-77988
C-180	302-70101	302-77129
C-81	342-74101	342-77121
C-82	343-74101	343-76107
C-179	329-74101	329-76105
C-1216M	374-77101	374-78112
C-1216A	373-77101	373-78180
CE-1216A	387-77101	387-78122
C-1216A-6	378-77101	378-78103

BAND TENSION ASSEMBLY

## BAND TENSION ASSEMBLY

INDEX NO.	PART NO.	DESCRIPTION	UNITS PER ASS'Y
Ref.	090-545260	Band Tension Assembly	
1	090-274119	. Rail.....	2
2	090-446253	. Carriage.....	1
3	090-106568	. 45° Grease Fitting.....	2
4	090-058827	. Shaft.....	1
5	091-144675	. Screw, Soc. Set 3/8-16NC x 1/2 (NYLOC).....	1
6	091-318089	. Lockfire (Grade "HV").....	A.R.
7	090-042557	. Roll Pin.....	4
8	091-980474	. Screw, Hex. Hd. Cap 3/8-16NC x 1-1/4.....	8
9	091-993329	. Washer, Lock 3/8 Std.....	8
10	090-107525	. Screw.....	1
11	090-107517	. Actuator.....	1
12	090-506841	. Base.....	1
13	090-166851	. Bracket.....	1
14	091-982959	. Screw, Soc. Hd. Cap 1/2-13NC x 1-1/2.....	4
15	091-988709	. Screw, Rd. Hd. Mach. #10-24NC x 7/16.....	2
16	090-46139	. Band Tension Cylinder Assembly (See Detail).....	1

NEW DRG
SC.L 12-9-80
REVISIONS



<u>MODEL</u>	<u>FIRST MACH.</u>	<u>LAST MACH.</u>
C-79	300-70101	300-77245
C-80	190-70101	190-77988
C-81	342-74101	342-77121
C-82	343-74101	343-76107
C-179	329-74101	329-76105
C-1216M	374-77101	374-78112
C-1216A	373-77101	373-78180
CE-1216A	387-77101	387-78122
C-1216A-6	378-77101	378-78103

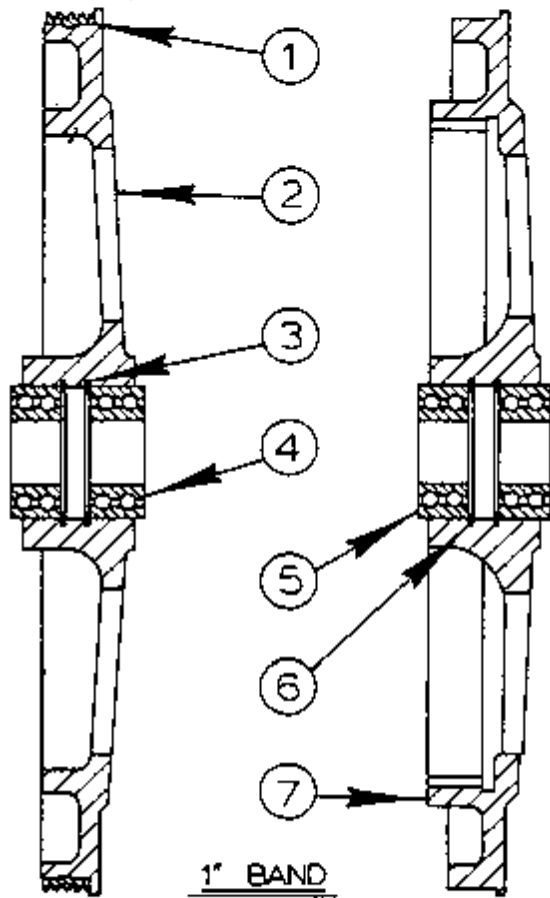
## BAND TENSION CYLINDER ASSEMBLY

BAND TENSION CYLINDER ASSEMBLY

INDEX NO.	CATALOG NO.	DESCRIPTION	UNITS PER ASS'Y.
Ref.	090-446139	Band Tension Cylinder Assembly	
1	091-098780	. Homo Chevron Packing Ring .....	2
2	091-098012	. Adaptor Ring .....	1
3	091-100008	. Shim (.015) .....	A.R.
4	091-100016	. Shim (.030) .....	A.R.
5	090-098500	. Spring .....	1
6	090-098518	. Cylinder .....	1
7	090-098559	. O-Ring .....	1
8	090-098567	. Back-Up Washer .....	2
9	090-367756	. Piston .....	1
10	090-098526	. End Cap .....	1
11	090-098609	. Dowel Pin .....	1
12	090-166497	. Collar .....	1
13	090-224643	. Piston Rod .....	1
14	091-980763	. Screw, Hex. Hd. Cap 1/2-13NC x 4 .....	4
15	091-993279	. Washer, Lock 1/2 Std. ....	4
16	090-104373	. Back-Up Ring .....	2
17	135-095214	. O-Ring .....	1
18	090-042748	. Roll Pin .....	1
19	090-166059	. Collar .....	1
20	090-099045	. Spring .....	1
21	090-098534	. Gasket .....	2
22	090-446121	. Head .....	1
23	091-098020	. Spring .....	1
24	091-098772	. Fab. Chevron Packing Ring .....	1
25	091-098038	. Bearing Cap .....	1
26	091-982207	. Screw, Soc. Hd. Cap #10-24NC x 1/2 .....	4
27	093-090108	. Male Connector .....	1
28	090-185554	. Pipe Cap .....	1
29	105-046122	. Sq. Hd. Pipe Plug .....	1
30	135-008472	. Service Tee .....	1

REVISED AND  
REDRAWN

5CL 4-8-80



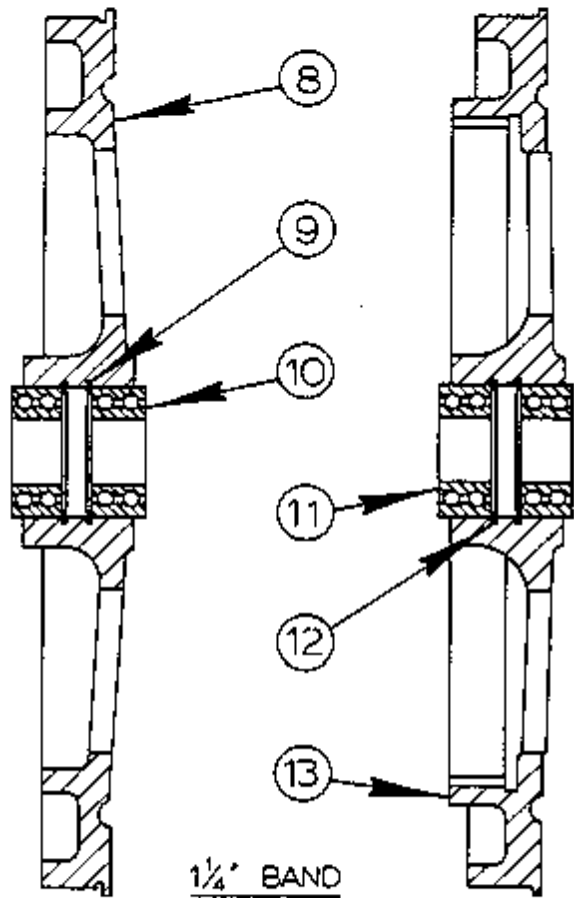
1" BAND

IDLER

094-028917

DRIVEN

094-018934  
&  
094-019478



1/4" BAND

IDLER

094-065448

DRIVEN

094-065430

## BANDWHEEL ASSEMBLIES

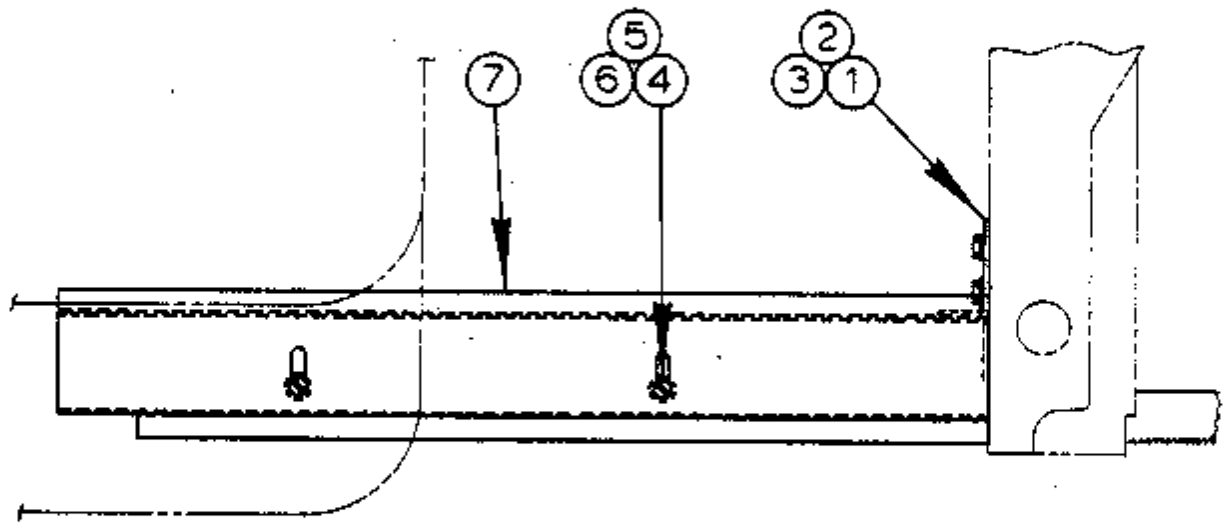
## BANDWHEEL ASSEMBLIES

CODE NO. PS-2-34

INDEX NO.	CATALOG NO.	DESCRIPTION	UNITS PER ASS'Y.
Ref.	094-028917	. Bandwheel Assembly (1" Band, Idler)	
1	094-028859	. Bandwheel Tire.....	1
2	094-028909	. Bandwheel.....	1
3	090-030354	. Retaining Ring.....	2
4	*091-082214	. Bearing.....	2
	091-067488	. Plastic Plug (Not Shown).....	2
Ref.	094-018934	. Bandwheel Assembly (1" Band, Driven)	
Ref.	094-019478	. Bandwheel Assembly (1" Band, Driven, Cast Steel)	
5	*091-082214	. Bearing.....	2
	090-095001	. Bearing (Cast Steel Wheel).....	2
6	090-030354	. Retaining Ring.....	2
7	094-004447	. Bandwheel.....	1
	094-019452	. Bandwheel (Cast Steel).....	1
	091-067488	. Plastic Plug (Not Shown) (# 094-018934 Only).....	2
Ref.	094-065448	. Bandwheel Assembly (1-1/4" Band, Idler)	
8	094-065414	. Bandwheel.....	1
9	090-030354	. Retaining Ring.....	2
10	091-082214	. Bearing.....	2
	091-067488	. Plastic Plug (Not Shown).....	2
Ref.	094-065430	. Bandwheel Assembly (1-1/4" Band, Driven)	
11	091-082214	. Bearing.....	2
12	090-030354	. Retaining Ring.....	2
13	094-062817	. Bandwheel.....	1
	091-067488	. Plastic Plug (Not Shown).....	2

NOTE: Starred Items #091-082214 Bearing Was #090-095001 Bearing Before Serial #300-73136 on C-79, #190-73392 on C-80, #302-73111 on C-180. These Bearings Are NOT Interchangeable.

REVISED AND REDRAWN
S.C.L. 11-12-62



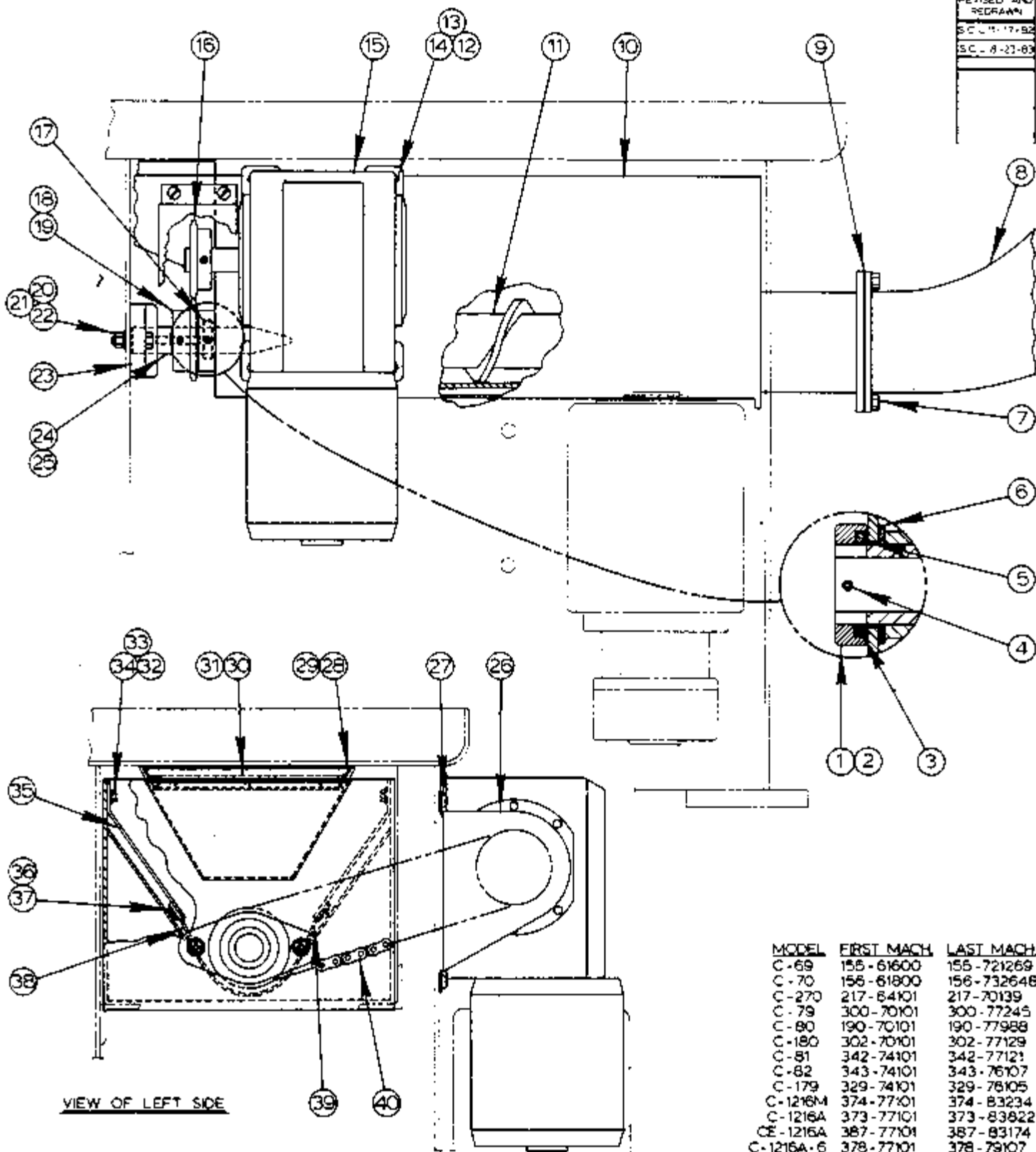
SEE PARTS LIST  
FOR MACHINE  
MODELS.

### L.H. BLADE GUARD ASSEMBLY

L.H. BLADE GUARD ASSEMBLY

INDEX NO.	PART NO.	DESCRIPTION	UNITS PER ASS'Y
Ref.	090-372756	L.H. Blade Guard Assembly (C-79, C-80, C-81, C-82, C-179, C-180)	
Ref.	093-057784	L.H. Blade Guard Assembly (C-1216M, C-1216A, CE-1216A, C-1216A-6, CT-1216M, CT-1216A)	
1	090-372749	. Saw Guard Bracket Weldment (C-79, C-80, C-81, C-82, C-179, C-180).....	1
	093-057768	. Blade Guard Bracket Weldment (C-1216M, C-1216A, CE-1216A, C-1216A, CT-1216M, CT-1216A).....	1
2	091-980078	. Screw, Hex. Hd. Cap 1/4-20NC x 5/8.....	2
3	091-993212	. Washer, Lock 1/4 Std.....	2
4	091-988840	. Screw, Rd. Hd. Mach. #10-32NF x 3/8.....	2
5	091-991133	. Nut, Hex. #10-32NF.....	2
6	091-992587	. Washer, Flat #10 S.A.E. Std.....	2
7	094-008448	. Guard Cover (C-79, C-80, C-81, C-82, C-179, C-180).....	1
	094-073442	. Guard Cover (C-1216M, C-1216A, CE-1216A, C-1216A-6, CT-1216M, CT-1216A).....	1

REVISED AND  
 REPROGRAM  
 S.C. 11-17-82  
 S.C. 8-23-83



VIEW OF LEFT SIDE

MODEL	FIRST MACH	LAST MACH
C-69	155-61600	155-721269
C-70	156-61800	156-732648
C-270	217-64101	217-70139
C-79	300-70101	300-77245
C-80	190-70101	190-77988
C-180	302-70101	302-77129
C-81	342-74101	342-77121
C-82	343-74101	343-76107
C-179	329-74101	329-78105
C-1216M	374-77101	374-83234
C-1216A	373-77101	373-83822
CE-1216A	387-77101	387-83174
C-1216A-6	378-77101	378-79107
CT-1216A	385-77101	385-80108
CT-1216M	386-77101	386-83104

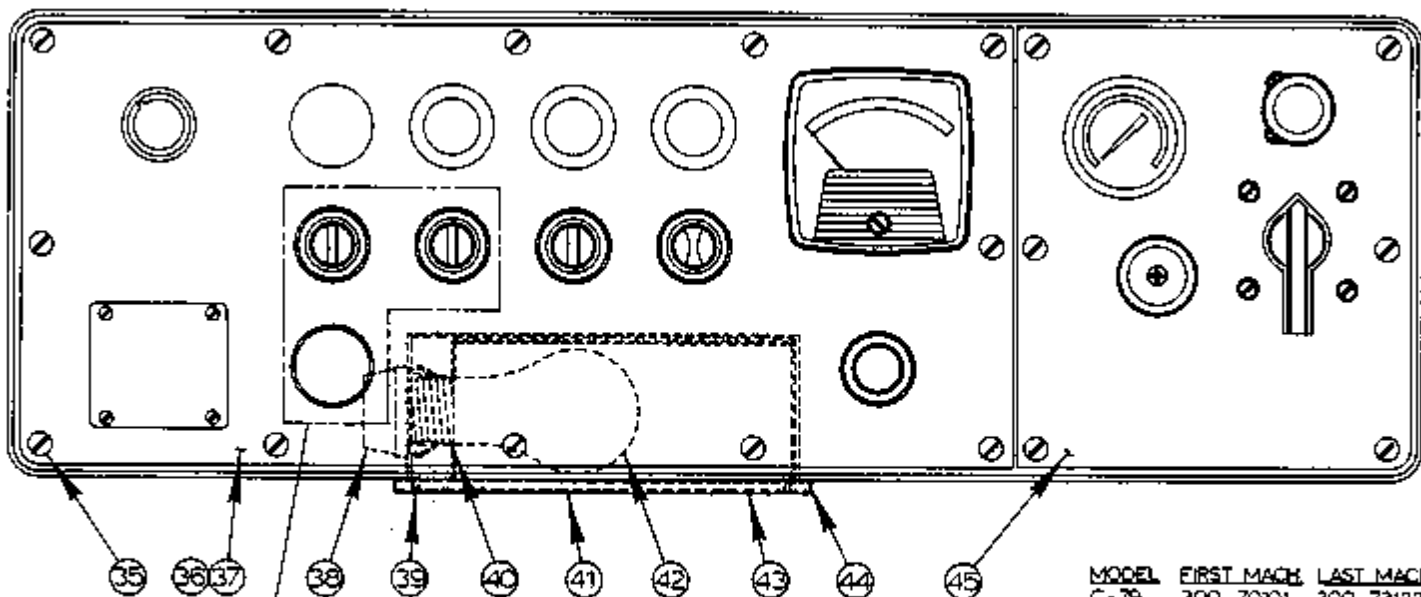
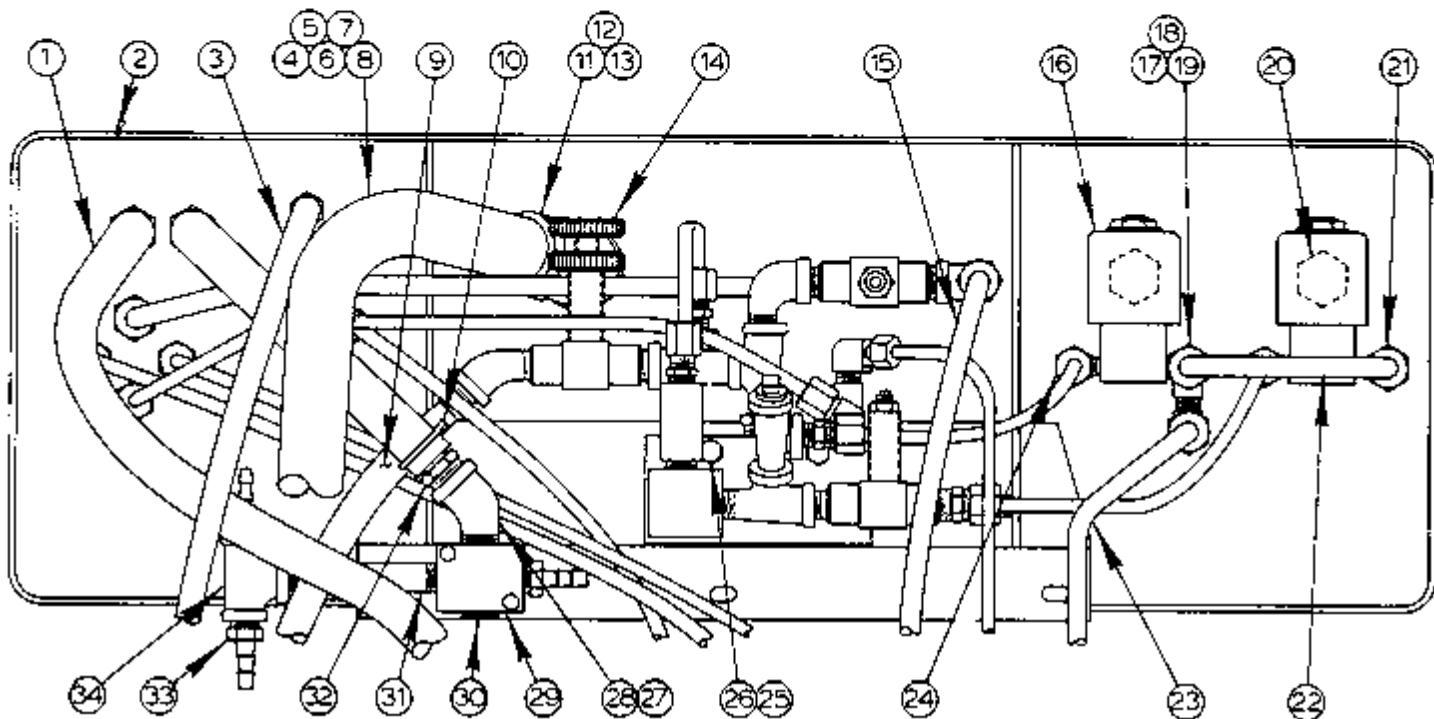
CHIP CONVEYOR ASSEMBLY

## CHIP CONVEYOR ASSEMBLY

INDEX NO.	PART NO.	DESCRIPTION	UNITS PER ASS'Y
Ref.	080-555972	Chip Conveyor Assembly (All Machines Listed Except CE-1216A)	
Ref.	085-069482	Chip Conveyor Assembly (CE-1216A)	
1	091-098111	. Collar.....	1
2	091-984112	. Screw, Soc. Set #10-24NC x 3/8.....	1
3	090-184672	. O-Ring.....	1
4	090-042516	. Roll Pin.....	1
5	091-097493	. Washer.....	1
6	091-632307	. Thrust Washer.....	1
7	091-980276	. Screw, Hex. Hd. Cap 5/16-28NC x 3/4.....	4
8	090-465279	. Discharge Chute Weldment.....	1
9	091-038695	. Gasket.....	1
**10	090-561051	. Chip Conveyor Drawer Assembly.....	1
11	090-307968	. Screw Conveyor Assembly.....	1
12	091-980300	. Screw, Hex. Hd. Cap 5/16-18NC x 1-1/4 (60 Hz).....	4
	091-980474	. Screw, Hex. Hd. Cap 3/8-16NC x 1-1/4 (50 Hz).....	4
13	091-993238	. Washer, Lock 5/16 Std. (60 Hz).....	4
	091-993253	. Washer, Lock 3/8 Std. (Cad. Pltd.) (50 Hz).....	4
14	091-992628	. Washer, Flat 5/16 S.A.E. Std. (60 Hz).....	4
	091-992644	. Washer, Flat 3/8 S.A.E. Std. (50 Hz).....	4
15	091-383562	. Gear Motor (1/4 H.P.; 50 Hz) (Assy. 080-555972).....	1
	*091-307082	. Gear Motor (1/4 H.P.; 60 Hz) (Assy. 080-555972).....	1
	091-479196	. Gear Motor (0.18 kw; 50 Hz) (Assy. 085-069482).....	1
16	091-307132	. Sprocket (60 Hz).....	1
	091-605436	. Sprocket (50 Hz).....	1
17	106-255284	. Dowel Pin.....	1
18	090-180993	. Sprocket.....	1
19	091-984245	. Screw, Soc. Set 1/4-20NC x 3/8.....	3
20	091-980468	. Screw, Hex. Hd. Cap 3/8-16NC x 1.....	2
21	091-993329	. Washer, Lock 3/8 Std.....	2
22	091-991265	. Nut, Hex. 3/8-16NC.....	2
23	091-010751	. Bearing.....	1
24	091-038711	. Shaft.....	1
25	114-063381	. Key.....	1
26	090-465394	. Guard Weldment (60 Hz).....	1
	094-096534	. Guard Weldment (50 Hz).....	1
27	091-988907	. Screw, Rd. hd. mach. 1/4-20NC x 1/4.....	4
28	090-279589	. Lip.....	2
29	090-141953	. Backup Strip.....	2
30	090-279605	. Lip.....	1
31	090-141979	. Backup Strip.....	1
32	091-980052	. Screw, Hex. Hd. Cap 1/4-20NC x 3/8.....	8
33	091-993212	. Washer, Lock 1/4 Std.....	8
34	091-992602	. Washer, Flat 1/4 S.A.E. Std.....	8
35	090-307752	. Deflector.....	2
36	091-990085	. Screw, Truss Hd. Mach. #8-32NC x 1/4.....	21
37	090-279332	. Backup Strip.....	2
38	090-279324	. Screen Assembly.....	1
39	090-279324	. Screen Assembly.....	1
40	*091-163170	. Roller Chain (60 Hz).....	1
	091-130823	. Roller Chain (50 Hz).....	1

\*NOTE: Item #15 Was 091-038745 And Item #40 Was 091-038737 Before Serial #155-691157 On C-69, #156-682235 On C-70, And #217-69134 On C-270.

\*\*NOTE: Item #10 Was 090-555178 Before Serial #155-63812 On C-69, #156-631221 On C-70, And #217-64102 On C-270.



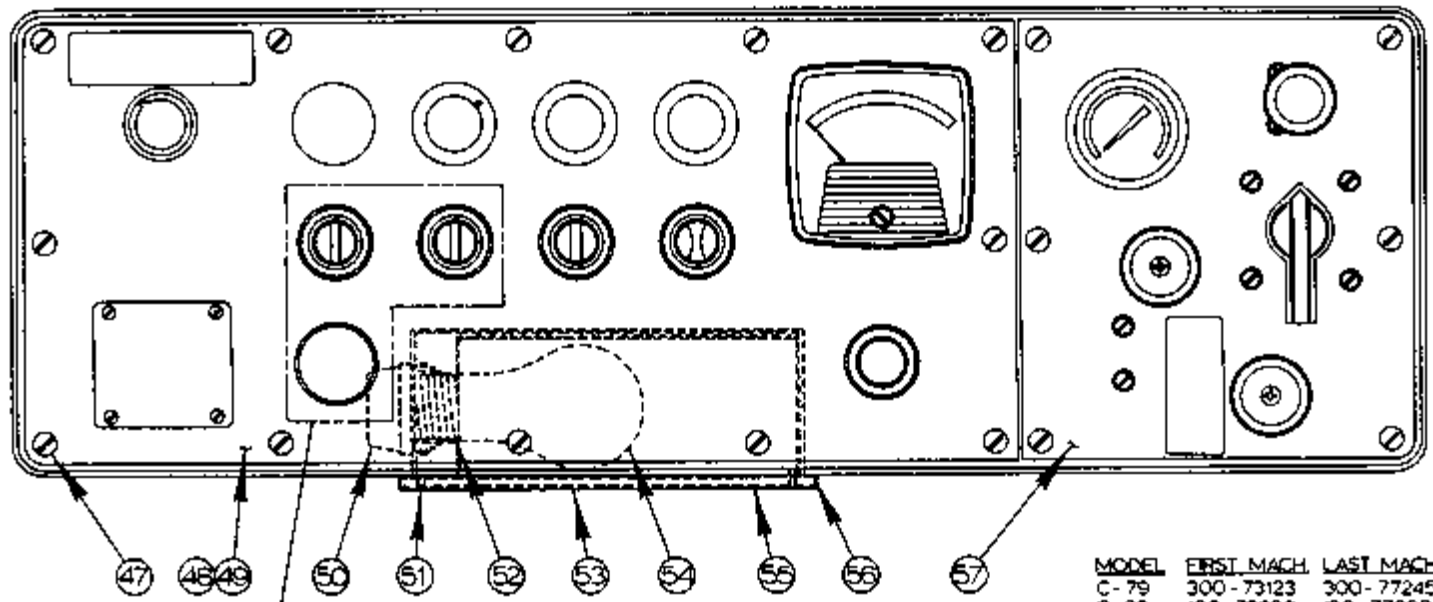
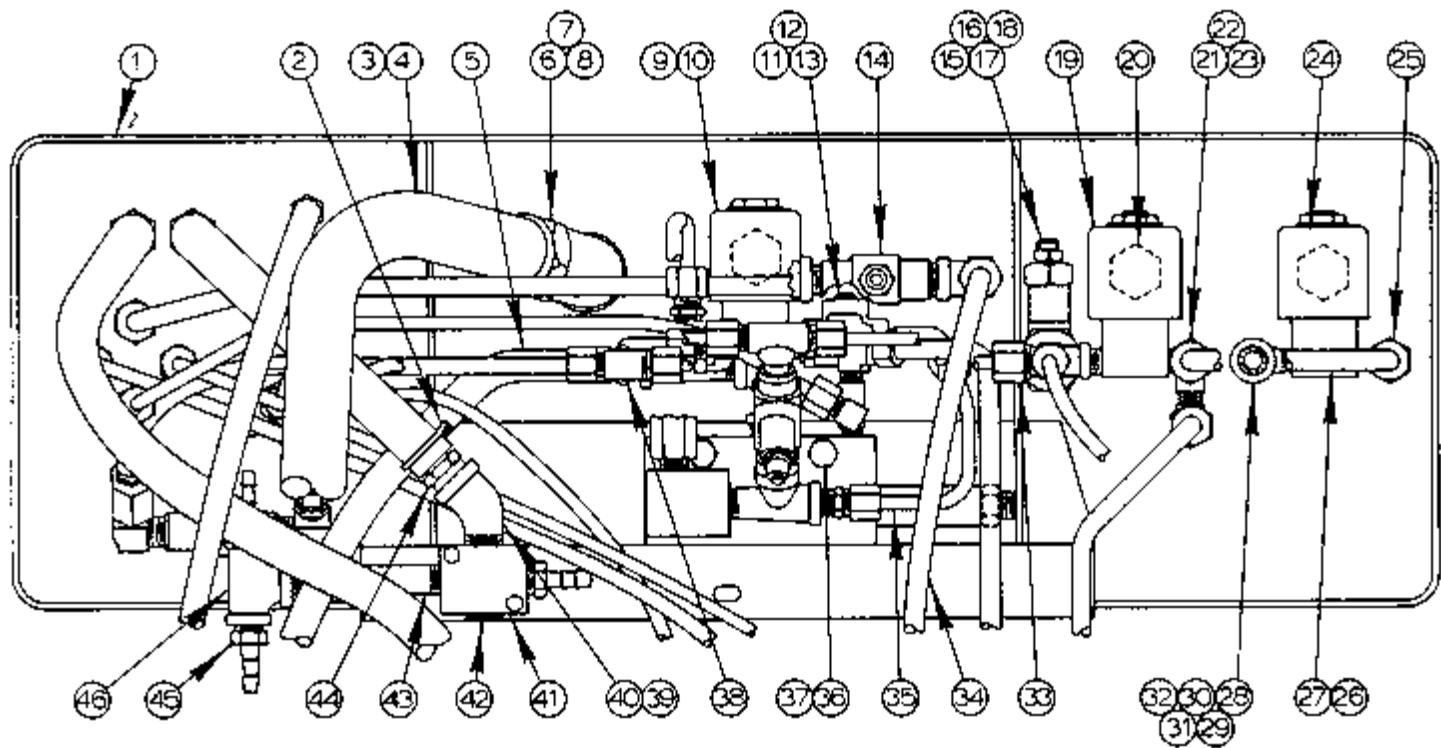
DOES NOT APPLY  
FOR MODEL C-79

MODEL	FIRST MACH	LAST MACH
C-79	300-70101	300-73122
C-80	190-70101	190-73282

CONTROL CONSOLE ASSEMBLY  
(HEAD MOUNTED)

## CONTROL CONSOLE ASSEMBLY

INDEX NO.	PART NO.	DESCRIPTION	UNITS PER ASS'Y
Ref.	095-024873	Control Console Assembly (Head Mounted)	
1	091-970988	. Hose 27/32 O.D.....	A.R.
2	095-022703	. Console Weldment.....	1
3	090-159708	. Hydraulic Hose (C-79).....	1
4	091-292615	. Hydraulic Hose (C-80, C-81, C-82).....	1
5	091-971598	. Sealtite Conduit 1".....	A.R.
6	091-338269	. Wire Connector.....	A.R.
7	090-179276	. Female Sealtite Connector.....	1
8	091-971713	. Wire Marker.....	A.R.
9	090-007345	. Wire, #14 Red (Stranded).....	A.R.
10	091-220509	. Hydraulic Hose (C-79).....	1
11	091-292607	. Hydraulic Hose (C-80, C-81, C-82).....	1
12	090-179037	. Hose Clamp.....	4
13	090-146887	. 45° Sealtite Connector.....	1
14	090-148081	. O-Ring.....	2
15	090-146879	. Flange Washer.....	2
16	094-039054	. Control Valving Assembly (Standard) (See Detail).....	1
17	094-038254	. Control Valving Assembly (W/Slow Approach) (See Detail).....	1
18	091-971382	. Nylon Tubing 3/8 O.D.....	A.R.
19	091-221200	. Solenoid Valve (50/60 Hz; 110/120 V).....	2
20	093-090116	. Male Connector.....	1
21	091-286625	. Street Tee.....	1
22	135-069896	. 90° Street Elbow.....	1
23	090-158189	. Conduit Nipple.....	2
24	093-090587	. 90° Male Elbow.....	2
25	091-971309	. Steel Tubing 3/8 O.D.....	A.R.
26	091-971382	. Nylon Tubing 3/8 O.D.....	A.R.
27	093-090538	. 90° Male Elbow.....	2
28	091-980342	. Screw, Hex. Hd. Cap 5/16-18NC x 2-1/2.....	2
29	091-993758	. Washer, Lock 5/16 Shakeproof Ext.....	2
30	093-015097	. Piping Assembly.....	1
31	090-022310	. 45° Street Elbow.....	1
32	091-211888	. Manifold.....	1
33	105-046122	. Sq. Hd. Pipe Plug.....	1
34	090-138082	. Pipe Nipple.....	1
35	091-022988	. Barbed Insert.....	1
36	091-033167	. Barbed Insert.....	3
37	135-024743	. Tee.....	1
38	091-990150	. Screw, Truss Hd. Mach. #10-24Nc x 3/8.....	18
39	095-008611	. Pushbutton Panel Assembly (C-79) (See Detail).....	1
40	095-005393	. Pushbutton Panel Assembly (C-80, C-81, C-82) (See Detail).....	1
41	094-023801	. Gasket.....	1
42	091-224725	. Lampholder.....	1
43	091-987396	. Screw, Flat Hd. Mach. #6-32NC x 3/8 (C-79).....	4
44	091-987743	. Screw, Flat Hd. Mach. #6-32NC x 1/2 (C-80, C-81, C-82).....	4
45	094-026143	. Reflector.....	1
	094-026135	. Frame.....	1
	091-289538	. Lamp.....	1
	090-394990	. Window.....	1
	090-393257	. Gasket.....	1
	095-005385	. Control panel Assembly (Hydraulic) (See Detail).....	1



DOES NOT APPLY  
FOR MODEL C-79

MODEL	FIRST MACH.	LAST MACH.
C-79	300-73123	300-77245
C-80	190-73263	190-77968
C-81	342-74101	342-77121
C-82	343-74101	343-76107

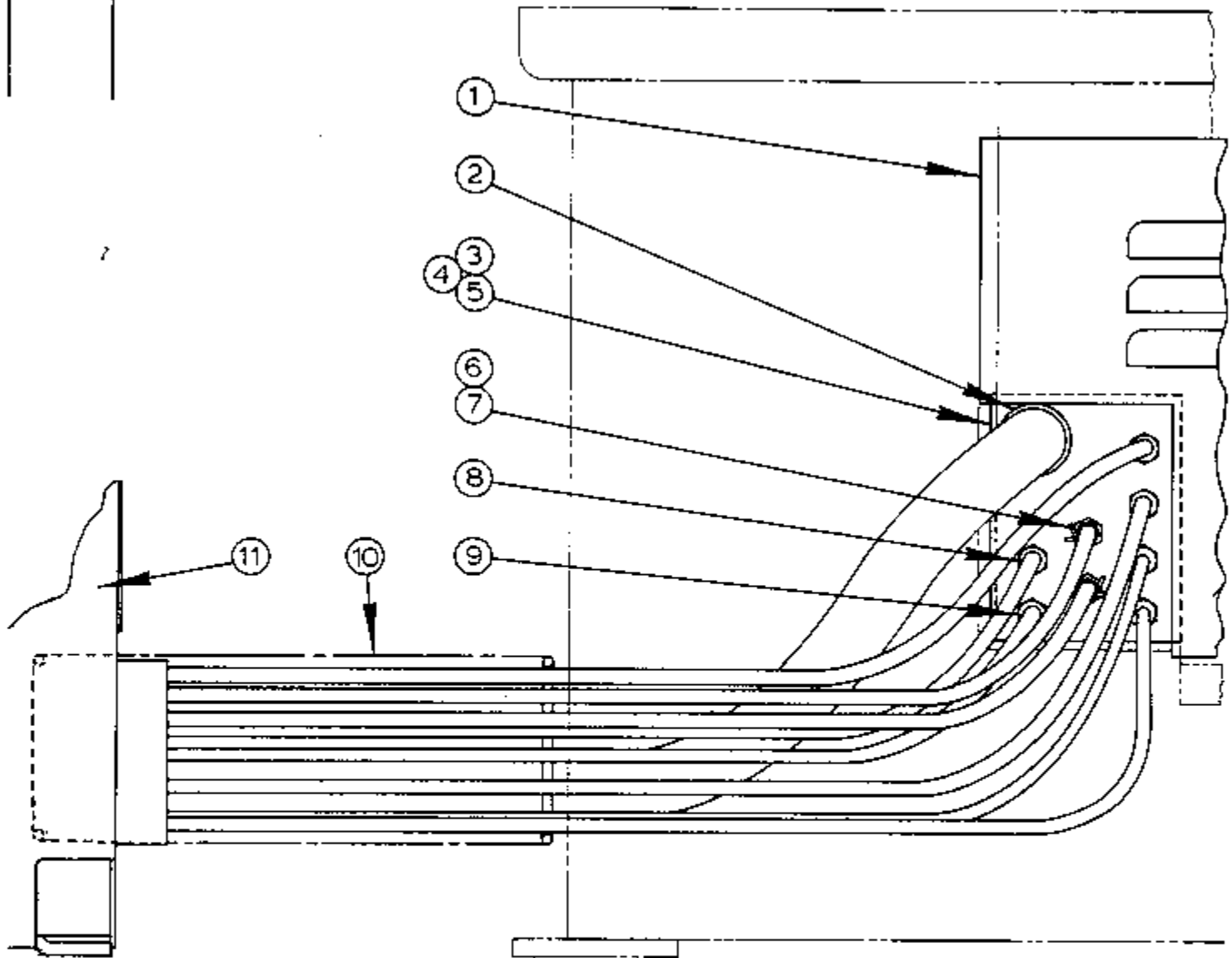
CONTROL CONSOLE ASSEMBLY  
( HEAD MOUNTED )

## CONTROL CONSOLE ASSEMBLY

INDEX NO.	PART NO.	DESCRIPTION	UNITS PER ASS'Y
Ref.	095-045936	Control Console Assembly (Head Mounted) (C-79)	
Ref.	096-025300	Control Console Assembly (Head Mounted) (C-80, C-81, C-82)	
1	095-022703	. Console Weldment.....	1
2	090-179037	. Hose Clamp.....	2
3	091-971598	. Sealite Conduit 1".....	A.R.
4	090-179276	. Female Sealite Connector.....	1
5	091-292607	. Hydraulic Hose.....	1
6	090-146887	. 45° Sealite Connector.....	1
7	090-148081	. O-Ring.....	2
8	090-146879	. Flange Washer.....	2
9	091-230789	. Solenoid Valve (60 Hz; 120 V).....	1
	091-230797	. Solenoid Valve (50 Hz; 110 V).....	1
	093-090041	. Male Connector.....	1
10	091-203695	. Pipe Plug.....	1
11	091-125609	. Pipe Tee.....	1
12	093-090942	. 45° Male Elbow.....	1
13	094-041258	. Control Valving Assembly (See Detail).....	1
14	091-408476	. Needle Valve.....	2
15	114-145287	. Close Nipple (3/4" Long).....	2
16	114-036074	. Close Nipple (7/8" Long).....	5
17	090-152224	. Reducer Elbow (C-79 Only).....	1
18	091-221200	. Solenoid Valve (50/60 Hz; 110/120 V).....	1
19	090-158189	. Conduit Nipple.....	3
20	093-090116	. Male Connector.....	1
21	091-286625	. Street Tee.....	1
22	105-275069	. 90° Street Elbow.....	1
23	091-221200	. Solenoid Valve (50/60 Hz; 110/120 V).....	1
24	093-090587	. 90° Male Elbow.....	2
25	091-971309	. Steel Tubing 3/8 O.D.....	A.R.
26	093-090538	. 90° Male Elbow.....	1
27	091-238352	. 90° Reducer Elbow.....	1
28	135-008472	. Service Tee.....	1
29	117-135210	. 90° Street Elbow.....	1
30	091-032938	. Check Valve.....	1
31	093-090546	. 90° Male Elbow.....	2
32	093-091221	. Male Run Tee.....	1
33	091-971382	. Nylon Tubing 3/8 O.D. (C-79).....	A.R.
34	091-971309	. Steel Tubing 3/8 O.D. (C-80, C-81, C-82).....	A.R.
35	091-971374	. Nylon Tubing 1/4 O.D.....	A.R.
36	091-980342	. Screw, Hex. Hd. Cap 5/16-18 NC x 2-1/2.....	2
37	091-993758	. Washer, Lock 5/16 Shakeproof Ext.....	2
38	093-092427	. Union Tee.....	1
39	093-015097	. Piping Assembly.....	1
40	090-022310	. . 45° Street Elbow.....	1
41	091-211888	. . Manifold.....	1
42	105-046122	. . Sq. Hd. Pipe Plug.....	1
43	090-138082	. . Pipe Nipple.....	1
44	091-022988	. . Barbed Insert.....	1
45	091-033167	. . Barbed Insert.....	3
46	135-024743	. . Tee.....	1
47	091-990150	. Screw, Truss Hd. Mach. #10-24NC x 3/8.....	18
48	095-008611	. Pushbutton Panel Assembly (C-79) (See Detail).....	1
	095-005393	. Pushbutton Panel Assembly (C-80, C-81, C-82) (See Detail).....	1
49	094-023801	. Gasket.....	1
50	091-224725	. Lampholder.....	1
51	091-987396	. Screw, Flat Hd. Mach. #6-32NC x 3/8 (C-79).....	4
	091-987743	. Screw, Flat Hd. Mach. #6-32NC x 1/2 (C-80, C-81, C-81).....	4
52	094-026143	. Reflector.....	1
53	094-026135	. Frame.....	1
54	091-289538	. Lamp.....	1
55	090-394990	. Window.....	1
56	090-393257	. Gasket.....	1
57	095-025292	. Control Panel Assembly (Hydraulic) (See Detail).....	1

REVISED AND  
REDRAWN

SCL 10-3-82

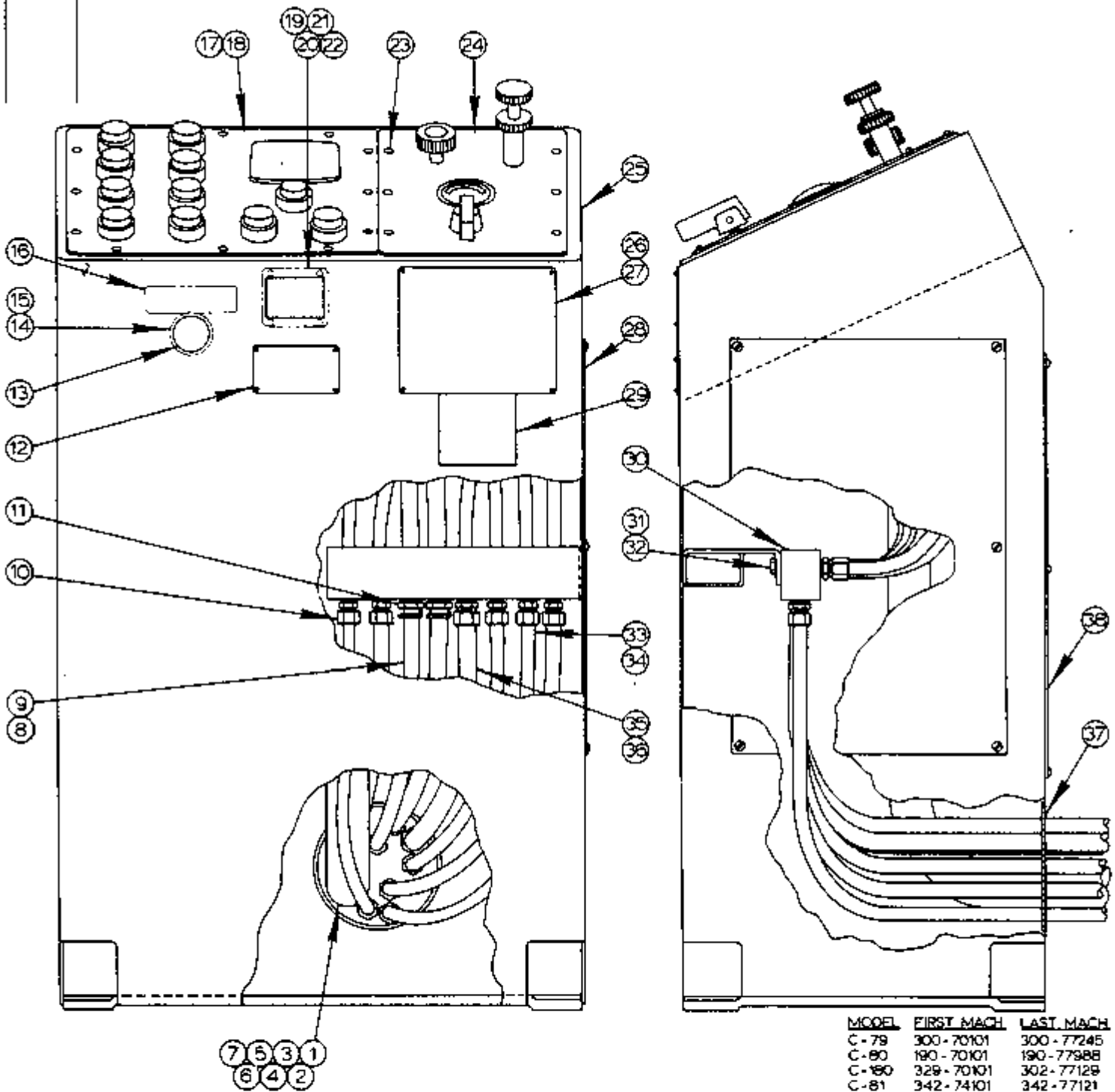


<u>MODEL</u>	<u>FIRST MACH.</u>	<u>LAST MACH.</u>
C-79	300-70101	300-77245
C-80	190-70101	190-77988
C-81	342-74101	342-77121
C-82	343-74101	343-76107
C-1216M	374-77101	374-83234
C-1216A	373-77101	373-83822
CE-1216A	387-77101	387-83174
C-1216A-6	378-77101	378-79107

CONTROL CONSOLE ASSEMBLY  
( REMOTE )

## CONTROL CONSOLE ASSEMBLY

INDEX NO.	PART NO.	DESCRIPTION	UNITS PER ASS'Y
Ref.	085-041978	Control Console Assembly (Remote) (C-79)	
Ref.	085-002699	Control Console Assembly (Remote) (C-80, C-81, C-82)	
Ref.	081-474983	Control Console Assembly (Remote) (C-1216M, C-1216A, CE, 1216A, C-1216A-6)	
1	094-019551	. Cover Weldment.....	1
2	090-104191	. Grommet.....	1
3	091-202168	. Manifold Weldment.....	1
4	091-980011	. Screw, Hex. Hd. Cap #10-24NC x 1/2.....	2
5	091-993196	. Washer, Lock #10 Std.....	2
6	091-022988	. Barbed Insert.....	2
7	090-179037	. Hose Clamp.....	2
8	093-092294	. Bulkhead Union.....	5
9	093-092310	. Bulkhead Union.....	1
10	091-224642	. Metal Hose Guard Spring.....	1
11	095-041968	. Control Console Assembly (Remote) (C-79) (See Detail)...	1
	095-002705	. Control Console Assembly (Remote) (C-80, C-81, C-82) (See Detail).....	1
	091-478875	. Control Console Assembly (Remote) (C-1216M) (See Detail)	1
	091-474973	. Control Console Assembly (Remote) (C-1216A, CE-1216A, C-1216A-6) (See Detail).....	1



MODEL	FIRST MACH	LAST MACH
C-79	300-70101	300-77245
C-80	190-70101	190-77988
C-80	329-70101	302-77129
C-81	342-74101	342-77121
C-82	343-74101	342-78107
C-1216M	374-77101	374-83234
C-1216A	373-77101	373-83822
CE-1216A	387-77101	387-83174
C-1216A-6	378-77101	378-79107
CT-1216A	395-77101	395-80108

CONTROL CONSOLE ASSEMBLY  
(REMOTE)

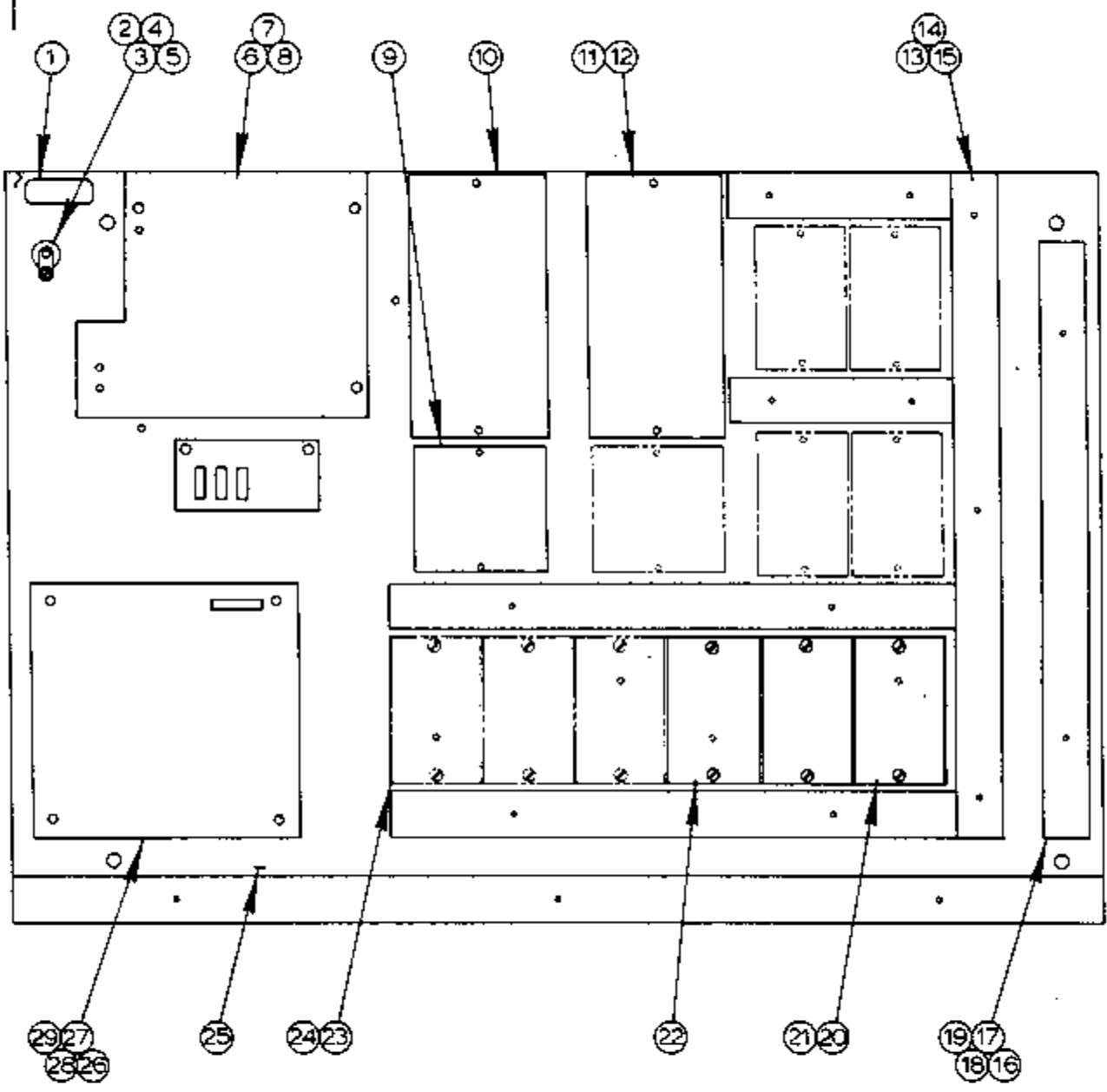
CONTROL CONSOLE ASSEMBLY

INDEX NO.	PART NO.	DESCRIPTION	UNITS PER ASS'Y
Ref.	095-041968	Control Console Assembly (Remote) (C-79)	
Ref.	095-002705	Control Console Assembly (Remote) (C-80, C-81, C-82, C-180)	
Ref.	091-478875	Control Console Assembly (Remote) (C-1216M)	
Ref.	091-474973	Control Console Assembly (Remote) (C-1216A, C-1216A-6, CE-1216A, CT-1216A)	
1	091-971606	. Sealite Conduit 1-1/4"	A.R.
2	090-146929	. 90° Connector	1
3	090-146945	. Washer	1
4	090-014325	. O-Ring	1
5	091-971861	. Wire, #12 Flameal Green W/Yellow	A.R.
6	091-971903	. Wire, #14 Red (Nylon Jacket)	A.R.
7	091-338269	. Wire Connector	A.R.
8	091-970988	. Hose, 27/32 O.D. (C-79, C-1216M)	A.R.
	091-970947	. Hose, 11/15 O.D. (C-80, C-81, C-82, C-180, C-1216A, CE-1216A, C-1216A-6, CT-1216A)	A.R.
9	090-179037	. Hose Clamp (C-79, C-1216M)	6
	091-044784	. Hose Clamp (C-80, C-81, C-82, C-180, C-1216A, CE-1216A, C-1216A-6, CT-1216A)	4
10	093-090041	. Male Connector	4
11	091-022988	. Barbed Insert (C-79, C-1216M)	6
	090-149287	. Barbed Insert (C-80, C-81, C-82, C-180, C-1216A, CE-1216A, C-1216A-6, CT-1216A)	4
12	090-161563	. Escutcheon (Warning) (English)	1
	091-061978	. Escutcheon (Warning) (International)	1
13	091-223180	. Hole Seal (C-1216M, C-1216A, CE-1216A, C-1216A-6, CT-1216A Only)	1
*14	091-314708	. Pushbutton Operator	1
*15	090-149626	. Contact Block (I-NO, I-NC)	1
*16	091-313585	. Escutcheon (Head Approach) (English)	1
	091-313593	. Escutcheon (Head Approach) (International)	1
17	095-037544	. Pushbutton Panel Assembly (C-79) (See Detail)	1
	095-002689	. Pushbutton Panel Assembly (C-80, C-81, C-82, C-180) (See Detail)	1
		. Pushbutton Panel Assembly (C-1216M, C-1216A, CE-1216A, C-1216A-6, CT-1216A) (See Detail)	1
18	091-204685	. Gasket	1
19	091-293324	. Cover Plate	1
	091-140640	. Counter (If Supplied)	1
20	091-224501	. Gasket	1
	091-140657	. Gasket (For Counter)	1
21	091-988386	. Screw, Rd. Hd. Mach. #6-32NC x 1/4	4
22	091-224659	. Escutcheon (Stock Counter) (English)	1
	091-481903	. Escutcheon (Stock Counter) (International)	1
23	091-990150	. Screw, Truss Hd. Mach. #10-24Mc x 3/8	32
24	095-002671	. Control Panel Sub-Assembly (Hydraulic) (C-79, C-80, C-81, C-82, C-180) (See Detail)	1
		. Control Panel Sub-Assembly (Hydraulic) (C-1216M, C-1216A, CE-1216A, C-1216A-6, CT-1216A) (See Detail)	1
25	090-598830	. Control Console Weldment	1
26	093-043016	. Escutcheon (Machine Specs.) (English)	1
	093-065175	. Escutcheon (Machine Specs.) (International)	1
27	091-993964	. Screw, Rd. Hd. Drive #2 x 3/16	8
28	094-019536	. Door	1
29	091-292730	. Escutcheon (Patent No's.)	1
30	090-381732	. Manifold	1
31	091-980060	. Screw, Hex. Hd. Cap 1/4-20MC x 1/2	2
32	091-993212	. Washer, Lock 1/4 Std.	2
33	093-090058	. Male Connector	6
34	091-971374	. Nylon Tubing 1/4 O.D.	A.R.
35	093-090108	. Male Connector	2
36	091-971382	. Nylon Tubing 3/8 O.D.	A.R.
37	091-972364	. Grommet Strip	A.R.
38	095-002663	. Panel	1

FOLLOWING ITEMS NOT SHOWN:

091-349688	. Terminal Block	40
091-349686	. Channel Clamp	2
091-349704	. End Section	2
091-349712	. Channel	A.R.
091-988859	. Screw, Rd. Hd. Mach. #10-24MC x 1/4	4
091-971879	. Wire, #14 White (Nylon Jacket)	A.R.

\*NOTE: Items #14 Thru #16 Used On C-79, C-80, C-81, C-82, C-180 Only And part of 094-046729 Slow Approach Assembly.



MODEL	FIRST MACH.	LAST MACH.
C-80	190-70101	190-77988
C-180	302-70101	302-77129

CONTROL PANEL ASSEMBLY  
 ( RELAY )

## CONTROL PANEL ASSEMBLY

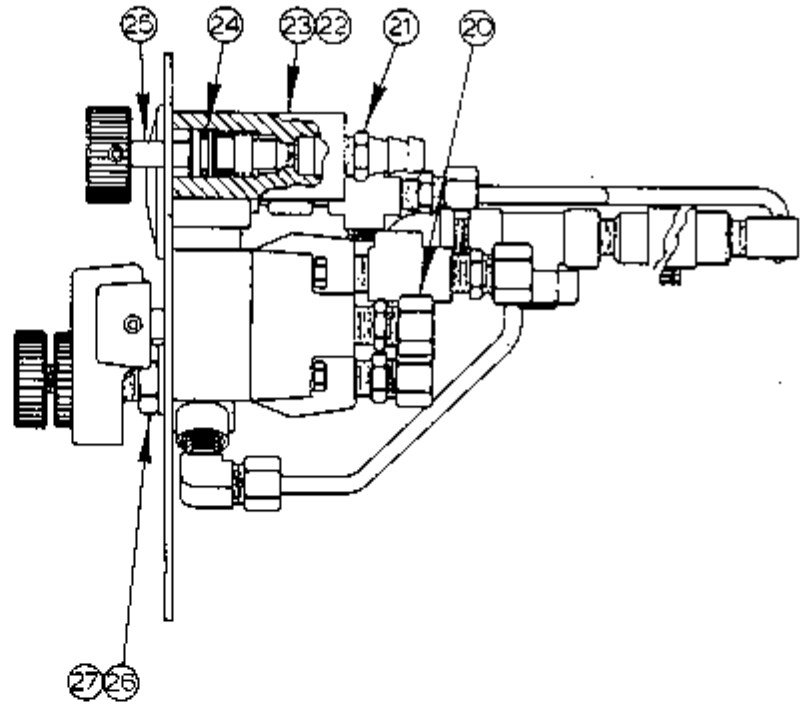
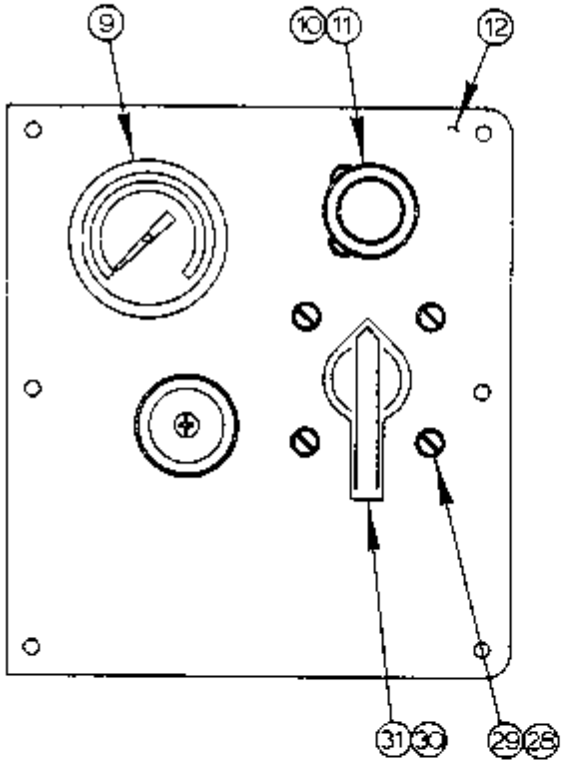
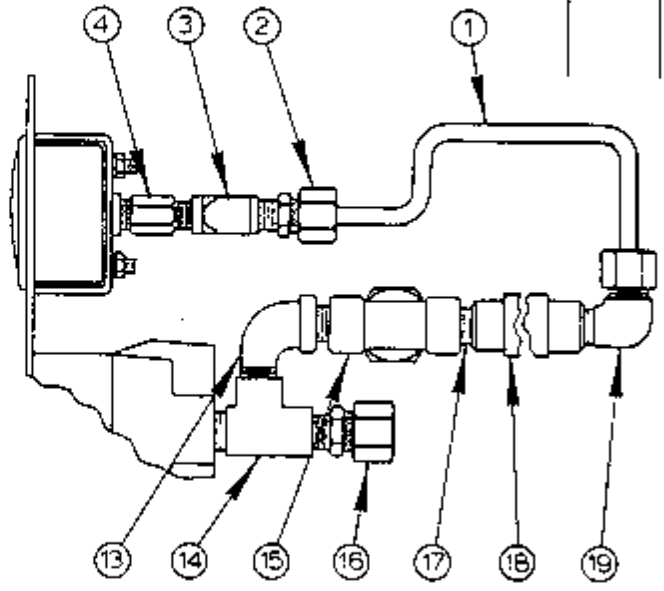
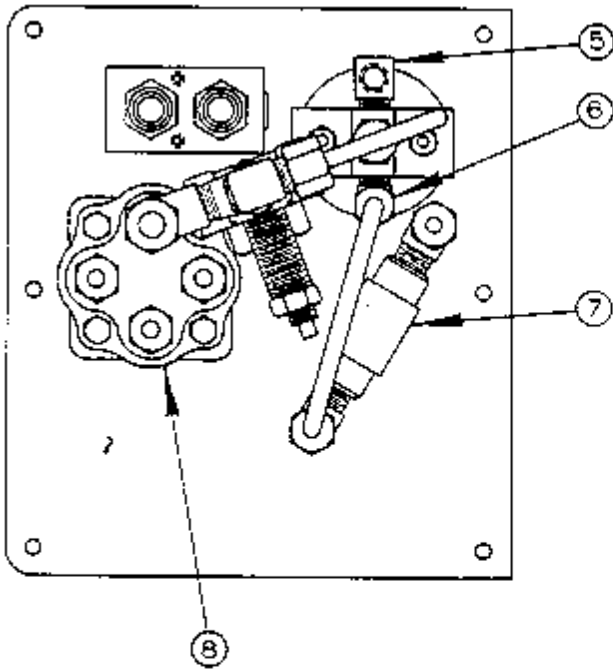
INDEX NO.	CATALOG NO.	DESCRIPTION	UNITS PER ASS'Y.
Ref.	095-001574	Control Panel Assembly (Relay)	
1	091-391854	. Escutcheon (Copper Wire Only) .....	1
2	091-047704	. Ground Tag .....	1
3	091-391946	. Ground Terminal .....	1
4	091-988717	. Screw, Rd. Hd. Mach. #10-24NC x 5/8 .....	1
5	091-993733	. Washer, Lock #10 Shakeproof Ext. ....	1
6	090-111162	. Fused Disconnect Switch .....	1
7	091-338665	. Fuse (30 Amp) .....	A.R.
8	091-338632	. Fuse (15 Amp) .....	A.R.
9	091-287094	. Overload Relay .....	1
10	091-182832	. Magnetic Starter .....	1
11	091-172254	. Magnetic Starter .....	1
12	091-988659	. Screw, Rd. Hd. Mach. #10-24NC x 1/4 .....	6
13	091-972349	. 1" Fibre Wiring Channel .....	A.R.
14	091-972109	. 1" Fibre Wiring Channel Cover .....	A.R.
15	091-077776	. Rivet .....	12
16	091-349688	. Terminal Block .....	74
17	091-349696	. Channel Clamp .....	4
18	091-349704	. End Section .....	2
19	091-349712	. Channel .....	A.R.
20	091-190512	. Control Relay .....	3
21	091-196089	. Front Deck Relay .....	1
22	091-196097	. Relay Timer Attachment .....	1
23	091-388082	. Relay Mounting Strip .....	A.R.
24	091-988519	. Screw, Rd. Hd. Mach. #8-32NC x 1/4 .....	18
*25	095-043691	. Control Box Panel .....	1
26	090-461344	. Transformer .....	1
27	091-338426	. Fuse (5 Amp) .....	1
28	091-988931	. Screw, Rd. Hd. Mach. 1/4-20NC x 3/8 .....	9
29	091-993741	. Washer, Lock 1/4 Shakeproof Ext. ....	9

## Following Not Shown:

091-150250	. Terminal Block Jumper .....	4
091-326587	. Relay Jumper (Outer Poles) .....	10
091-326579	. Relay Jumper (Middle Poles) .....	5
091-368902	. Label (U.L. Approval) .....	1
091-971853	. Wire, #12 Black (Nylon Jacket) .....	A.R.
091-971903	. Wire, #14 Red (Nylon Jacket) .....	A.R.
091-971879	. Wire, #14 White (Nylon Jacket) .....	A.R.

\*NOTE: Item #25 was 095-001509 Before Serial #190-76907 on C-80 and 302-76128 on C-180.

REVISED 4  
 REDRAWN  
 SCL 13-21 62

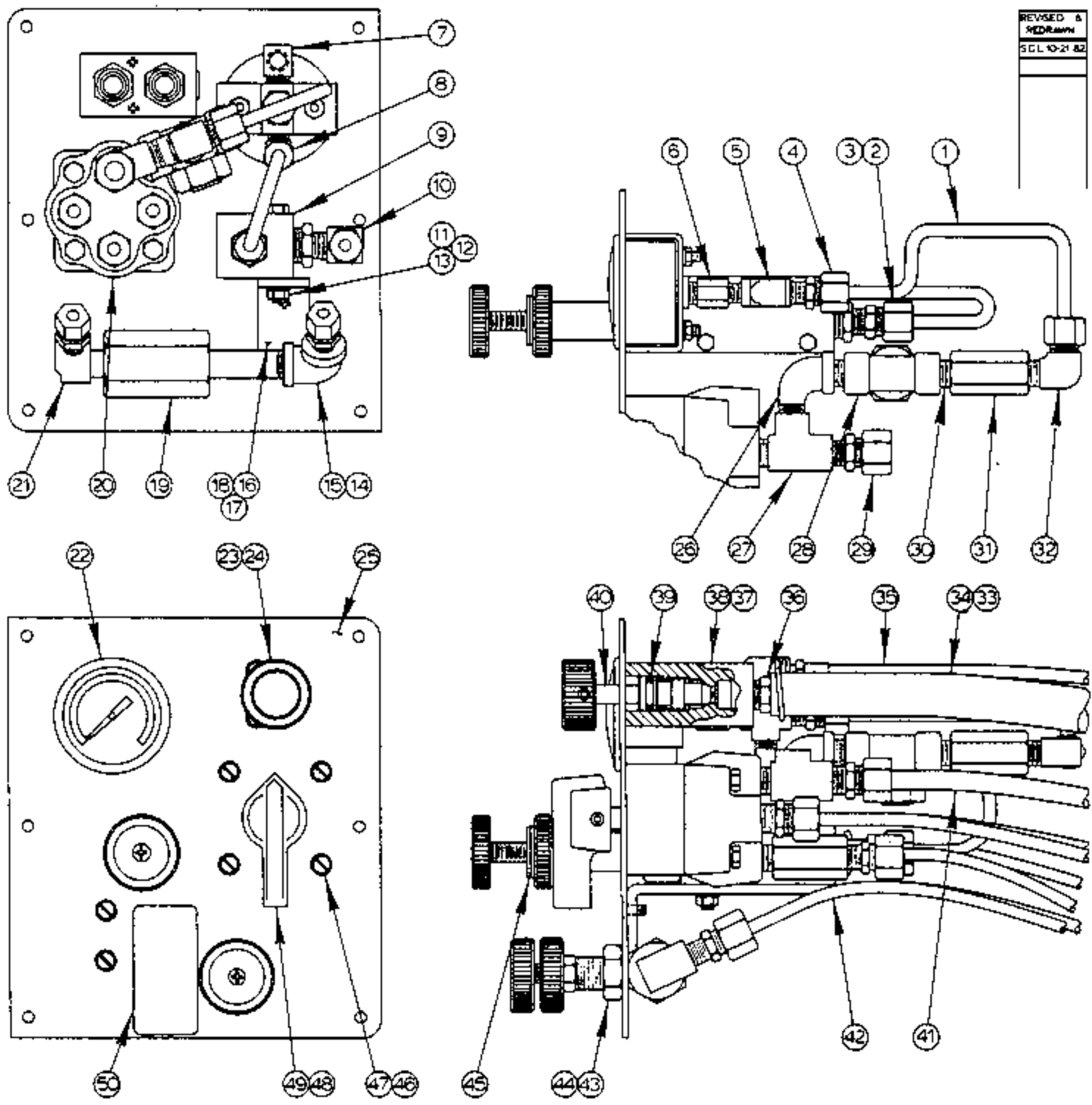


MODEL	FIRST MACH.	LAST MACH.
C-79	300-70101	300-72118
C-80	190-70101	190-72268

CONTROL PANEL SUB-ASSEMBLY  
 (HYDRAULIC - HEAD MOUNTED)

CONTROL PANEL SUB-ASSEMBLY

INDEX NO.	PART NO.	DESCRIPTION	UNITS PER ASS'Y
Ref.	095-005385	Control Panel Sub-Assembly (Hydraulic - Head Mounted)	
1	091-971291	. Steel Tubing 1/4 O.D.....	A.R.
2	093-090041	. Male Connector.....	1
3	091-335414	. Pipe Cross.....	1
4	091-236414	. Gage Snubber.....	1
5	105-275069	. 90° Street Elbow.....	1
6	093-090538	. 90° Male Elbow.....	1
7	091-009316	. Needle Valve.....	1
8	091-006858	. 4-Way Valve.....	1
9	135-095305	. Gauge (200 PSI).....	1
	091-208561	. Gauge (400 PSI).....	1
10	091-208603	. Knob.....	1
11	091-984062	. Screw, Soc. Set #8-32NC x 1/4.....	2
12	094-030269	. Escutcheon (C-79).....	1
	094-030277	. Escutcheon (C-80).....	1
13	091-196279	. 90° Street Elbow.....	1
14	091-208579	. Street Tee.....	1
15	091-204792	. Filter.....	1
	091-602300	. . Filter Element.....	1
16	093-090108	. Male Connector.....	1
17	114-035074	. Close Nipple.....	2
18	091-408476	. Needle Valve.....	1
19	093-090546	. 90° Male Elbow.....	3
20	093-090058	. Male Connector.....	3
21	091-022988	. Barbed Insert.....	2
22	091-208645	. Valve Assembly.....	1
23	090-385683	. . Valve Body.....	1
24	135-087278	. . O-Ring.....	1
25	091-208637	. . Valve Stem Assembly.....	1
	091-208611	. . . Valve Stem.....	1
	091-994715	. . . Screw, Pan Hd. Self-Tap #6-32NC x 3/4.....	1
	091-208629	. . . Valve Stem Tip.....	1
	091-227488	. . Soc. Pipe Plug (Not Shown).....	1
	091-987412	. Screw, Flat Hd. Mach. #8-32NC x 3/8 (Not Shown).....	2
26	091-991380	. Nut, Hex. Jam 5/8-18NF.....	1
27	091-993618	. Washer, Lock 5/8 Shakeproof Int.....	1
28	091-987420	. Screw, Flat Hd. Mach. #8-32NC x 1/2.....	4
29	091-198291	. Insert.....	4
30	090-362484	. Knob.....	1
31	091-984245	. Screw, Soc. Set 1/4-20NC x 3/8.....	1

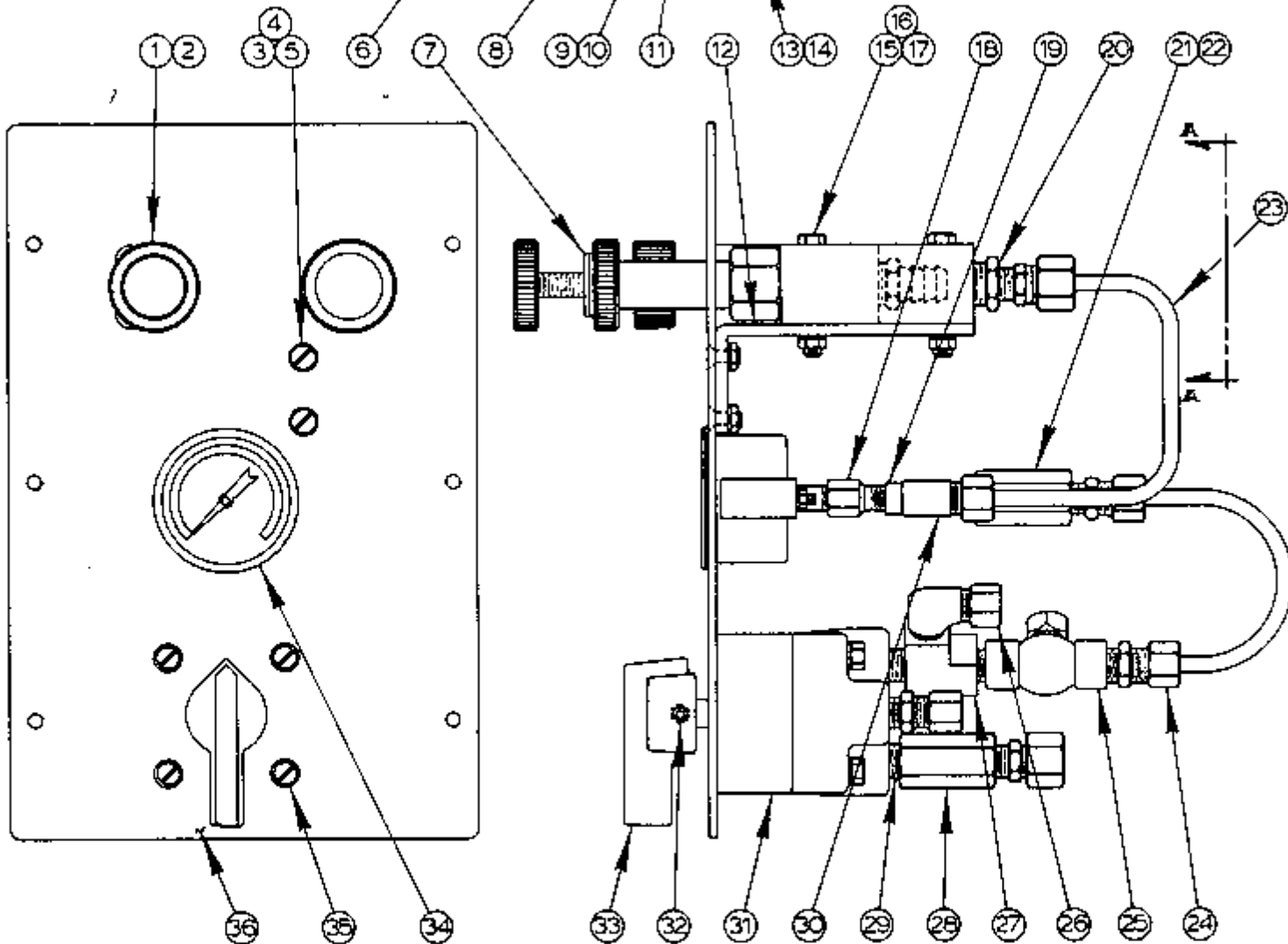
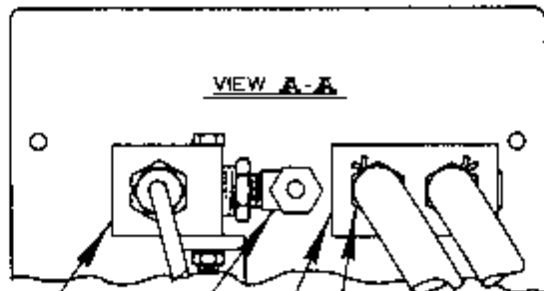


MODEL	FIRST MACH	LAST MACH
C-79	300-7219	300-77245
C-80	190-72269	90-77988
C-81	342-74101	342-77121
C-82	343-74101	343-76107

CONTROL PANEL SUB-ASSEMBLY  
(HYDRAULIC - HEAD MOUNTED)

## CONTROL PANEL SUB-ASSEMBLY

INDEX NO.	PART NO.	DESCRIPTION	UNITS PER ASS'Y
Ref.	095-025292	Control Panel Sub-Assembly (Hydraulic - Head Mounted)	
1	091-971291	. Steel Tubing 1/4 O.D.	A.R.
2	093-090058	. Male Connector	7
3	105-115174	. Hex. Reducer Bushing	2
4	093-090041	. Male Connector	1
5	091-335414	. Pipe Cross	1
6	091-236414	. Gage Snubber	1
7	105-275069	. 90° Street Elbow	1
8	093-090538	. 90° Male Elbow	1
9	091-184994	. Relief Valve	1
10	091-050634	. 90° Street Elbow (Brass)	1
11	091-980136	. Screw, Hex. Hd. Cap 1/4-20NC x 1-3/4	2
12	091-993212	. Washer, Lock 1/4 Std.	2
13	091-991158	. Nut, Hex. 1/4-20NC	2
14	135-005197	. 90° Street Elbow	1
15	135-023448	. Pipe Nipple	1
16	091-314948	. Bracket	1
17	091-991091	. Nut, Hex. Jam #8-32NC	2
18	091-993717	. Washer, Lock #8 Shakeproof Ext.	2
19	091-432088	. Needle Valve	1
20	091-006858	. 4-Way Valve	1
21	090-082546	. 90° Street Elbow	2
22	091-208561	. Gauge	1
23	091-208603	. Knob	1
24	091-984062	. Screw, Soc. Set #8-32NC x 1/4	2
25	094-041225	. Escutcheon (English)	1
	094-043254	. Escutcheon (International)	1
26	117-135210	. 90° Street Elbow	1
27	091-208579	. Street Tee	1
28	091-204792	. Filter	1
	091-602300	. Filter Element	1
29	093-090108	. Male Connector	1
30	114-035074	. Close Nipple	3
31	093-034142	. Orifice (.020 Dia.)	2
32	093-090546	. 90° Male Elbow	1
33	091-970988	. Hose 27/32 O.D.	A.R.
34	090-179037	. Hose Clamp	2
35	091-292615	. Hydraulic Hose	1
36	091-022988	. Barbed Insert	2
37	091-208645	. Valve Assembly	1
38	090-385683	. Valve Body	1
39	135-087278	. O-Ring	1
40	091-208637	. Valve Stem Assembly	1
	091-208611	. Valve Stem	1
	091-994715	. Screw, Pan Hd. Self-Tap #6-32NC x 3/4	1
	091-208629	. Valve Stem Tip	1
	091-227488	. Soc. Pipe Plug (Not Shown)	1
	091-987412	. Screw, Flat Hd. Mach. #8-32NC x 3/8 (Not Shown)	2
41	091-971382	. Nylon Tubing 3/8 G.D.	A.R.
42	091-971374	. Nylon Tubing 1/4 O.D.	A.R.
43	091-991380	. Nut, Hex. Jam 5/8-18NF	1
44	090-052226	. Washer	1
45	091-224170	. Washer	A.R.
46	091-987941	. Screw, Flat Hd. Mach. #8-32NC x 1/2	6
47	091-198291	. Insert	4
48	090-362484	. Knob	1
49	091-984245	. Screw, Soc. Set 1/4-20NC x 3/8	1
50	091-313601	. Escutcheon (Head Approach) (English)	1
	091-313619	. Escutcheon (Head Approach) (International)	1



MODEL	FIRST MACH	LAST MACH
C-79	300-70101	300-77245
C-80	190-70101	190-77988
C-81	342-74101	342-77121
C-82	343-74101	343-76107
C-179	329-74101	329-76105
C-180	302-70101	302-77129
C-1216M	374-77101	374-83234
C-1216A	373-77101	373-83822
CE-1216A	387-77101	387-83174
C-1216A-6	378-77101	378-79107
CT-1216M	386-77101	386-83104
CT-1216A	385-77101	385-80108

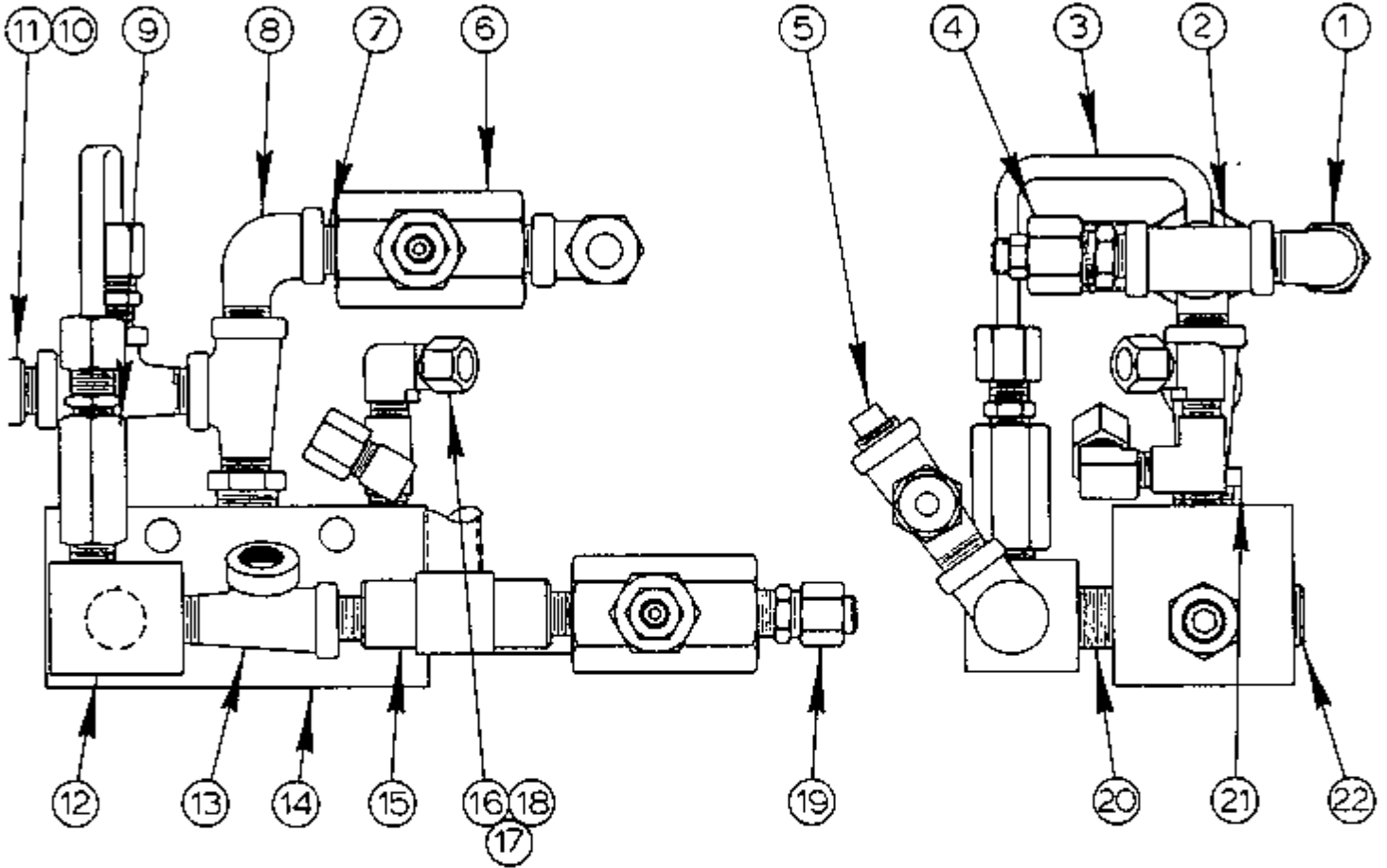
CONTROL PANEL SUB-ASSEMBLY  
 (HYDRAULIC - REMOTE)

## CONTROL PANEL SUB-ASSEMBLY

INDEX NO.	PART NO.	DESCRIPTION	UNITS PER ASS'Y
Ref.	095-002671	Control Panel Sub-Assembly (Hydraulic - Remote) (C-79, C-80, C-81, C-82, C-179, C-180)	
Ref.		Control Panel Sub-Assembly (Hydraulic - Remote) (C-1216M, C-1216A, CE-1216A, C-1216A-6, CT-1216A, CT-1216M)	
1	091-208603	. Knob.....	1
2	091-984062	. Screw, Soc. Set #8-32NC x 1/4.....	2
3	091-987420	. Screw, Flat Hd. Mach. #8-32NC x 1/2.....	6
4	091-993717	. Washer, Lock #8 Shakeproof Ext.....	2
5	091-991091	. Nut, Hex. Jam #8-32NC.....	2
6	091-184994	. Relief Valve (C-79, C-80, C-81, C-82, C-179, C-180).....	1
	*091-477364	. Relief Valve (C-1216M, C-1216A, CE-1216A, C-1216A-6, CT-1216M, CT-1216A).....	1
7	091-224170	. Washer (C-79, C-80, C-81, C-82, C-179, C-180 Only).....	A.R.
8	093-090546	. 90° Male Elbow.....	1
9	091-208645	. Valve Assembly.....	1
10	091-987412	. Screw, Flat Hd. Mach. #8-32NC x 3/8.....	2
11	090-149287	. Barbed Insert.....	2
12	091-314948	. Bracket.....	1
13	091-970947	. Neoprene Hose 11/16 O.D.....	A.R.
14	091-044784	. Hose Clamp.....	4
15	091-980136	. Screw, Hex. Hd. Cap 1/4-20NC x 1-3/4.....	2
16	091-993212	. Washer, Lock 1/4 Std.....	2
17	091-991158	. Nut, Hex. 1/4-20NC.....	2
18	091-236414	. Gage Snubber.....	1
19	091-335414	. Cross.....	1
20	105-115174	. Reducer Bushing.....	2
21	114-145287	. Close Nipple.....	1
22	135-024560	. Reducer Bushing.....	1
23	091-971291	. Steel Tubing 1/4 O.D.....	A.R.
24	093-090058	. Male Connector.....	6
25	091-204792	. Filter.....	1
26	093-090579	. 90° Male Elbow.....	1
27	091-208579	. Street Tee.....	1
28	093-034148	. Orifice (.020 Dia.).....	2
29	114-035074	. Close Nipple.....	2
30	093-090538	. 90° Male Elbow.....	2
31	091-006858	. 4-Way Valve.....	1
32	091-984245	. Screw, Soc. Set 1/4-20NC x 3/8.....	1
33	090-362484	. Knob.....	1
34	135-095305	. Gauge (C-79, C-80, C-81, C-82, C-179, C-180).....	1
	*091-208561	. Gauge (C-1216M, C-1216A, CE-1216A, C-1216A-6, CT-1216M, CT-1216A).....	1
35	091-198291	. Insert.....	4
36	094-015112	. Escutcheon (English).....	1
	094-045689	. Escutcheon (International).....	1

\*NOTE: Item #6 Was 091-184994 And Item #34 Was 135-095305 Before Serial #374-78119 On C-1216M, #373-78231 On C-1216A, #387-78110 On CE-1216A, #378-79107 On C-1216A-6 And #385-78102 On CT-1216A.

REVISED AND  
 REDRAWN  
 SCL 10-28-82

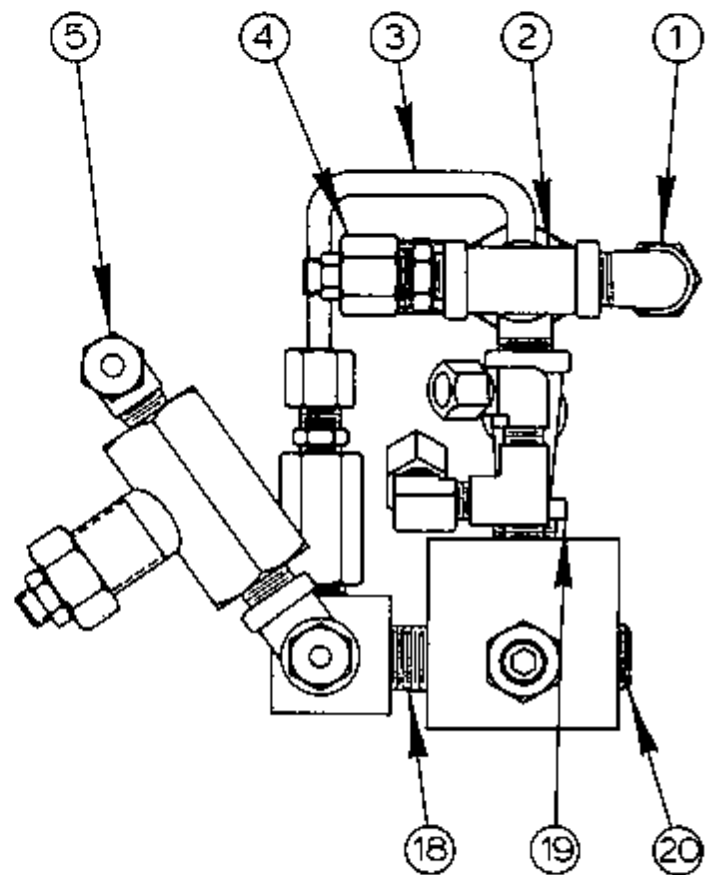
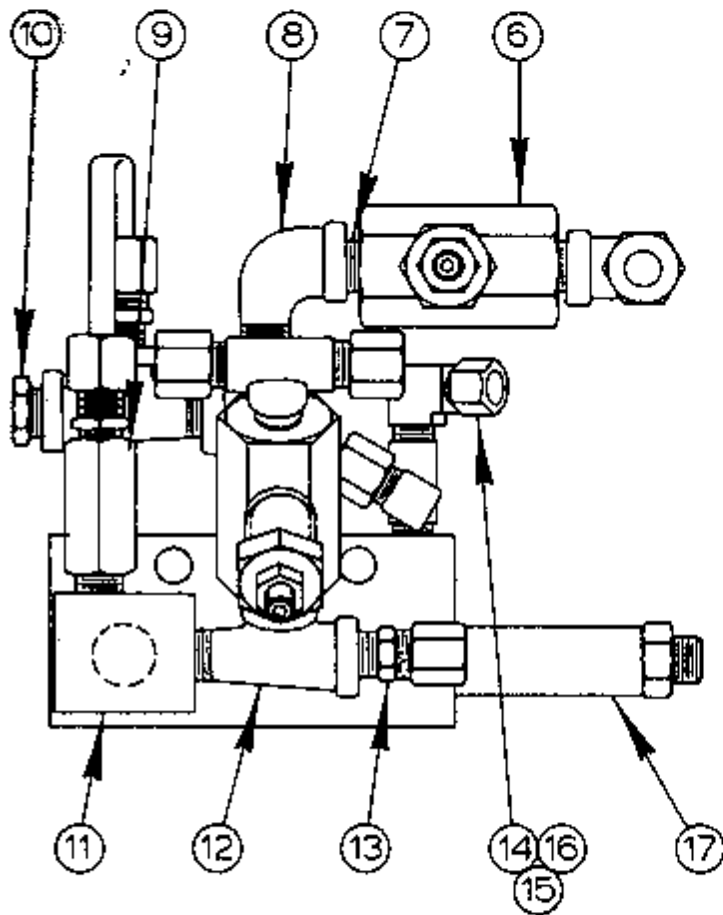


MODEL	FIRST MACH	LAST MACH
C-79	300-70101	300-73122
C-80	190-70101	190-73282

CONTROL VALVING ASSEMBLY  
 (HEAD MOUNTED CONSOLE)

## CONTROL VALVING ASSEMBLY

INDEX NO.	PART NO.	DESCRIPTION	UNITS PER ASS'Y
Ref.	094-038254	Control Valving Assembly (W/O Slow Approach) (Head Mounted Console)	
Ref.	094-039054	Control Valving Assembly (W/Slow Approach) (Head Mounted Console)	
1	093-090579	. 90° Male Elbow.....	1
2	135-024743	. Pipe Tee.....	1
3	091-971291	. Steel Tubing 1/4 O.D.....	A.R.
4	093-090108	. Male Connector.....	1
5	105-046122	. Sq. Hd. Pipe Plug.....	1
6	091-408476	. Needle Valve.....	2
7	114-035074	. Close Nipple.....	4
8	117-135210	. 90° Street Elbow.....	1
9	093-034148	. Orifice (.020 Dia.).....	1
10	091-009316	. Needle Valve (W/Slow Approach).....	1
11	090-015462	. 45° Street Elbow.....	1
12	091-286617	. Manifold.....	1
13	135-008472	. Service Tee.....	4
14	091-237651	. Sequence Valve.....	1
15	091-009316	. Needle Valve (W/O Slow Approach).....	1
16	091-286625	. Street Tee.....	1
17	093-090538	. 90° Male Elbow.....	2
18	135-024560	. Hex. Reducer Bushing.....	1
19	093-090058	. Male Connector.....	4
20	135-011278	. Close Nipple.....	1
21	105-115174	. Hex. Reducer Bushing.....	1
22	091-233288	. Pipe Plug.....	1

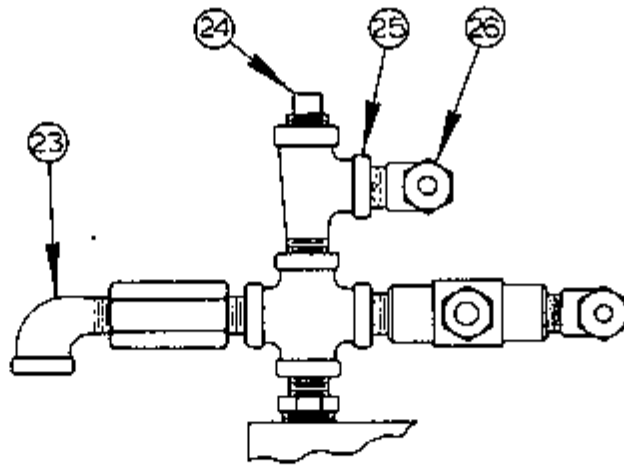


<u>MODEL</u>	<u>FIRST MACH</u>	<u>LAST MACH</u>
C-79	300-73123	300-77245
C-80	190-73283	190-77988
C-81	342-74101	342-77121
C-82	343-74101	343-76107
C-1216M	374-77101	374-83234
C-1216A	373-77101	373-83822
CE-1216A	387-77101	387-83174
C-1216A-6	378-77101	378-79107

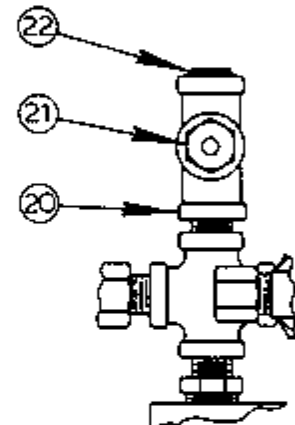
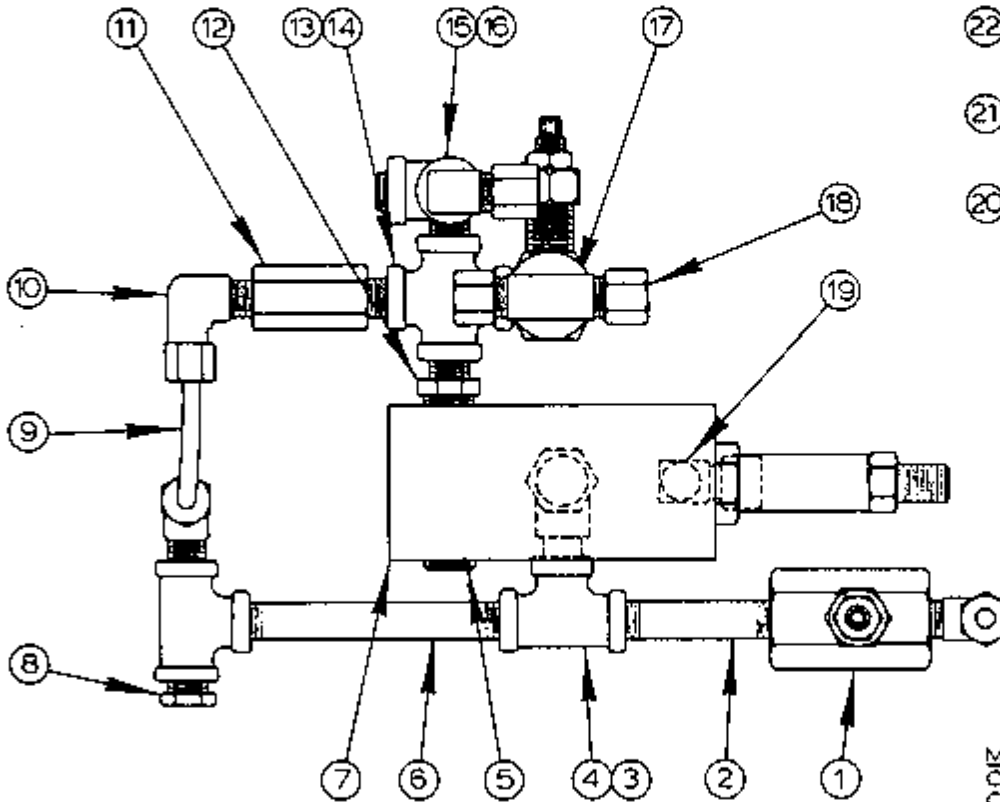
CONTROL VALVING ASSEMBLY  
(HEAD MOUNTED CONSOLE)

## CONTROL VALVING ASSEMBLY

INDEX NO.	PART NO.	DESCRIPTION	UNITS PER ASS'Y
Ref.	094-041258	Control Valving Assembly (Head Mounted Console)	
1	093-090579	. 90° Male Elbow.....	1
2	135-024743	. Pipe Tee.....	1
3	091-971291	. Steel Tubing 1/4 O.D.....	A.R.
4	093-090108	. Male Connector.....	1
5	093-091452	. Male Branch Tee.....	1
6	091-408476	. Needle Valve.....	2
7	114-035074	. Close Nipple.....	4
8	117-135210	. 90° Street Elbow.....	1
9	093-034148	. Orifice (.020 Dia.).....	1
10	135-024560	. Hex. Reducer Bushing.....	2
11	091-286617	. Manifold.....	1
12	135-008472	. Service Tee.....	3
13	093-090058	. Male Connector.....	3
14	091-286625	. Street Tee.....	1
15	093-090538	. 90° Male Elbow (1/4 Tube).....	1
16	093-090587	. 90° Male Elbow (3/8 Tube).....	1
17	091-237651	. Sequence Valve.....	1
18	135-011278	. Close Nipple.....	1
19	105-115174	. Hex. Reducer Bushing.....	1
20	091-233288	. Pipe Plug.....	1



FOR MACHINES WITHOUT SLOW APPROACH  
094-040508



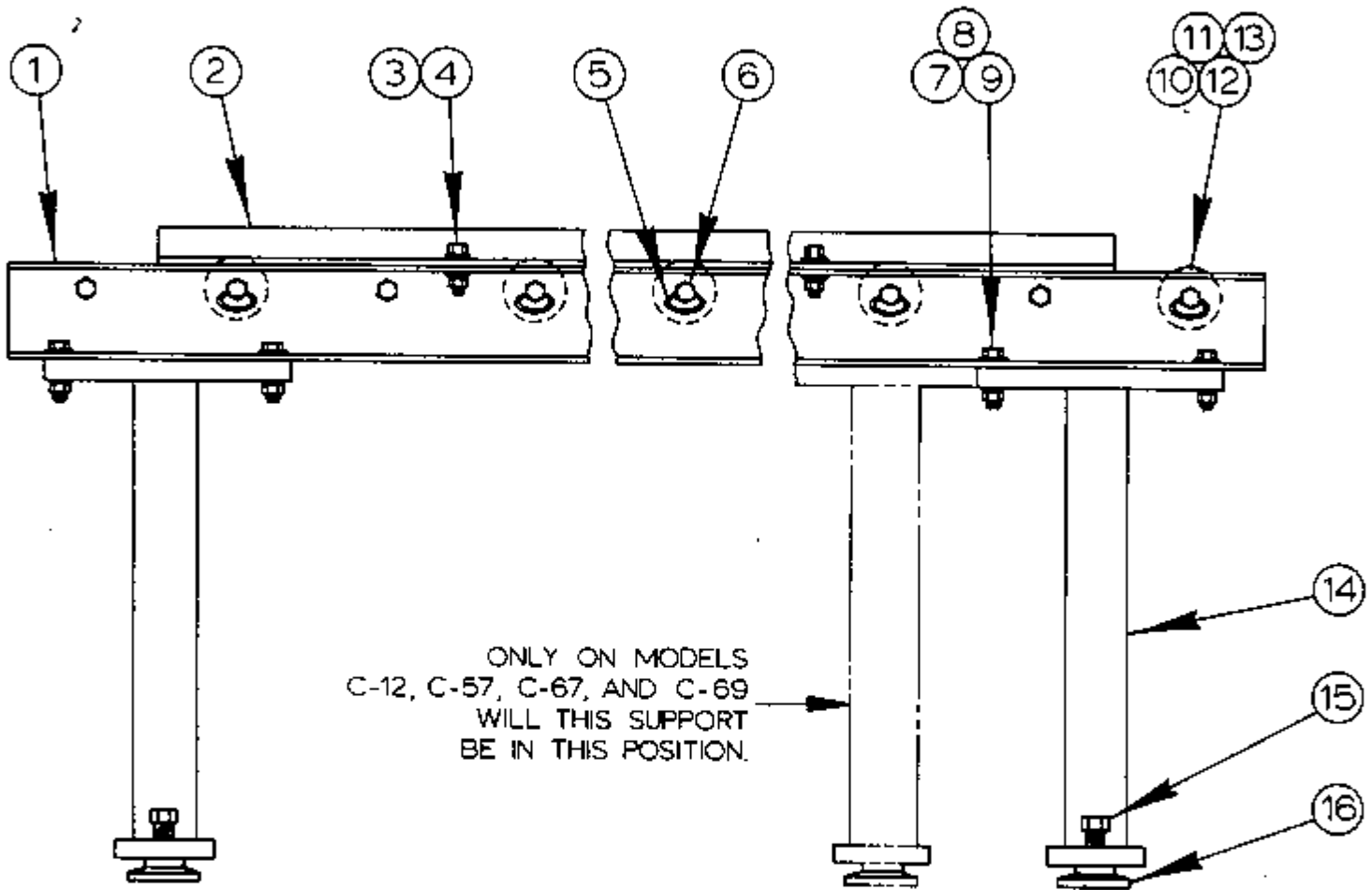
FOR MACHINES WITH A 2-  
KNOB HEAD APPROACH  
CONTROL 094-041208

MODEL	FIRST MACH.	LAST MACH.
C-79	300-70101	300-77245
C-80	190-70101	190-77988
C-81	342-74101	342-77121
C-82	343-74101	343-78107
C-179	329-74101	329-78105
C-180	302-70101	302-77129
C-1216M	374-77101	374-83234
C-1216A	373-77101	373-83822
CE-1216A	387-77101	387-83174
C-1216A-6	378-77101	378-79107
CT-1216M	386-77101	386-83104
CT-1216A	385-77101	385-80108

CONTROL VALVING ASSEMBLY  
(USED W/REMOTE CONSOLE)

INDEX NO.	PART NO.	DESCRIPTION	UNITS PER ASS'Y
Ref.	094-107992	Control Valving Assembly (W/Slow Approach)	
Ref.	094-041209	Control Valving Assembly (W/Slow Approach And 2 Knob Head Approach Control)	
Ref.	094-040508	Control Valving Assembly (W/O Slow Approach)	
1	091-408476	. Needle Valve.....	2
2	135-009850	. Pipe Nipple.....	1
3	090-082546	. 90° Street Elbow.....	2
4	135-024743	. Pipe Tee.....	2
5	091-233288	. Pipe Plug.....	1
6	090-121187	. Pipe Nipple (W/Slow Approach).....	1
	093-090108	. Male Connector (W/O Slow Approach).....	1
7	091-237651	. Sequence Valve.....	1
8	135-024560	. Hex. Reducer Bushing (W/Slow Approach).....	1
9	091-971291	. Steel Tubing 1/4 O.D (W/Slow Approach).....	A.R.
10	093-090546	. 90° Male Elbow (W/Slow Approach).....	4
11	093-034148	. Orifice (.020 Dia.).....	1
12	105-115174	. Hex. Reducer Bushing.....	2
13	091-179853	. Pipe Cross (W/Slow Approach).....	1
	135-008506	. Pipe Cross (W/O Slow Approach).....	1
14	114-035074	. Close Nipple.....	5
15	090-147141	. Pipe Tee.....	1
16	091-227488	. Pipe Plug.....	1
17	091-050534	. 90° Street Elbow (Brass) (W/Slow Approach).....	1
18	093-091452	. Male Branch Tee.....	1
19	093-090546	. 90° Male Elbow.....	2
FOR MACHINES WITH 2 KNOB HEAD APPROACH CONTROL - 094-041209			
20	090-147141	. Pipe Tee.....	1
21	093-090058	. Male Connector.....	1
22	091-227488	. Pipe Plug.....	1
FOR MACHINES WITHOUT SLOW APPROACH - 094-040508			
23	117-135210	. 90° Street Elbow.....	1
24	105-046122	. Sq. Hd. Pipe Plug.....	1
25	135-008472	. Service Tee.....	1
26	093-090546	. 90° Male Elbow.....	3

REVISED AND REDRAWN
SCL 3-10-80

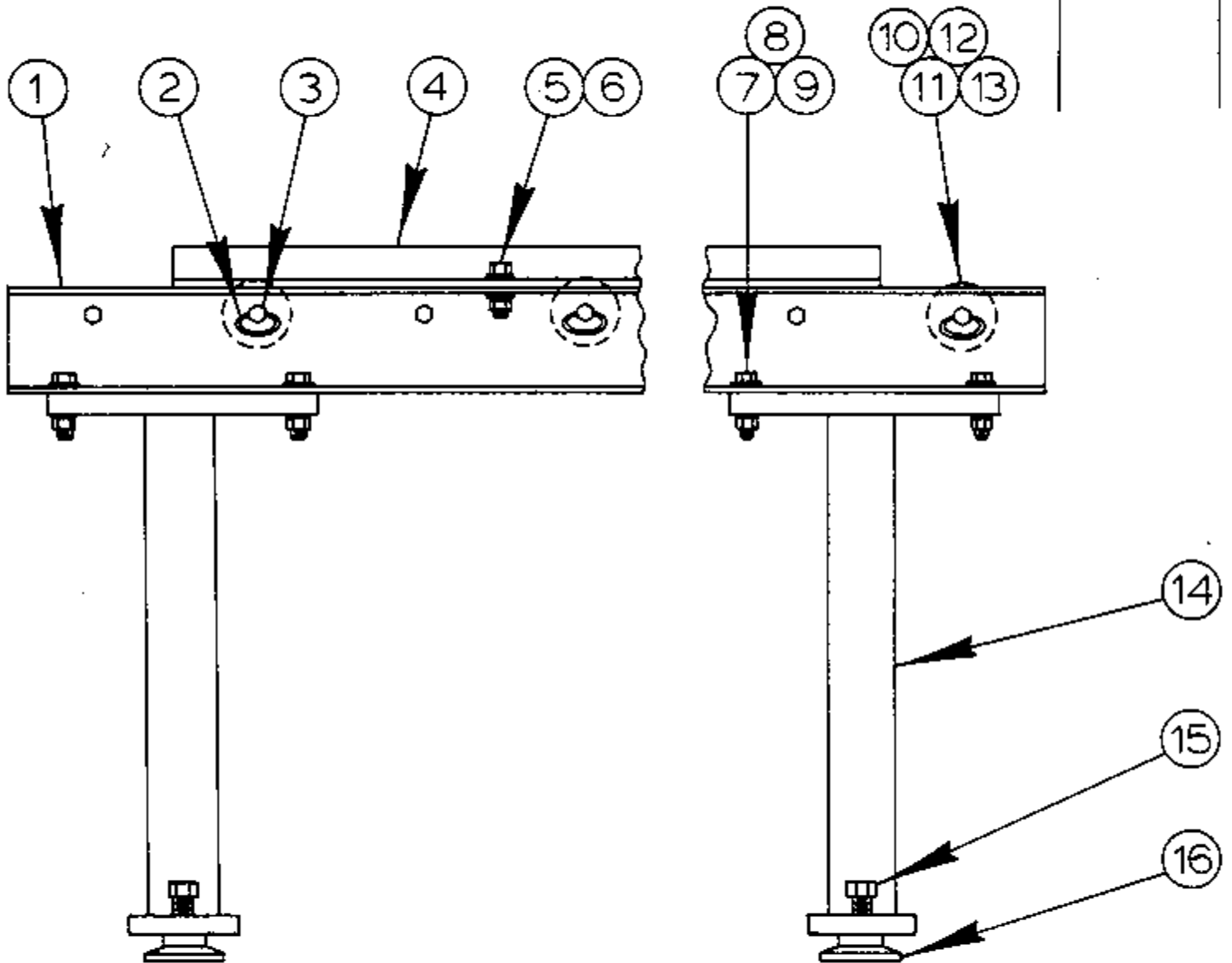


5' & 10' CONVEYOR ASSEMBLY  
( 12" & 18" ROLLERS )

5' AND 10' CONVEYOR ASSEMBLIES

INDEX NO.	PART NO.	DESCRIPTION	UNITS PER ASS'Y
Ref.	090-550989	5' Conveyor Assembly (C-12, C-57, C-58, C-67, C-68, C-167A, C-168A)	
Ref.	080-556079	5' Conveyor Assembly (C-169, C-170, C-179, C-180, CT-1216A, CT-1216M)	
Ref.	080-556467	5' Conveyor Assembly (C-6, C-7, C-8, C-8A, C-9, C-9A, C-9V, C-9AV, C-1212M, C-1212A, C-1213M, CE-1213M, C-1213A, CE-1213A, C-69, C-70, C-270, C-79, C-80, C-81, C-82, C-1216M, C-1216A, CE-1216A, C-1216A-6, C-1216A-12, CE-1216M)	
1	090-455437	. Channel.....	2
2	090-253949	. Fence.....	2
3	091-980466	. Screw, Hex. Hd. Cap 3/8-16NC x 1.....	4
4	090-137431	. Bevel Washer (Assembly 090-550989 Only).....	16
5	090-109166	. Hog Ring.....	10
6	090-072851	. Hex. Shaft.....	5
7	091-980482	. Screw, Hex. Hd. Cap 3/8-16NC x 1-1/2.....	8
8	091-993329	. Washer, Lock 3/8 Std.....	12
9	091-991265	. Nut, Hex. 3/8-16NC.....	12
10	091-101733	. 12" Roller Weldment.....	5
	090-108994	. 18" Roller Assembly.....	5
11	091-141549	. . 18" Tube.....	1
12	091-141119	. . Bearing.....	2
13	091-141101	. . Star Ring.....	2
14	090-547704	. Support Assembly (Assembly 090-550939).....	2
	090-548892	. Support Assembly (Assembly 080-556079).....	2
	090-556184	. Support Assembly (Assembly 080-556467).....	2
15	091-980938	. Screw, Hex. Hd. Cap 1-8NC x 2 (Assembly 090-550989 Only).....	4
	091-626713	. Screw, Hex. Hd. Cap 1-8NC x 4 (Assembly 080-556079 & 080-556467).....	4
16	090-124207	. Foot Casting.....	4
Ref.	090-547670	10' Conveyor Assembly (C-12, C-57, C-58, C-67, C-68, C-167A, C-168A)	
Ref.	080-548902	10' Conveyor Assembly (C-619, C-170, C-179, C-180, CT-1216M, CT-1216A)	
Ref.	080-556459	10' Conveyor Assembly (C-6, C-7, C-8, C-8A, C-9, C-9A, C-9V, C-9AV, A-1212M, C-1212A, C-1213M, CE-1213M, C-1213A, CE-1213A, C-69, C-70, C-270, C-79, C-80, C-81, C-82, C-1216M, C-1216A, CE-1216A, C-1216A-6, C-1216A-12, CE-1216M)	
Ref.	090-559826	10' Conveyor Assembly (CZ-1620)	
1	090-455437	. Channel.....	4
2	090-253949	. Fence.....	2
3	091-980466	. Screw, Hex. Hd. Cap 3/8-16NC x 1.....	4
4	090-137431	. Bevel Washer (Assembly 090-547670 & 090-559826 Only).....	24
5	090-109166	. Hog Ring.....	20
6	090-072851	. Hex. Shaft.....	10
7	091-980482	. Screw, Hex. Hd. Cap 3/8-16NC x 1-1/2.....	16
8	091-993329	. Washer, Lock 3/8 Std.....	20
9	091-991265	. Nut, Hex. 3/8-16NC.....	20
10	090-108994	. 18" Roller Assembly.....	10
11	091-141549	. . 18" Tube.....	1
12	091-141119	. . Bearing.....	2
13	091-141101	. . Star Ring.....	2
14	090-547704	. Support Assembly (Assembly 080-547670).....	3
	090-548892	. Support Assembly (Assembly 080-548902).....	3
	090-556184	. Support Assembly (Assembly 080-556459).....	3
	090-559826	. Support Assembly (Assembly 090-559826).....	3
15	091-980938	. Screw, Hex. Hd. Cap 1-8NC x 2 (Assembly 090-547670 & 090-559826).....	6
	091-626713	. Screw, Hex. Hd. Cap 1-8NC x 4 (Assembly 080-548902 & 080-556459).....	6
16	090-124207	. Foot Casting.....	6

REVISED AND  
REDRAWN  
SCL. 3-12-80

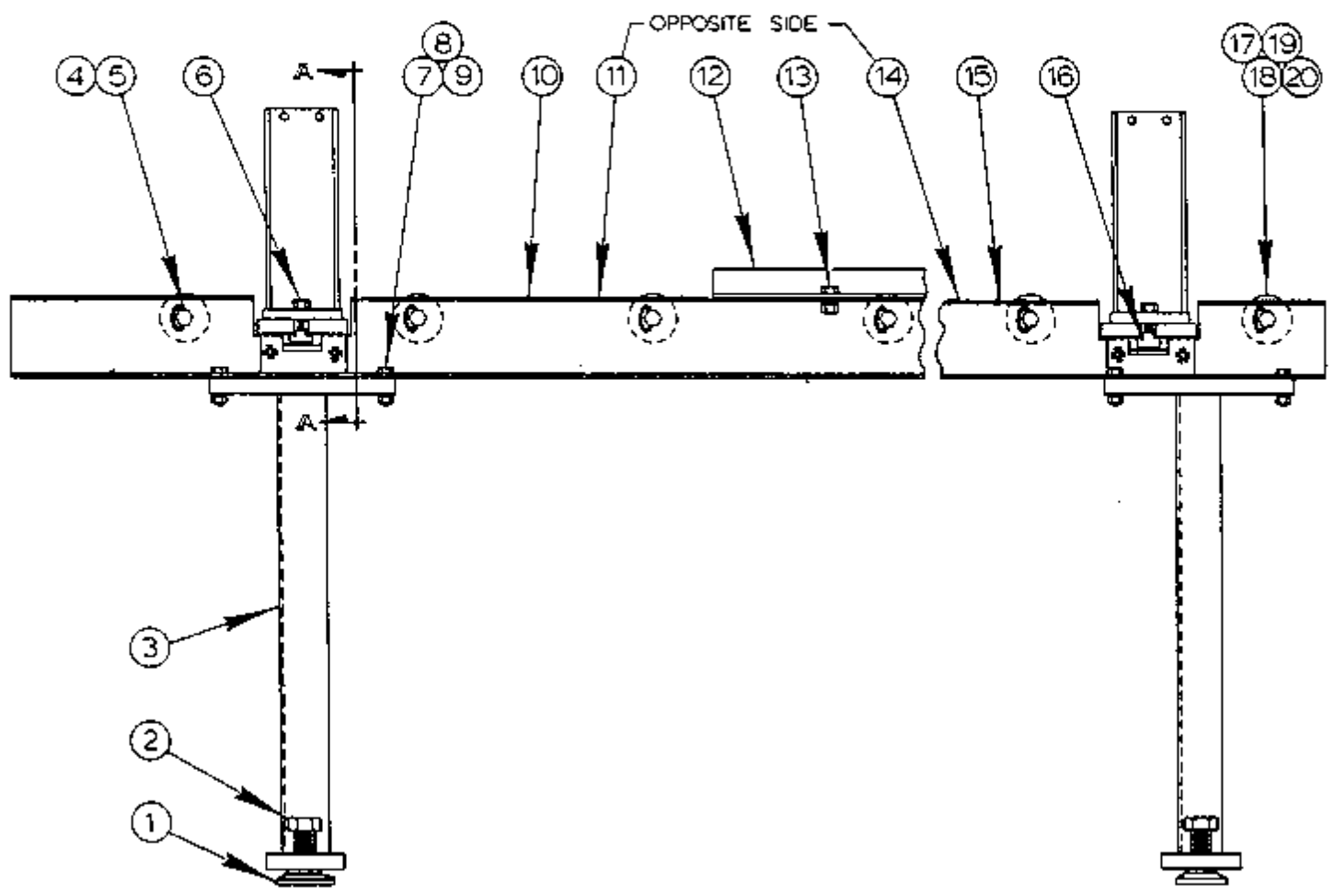
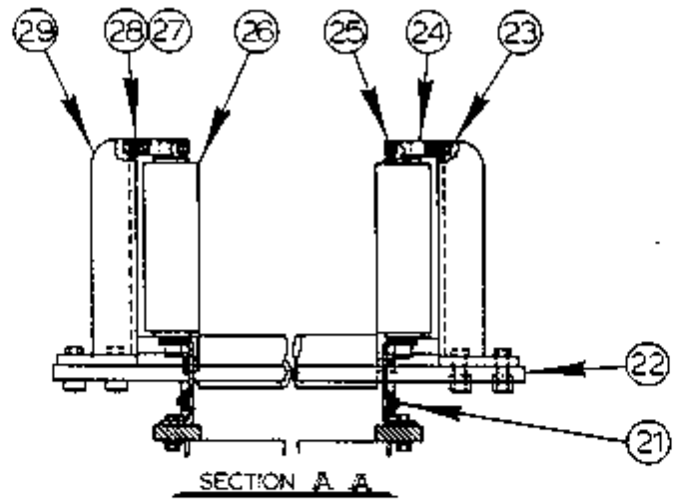


5' & 10' CONVEYOR ASSEMBLY  
( 24" ROLLERS )

## 5' AND 10' CONVEYOR ASSEMBLIES

INDEX NO.	PART NO.	DESCRIPTION	UNITS PER ASS'Y
Ref.	080-564412	5' Conveyor Assembly (C-69, C-70, C-79, C-80, C-81, C-82, C-1216M, CE1216M, C-1216A, CE-1216A, C-1216A-6, C-1216A-12, C-1220A, CE-1220A, C-1220M, CE-1220M)	
Ref.	080-564628	5' Conveyor Assembly (C-169, C-170, C-179, C-180, CT-1216M, CT-1216A)	
1	090-455437	. Channel.....	2
2	090-109166	. Hog Ring.....	10
3	090-076431	. Hex. Shaft.....	5
4	090-253949	. Fence.....	2
5	091-980466	. Screw, Hex. Hd. Cap 3/8-16NC x 1.....	4
6	090-137431	. Bevel Washer (Assembly 080-564412 Only).....	16
7	091-980482	. Screw, Hex. Hd. Cap 3/8-16NC x 1-1/2.....	8
8	091-993329	. Washer, Lock 3/8 Std.....	12
9	091-991265	. Nut, Hex. 3/8-16NC.....	12
10	091-078824	. 24" Roller Assembly.....	5
11	091-141119	. . Bearing.....	2
12	091-141101	. . Star Ring.....	2
13	091-141564	. . 24" Tube.....	1
14	090-564402	. Support Assembly (Assembly 080-564412).....	2
	090-564659	. Support Assembly (Assembly 080-564628).....	2
15	091-626713	. Screw, Hex. Hd. Cap 1-8NC x 4.....	4
16	090-124207	. Foot Casting.....	4
Ref.	080-564420	10' Conveyor Assembly (C-69, C-70, C-79, C-80, C-81, C-82, C-1216M, CE-1216M, C-1216A, CE-1216A, C-1216A-6, C-1216A-12, C-1220A, CE-1220A, C-1220M, CE-1220M)	
Ref.	080-564644	10' Conveyor Assembly (C-169, C-170, C-179, C-180, CT-1216M, CT-1216A)	
1	090-455437	. Channel.....	4
2	090-109166	. Hog Ring.....	20
3	090-076431	. Hex. Shaft.....	10
4	090-253949	. Fence.....	2
5	091-980466	. Screw, Hex. Hd. Cap 3/8-16NC x 1.....	4
6	090-137431	. Bevel Washer (Assembly 080-564420).....	24
7	091-980482	. Screw, Hex. Hd. Cap 3/8-16NC x 1-1/2.....	16
8	091-993329	. Washer, Lock 3/8 Std.....	20
9	091-991255	. Nut, Hex. 3/8-16NC.....	20
10	091-078824	. 24" Roller Assembly.....	10
11	091-141119	. . Bearing.....	2
12	091-141101	. . Star Ring.....	2
13	091-141564	. . 24" Tube.....	1
14	090-564402	. Support Assembly (Assembly 080-564420).....	3
	090-564659	. Support Assembly (Assembly 080-564644).....	3
15	091-626713	. Screw, Hex. Hd. Cap 1-8NC x 4.....	6
16	090-124207	. Foot Casting.....	6

REVISED AND REDRAWN
SC. 5-5-82



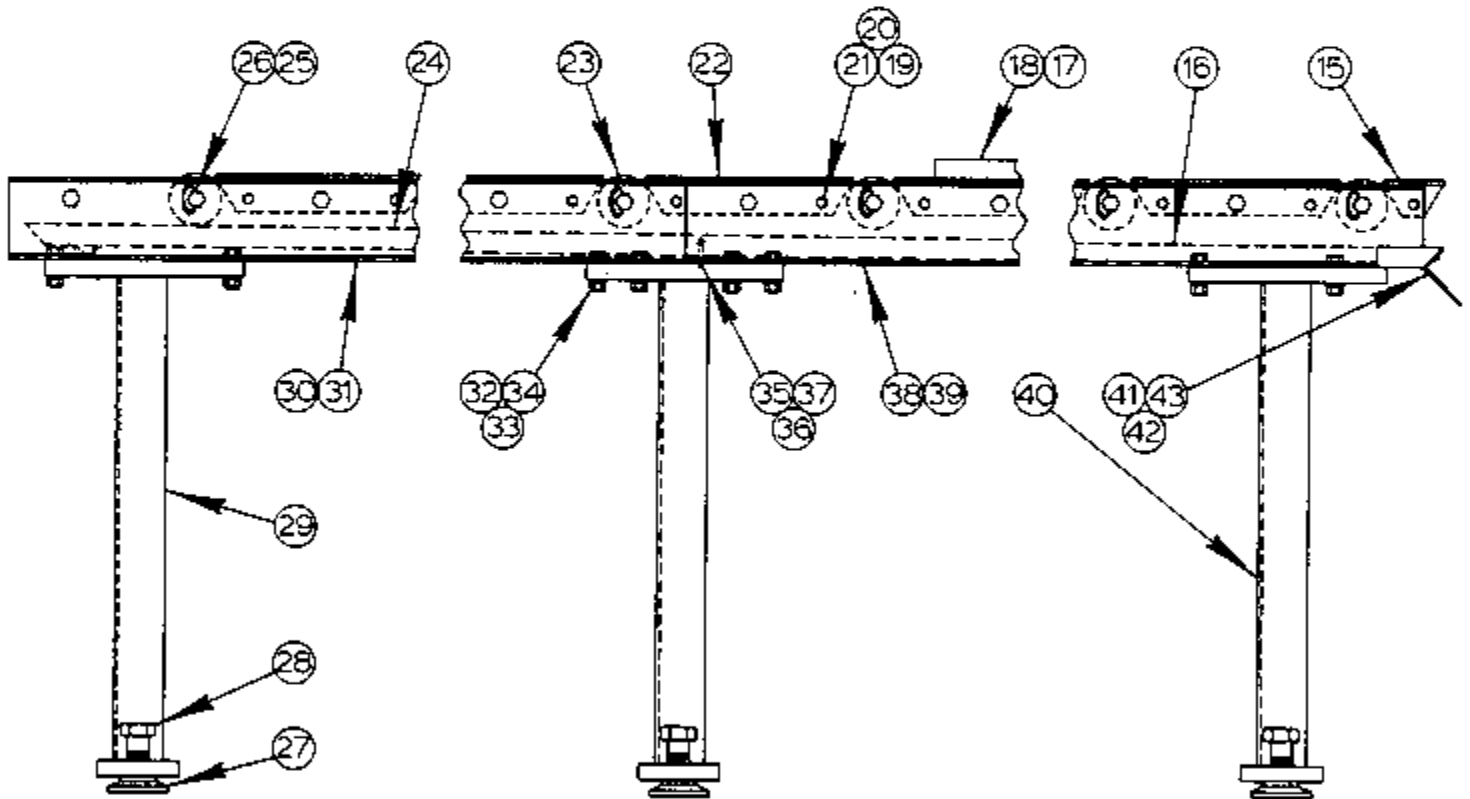
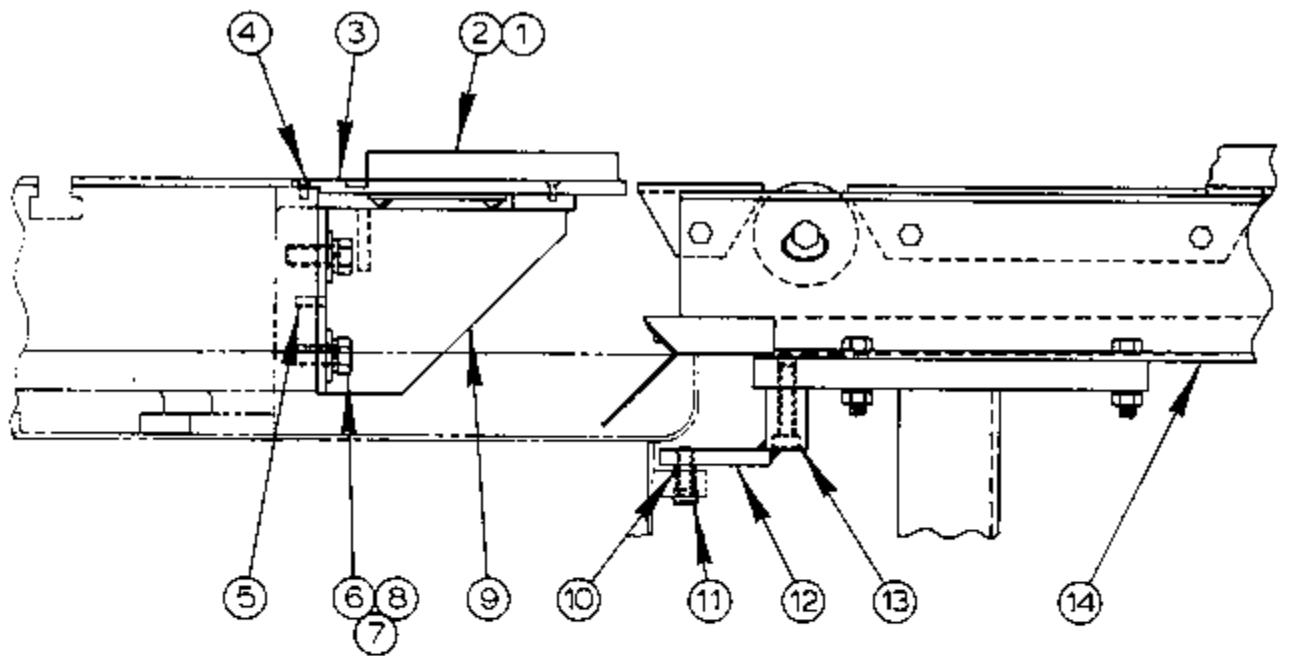
10' CONVEYOR ASSEMBLY  
(W/VERTICAL ROLLERS)

## 10' CONVEYOR ASSEMBLY w/VERTICAL ROLLERS

INDEX NO.	PART NO.	DESCRIPTION	UNITS PER ASS'Y
Ref.	085-052801	10' Conveyor Assembly W/Vertical Rollers (15" Rollers)	
Ref.	085-025856	10' Conveyor Assembly W/Vertical Rollers (18" Rollers)	
Ref.	085-057883	10' Conveyor Assembly W/Vertical Rollers (24" Rollers)	
1	090-124207	. Foot Casting.....	6
2	091-626713	. Screw, Hex. Hd. Cap 1-8NC x 4.....	6
3	095-037420	. Support Assembly (15" Rollers).....	3
	090-556184	. Support Assembly (18" Rollers).....	3
	090-564402	. Support Assembly (24" Rollers).....	3
4	091-335620	. Hex. Shaft (15" Rollers).....	10
	090-072851	. Hex. Shaft (18" Rollers).....	10
	090-076431	. Hex. Shaft (24" Rollers).....	10
5	090-109166	. Hog Ring.....	20
6	091-980680	. Screw, Hex. Hd. Cap 1/2-13NC x 1-3/4.....	8
7	091-980482	. Screw, Hex. Hd. Cap 3/8-16NC x 1-1/2.....	16
8	091-993329	. Washer, Lock 3/8 Std.....	20
9	091-991265	. Nut, Hex. 3/8-16NC.....	20
10	094-042108	. Channel.....	1
11	094-042116	. Channel (Opposite Side).....	1
12	090-253949	. Fence.....	2
13	091-980466	. Screw, Hex. Hd. Cap 3/8-16NC x 1.....	4
14	094-042132	. Channel (Opposite Side).....	1
15	094-042124	. Channel.....	1
16	090-076944	. T-Nut.....	8
17	091-335646	. 15" Roller Assembly.....	10
	090-108994	. 18" Roller Assembly.....	10
	091-078824	. 24" Roller Assembly.....	10
18	091-141119	. . Bearing.....	2
19	091-141101	. . Star Ring.....	2
20	091-337972	. . 15" Tube.....	1
	091-141549	. . 18" Tube.....	1
	091-141564	. . 24" Tube.....	1
21	091-987719	. Screw, Flat Hd. Mach. 3/8-16NC x 3/4.....	8
22	094-069887	. Base Weldment (15" Rollers).....	2
	094-042033	. Base Weldment (18" Rollers).....	2
	094-061199	. Base Weldment (24" Rollers).....	2
23	091-980441	. Screw, Hex. Hd. Cap 3/8-16NC x 3/4.....	8
*24	091-541747	. Top Support Plate.....	4
25	091-984484	. Screw, Soc. Set 3/8-16NC x 3/8.....	4
*26	091-584110	. Roller.....	4
27	091-336826	. Shim (.0598).....	A.R.
28	091-336824	. Shim (.0299).....	A.R.
*29	093-113082	. Jaw Assembly.....	4

\*NOTE: Items #24, #26 and #29 Are Used With Rollers With 3/4" Hex. Shaft.  
For Machines With 13/16" Hex. Shaft End, Order As Follows:

24	090-117193	. Top Support Plate.....	4
26	090-117227	. Roller.....	4
29	090-253584	. Jaw Assembly.....	4

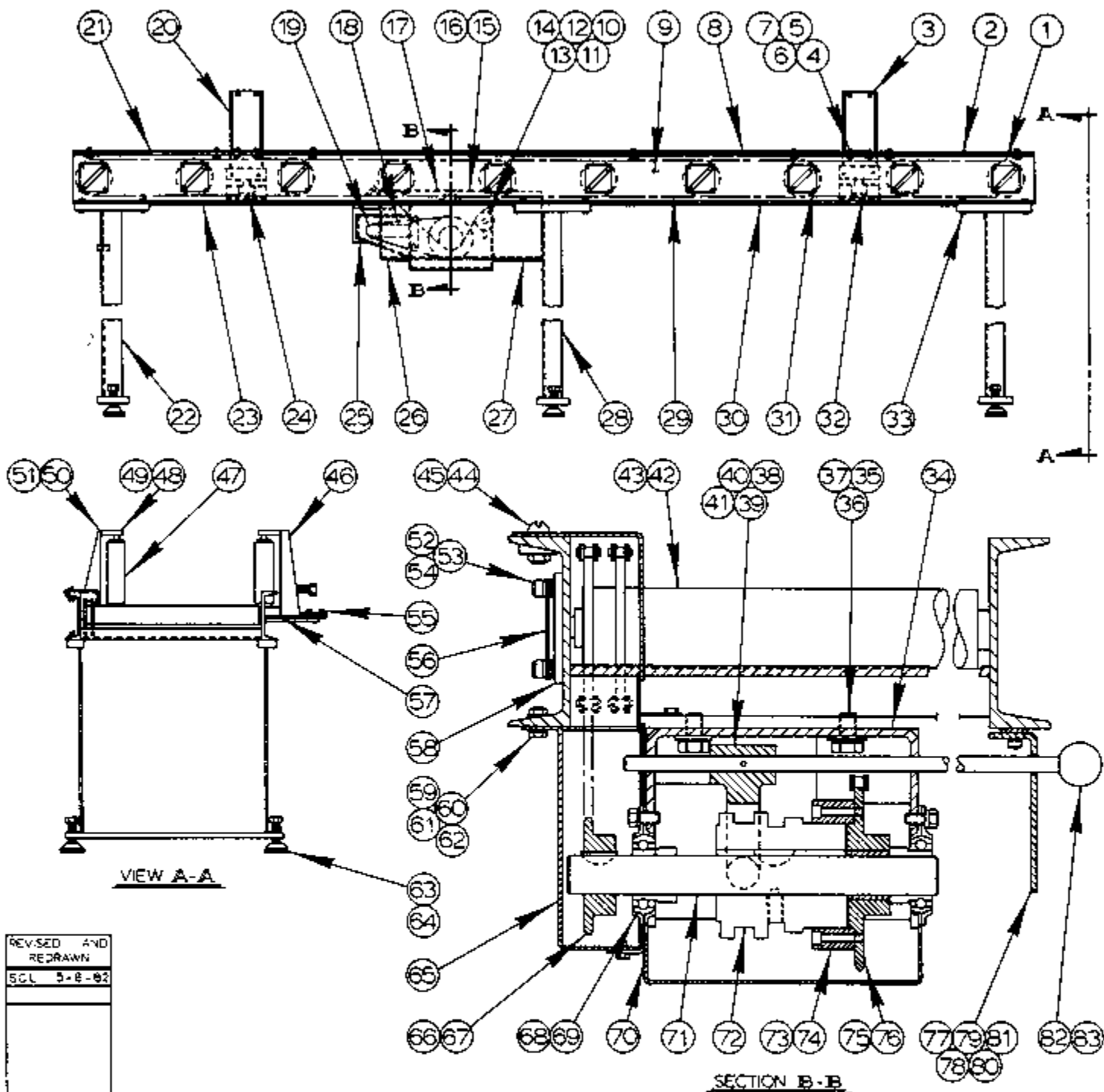


MODEL	FIRST MACH.	LAST MACH.
C-80	190-70101	190-7798B
C-81	342-74101	342-77121
C-82	343-74101	343-76107
C-1216A-6	378-77101	378-79107
C-1216A	373-77101	373-83822
CE-1216A	387-77101	387-83174
C-1216A	423-82101	
CE-1216A	428-83101	

DISCHARGE CONVEYOR ASSEMBLY

## DISCHARGE CONVEYOR ASSEMBLY

INDEX NO.	PART NO.	DESCRIPTION	UNITS PER ASS'Y
Ref.	095-014023	Discharge Conveyor Assembly	
1	091-248518	. Lip.....	1
2	091-988675	. Screw, Rd. Hd. Mach. #10-24NC x 3/8.....	2
3	093-005536	. Filler Plate.....	1
4	091-983172	. Screw, Soc. Hd. Flat #10-24NC x 1/2.....	6
5	135-005163	. Dowel Pin.....	2
6	091-980664	. Screw, Hex. Hd. Cap 1/2-13NC x 1-1/4.....	4
7	091-992669	. Washer, Flat 1/2 S.A.E. Std.....	4
8	091-993279	. Washer, Lock 1/2 Std.....	4
9	093-005775	. Bracket Weldment.....	1
10	091-984716	. Screw, Soc. Set 1/2-20NF x 1.....	2
11	091-983718	. Screw, Soc. Hd. Cap 3/8-16NC x 1.....	2
12	093-005742	. Bracket Weldment.....	1
13	091-982827	. Screw, Soc. Hd. Cap 3/8-16NC x 1-3/4.....	4
14	095-014676	. 10' Discharge Conveyor Assembly.....	1
15	093-027548	. . Filler Plate.....	1
16	094-030814	. . Pan Weldment.....	1
17	090-253949	. . Fence.....	2
18	091-980466	. . Screw, Hex. Hd. Cap 3/8-16NC x 1.....	4
19	091-980276	. . Screw, Hex. Hd. Cap 5/16-18NC x 3/4.....	38
20	091-993238	. . Washer, Lock 5/16 Std.....	38
21	091-211276	. . Nutsert 5/16-18NC.....	38
22	093-027555	. . Filler Plate.....	9
23	090-108994	. 18" Roller Assembly.....	10
	091-141549	. . 18" Tube.....	1
	091-141119	. . Bearing.....	2
	091-141101	. . Star Rihg.....	2
24	094-030848	. . Pan Weldment.....	1
25	090-027851	. . Hex. Shaft.....	10
26	090-109166	. . Hog Ring.....	20
27	090-124207	. . Foot Casting.....	6
28	091-626713	. . Screw, Hex. Hd. Cap 1-8NC x 4.....	6
29	090-556184	. . Support Assembly.....	2
30	093-016376	. . Channel Weldment (Near Side).....	1
31	093-016368	. . Channel Weldment (Far Side).....	1
32	091-980482	. . Screw, Hex. Hd. Cap 3/8-16NC x 1-1/2.....	16
33	091-993253	. . Washer, Lock 3/8 Std.....	20
34	091-991265	. . Nut, Hex. 3/8-16NC.....	20
35	091-988667	. . Screw, Rd. Hd. Mach. #10-24NC x 5/16.....	8
36	091-993196	. . Washer, Lock #10 Std.....	8
37	091-991117	. . Nut, Hex. #10-24NC.....	8
38	093-016384	. . Channel Weldment (Near Side).....	1
39	093-016350	. . Channel Weldment (Far Side).....	1
40	094-032042	. . Support Weldment.....	1
41	093-017903	. . Drip Lip.....	1
42	091-994186	. . Screw, Rd. Hd. Sheet Metal #10 x 1/4.....	4
43	091-243964	. . Gasket Compound.....	A.R.



REVISED AND  
REDRAWN  
SCL 5-8-82

CONVEYOR ASSEMBLY  
(HYDRAULIC MOTORIZED)

MODEL	FIRST MACH.	LAST MACH.
C-70	156-712604	156-732648
C-80	190-70101	190-77988
C-81	342-74101	342-77121
C-82	343-74101	343-76107
C-1216A	373-77101	373-83822
CE-1216A	387-77101	387-83174
C-1216A-6	378-77101	378-79107

CONVEYOR ASSEMBLY  
(HYDRAULIC MOTORIZED)

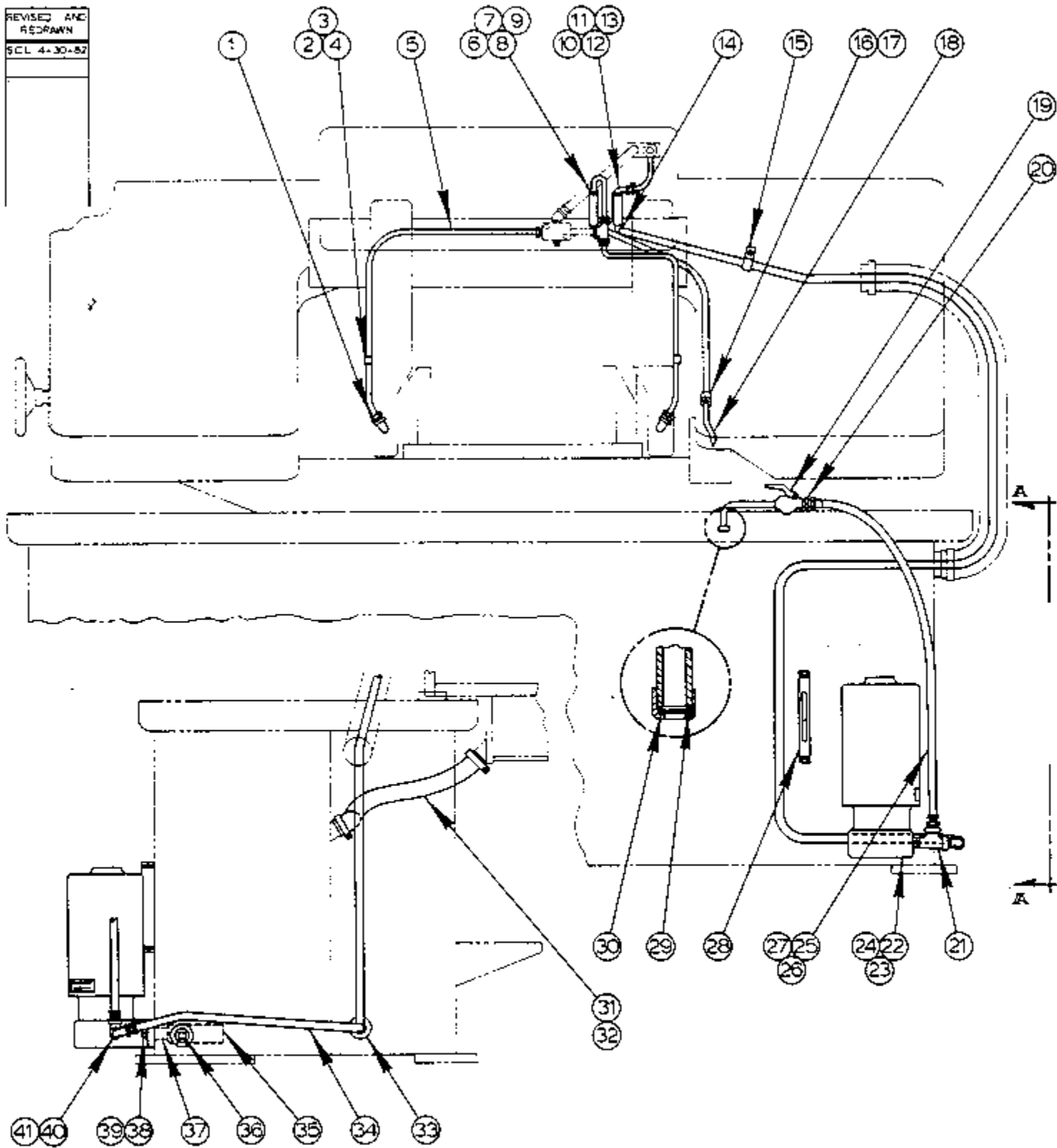
INDEX NO.	CATALOG NO.	DESCRIPTION	UNITS PER ASSY.	INDEX NO.	CATALOG NO.	DESCRIPTION	UNITS PER ASSY.
Ref.	095-009833	Conveyor Ass'y. (C-70, C-80, C-81, C-82, C-1216A, C-1216A-6, C1216A-12, C-1213A)		56	091-067983	End Bar	20
Ref.	095-066965	Conveyor Assembly (CE-1216A)		57	091-980474	Screw, Hex. Hd. Cap 3/8-16NC x 1-1/4	4
1	091-215160	Roller Ass'y. (Single Sprocket)	2	58	091-067975	Support Plate	20
2	094-049236	Guard	1	59	091-980102	Screw, Hex. Hd. Cap 1/4-20NC x 1	12
3	091-980458	Screw, Hex. Hd. Cap 3/8-16NC x 7/8	8	60	091-991158	Nut, Hex. 1/4-20NC	12
4	091-980482	Screw, Hex. Hd. Cap 3/8-16NC x 1-1/2	4	61	091-993212	Washer, Lock 1/4 Std.	12
5	090-137431	Bevel Washer	24	62	091-992602	Washer, Flat 1/4 S.A.E. Std.	12
6	091-993329	Washer, Lock 3/8 Std.	50	63	090-124207	Foot Casting	6
7	091-991265	Nut, Hex. 3/8-16NC	32	64	091-626713	Screw, Hex. Hd. Cap 1-BNC x 4	6
8	094-049277	Guard	1	65	094-049244	Guard	1
9	090-435975	Channel Assembly	1	66	091-215038	Sprocket	1
10	091-216911	Spacer	1	67	105-046049	Woodruff Key	2
11	091-125195	Idler Sprocket	1	68	091-200139	Bearing	2
12	091-980748	Screw, Hex. Hd. Cap 1/2-13NC x 3-1/2	1	69	091-980441	Screw, Hex. Hd. Cap 3/8-16NC x 3/4	6
13	091-991315	Nut, Hex. 1/2-13NC	1	70	094-049285	Guard	1
14	091-215111	Roller Chain	1	71	090-381344	Shaft	1
15	093-029270	Angle	1	72	091-200097	Clutch	1
16	091-980003	Screw, Hex. Hd. Cap #10-24NC x 3/8	14	73	091-200105	Driving Cup	1
17	093-029262	Angle	1	74	091-982629	Screw, Soc. Hd. Cap 5/16-18NC x 1-1/2	3
18	091-130823	Roller Chain	1	75	090-382086	Sprocket	1
19	091-123703	Sprocket	1	76	091-153189	Bearing	1
20	090-255019	Up-Right Assembly	2	77	090-381310	Plate	1
21	094-049228	Guard	1	78	091-982603	Screw, Soc. Hd. Cap 5/16-18NC x 1	2
22	095-009841	Support Assembly	1	79	134-063502	Washer	A.R.
23	094-049269	Guard	1	80	090-365503	Escutcheon (English)	1
24	090-076944	T-Nut	4	81	093-028942	Escutcheon (International)	1
25	091-323832	Guard Assembly	1	82	091-993964	Screw, Rd. Hd. Drive #2 x 3/16	4
26	093-029288	Guard	1	83	091-202176	Shaft	1
27	093-029510	Guard	1		134-135086	Shift Lever Knob	1
28	090-564402	Support Assembly	2				
29	091-215129	Roller Chain	8				
30	094-049251	Guard	1				
31	091-016915	Dowel Pin	40				
32	090-394834	Base Sub-Assembly	2				
33	091-980490	Screw, Hex. Hd. Cap 3/8-16NC x T-3/4	12				
34	090-379827	Bracket Assembly	1				
35	091-980656	Screw, Hex. Hd. Cap 1/2-13NC x 1	4				
36	091-993279	Washer, Lock 1/2 Std.	5				
37	091-992669	Washer, Flat 1/2 S.A.E. Std.	5				
38	094-014313	Fork	1				
39	090-042623	Roll Pin	1				
40	091-199901	Shifter Shoe	2				
41	091-199919	Shifter Shoe Stud	2				
42	091-215152	Roller Ass'y. (Double Sprocket)	8				
43	090-076431	Hex. Shaft	10				
44	091-989095	Screw, Rd. Hd. Mach. 3/8-16NC x 1	20				
45	091-992644	Washer, Flat 3/8 S.A.E. Std.	8				
46	090-436205	Vertical Roller Assembly	2				
	090-436684	Jaw Sub-Assembly	1				
	090-124199	Collar	1				
	090-042334	Roll Pin	1				
	091-982918	Screw, Soc. Hd. Cap 1/2-13NC x 3/4	2				
	090-124181	Bolt	1				
	090-256868	Base Sub-Assembly	1				
	091-992669	Washer, Flat 1/2 S.A.E. Std.	2				
47	090-117227	Roller	4				
48	090-117193	Top Support Plate	4				
49	091-984484	Screw, Soc. Set 3/8-16NC x 3/8	4				
50	091-336826	Shim (.0598)	A.R.				
51	091-336834	Shim (.0299)	A.R.				
52	091-982587	Screw, Soc. Hd. Cap 5/16-18NC x 3/4	40				
53	091-993238	Washer, Lock 5/16 Std.	42				
54	091-992628	Washer, Flat 5/16 S.A.E. Std.	80				
55	091-980698	Screw, Hex. Hd. Cap 1/2-13NC x 2	4				

## Following Not Shown:

093-090603	90° Male Elbow	3
091-006858	4-Way Valve	1
091-989061	Screw, Rd. Hd. Mach. 5/16-18NC x 3/4	4
093-090405	Female Connector	2
091-971390	Nylon Tubing 1/2 O.D.	A.R.
114-035074	Close Nipple	3
091-983718	Screw, Soc. Hd. Cap 3/8-16NC x 1	4
090-146952	Angle Valve	1
135-023448	Pipe Nipple	1
105-115174	Reducer Bushing	2
091-337717	90° Street Elbow	1
093-090611	90° Male Elbow	2
093-090827	90° Female Elbow	1
093-091312	Male Run Tee	1
093-090165	Male Connector	1
091-045062	Grammet	1
091-200956	Hydraulic Motor	1

REVISED AND  
REDRAWN

SCL 4-30-87



VIEW A-A

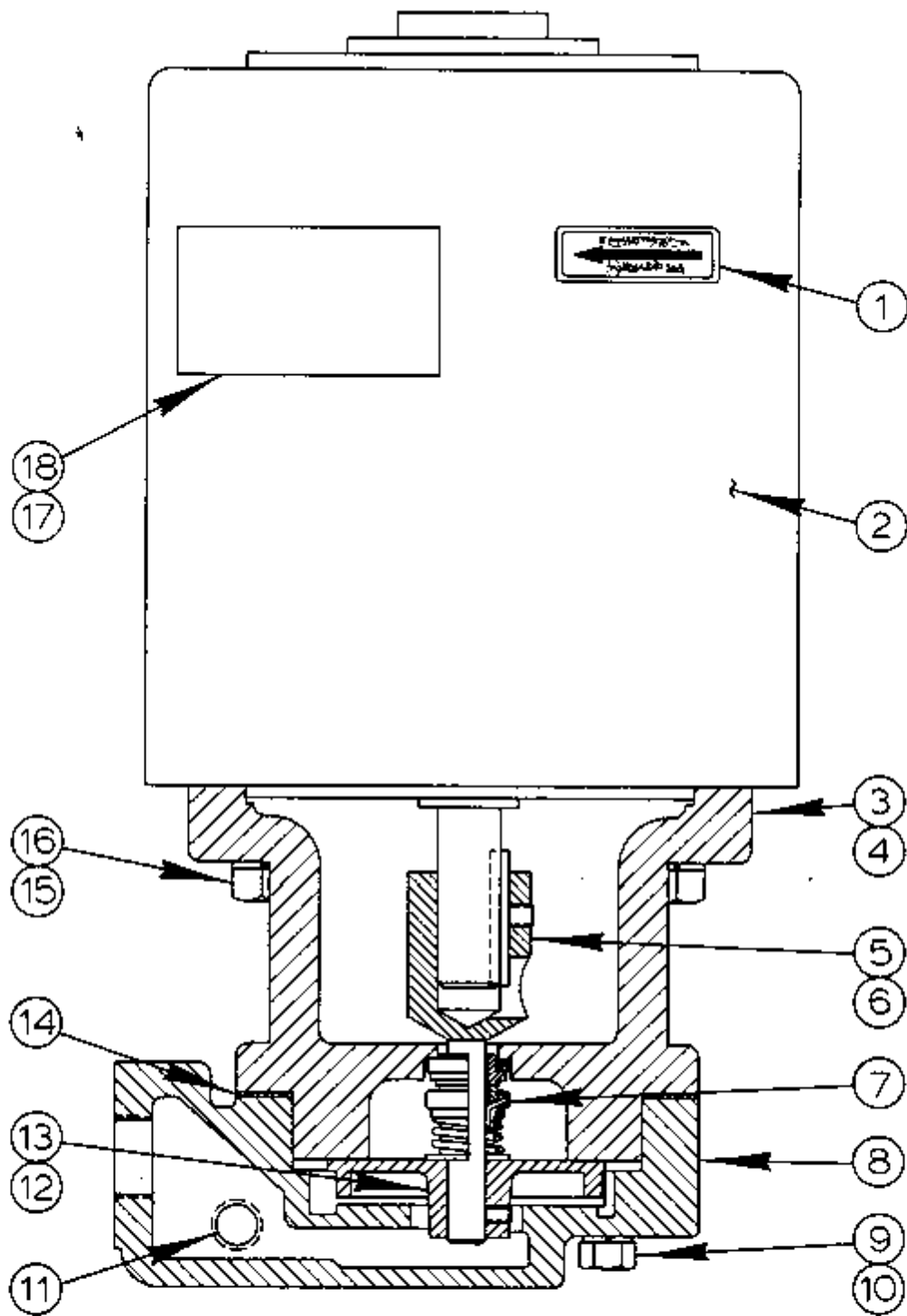
MODEL	FIRST MACH.	LAST MACH.
C-79	300-70101	300-77245
C-80	190-70101	190-77988
C-81	342-74101	342-77121
C-82	343-74101	343-76107

COOLANT ASSEMBLY

COOLANT ASSEMBLY

INDEX NO.	CATALOG NO.	DESCRIPTION	UNITS PER ASS'Y.
Ref.	095-008652	Coolant Assembly	
1	090-042508	. Roll Pin (Orifice of Barbed Insert)	1
2	090-099557	. Tube Clamp	2
3	091-988931	. Screw, Rd. Hd. Mach. 1/4-20NC x 3/8	3
4	091-993741	. Washer, Lock 1/4 Shakeproof Ext.	3
5	091-991440	. Plastic Tubing 1/4 I.D.	A.R.
6	091-626671	. Spacer	4
7	090-160011	. Barbed Insert	3
8	091-292664	. Coupling	1
9	105-045207	. 90° Street Elbow	1
10	091-022988	. Barbed Insert	2
11	090-179037	. Hose Clamp	2
12	091-208686	. Coupling	1
13	090-022312	. 45° Street Elbow	1
14	105-115133	. 90° Street Elbow	1
15	090-148099	. Tubing Clamp	1
16	093-090801	. 90° Female Elbow	1
17	090-152224	. 90° Reducer Elbow	1
18	094-022670	. Nozzle	1
19	090-147570	. Valve	1
20	091-248310	. Hose Coupling	1
21	090-036674	. Service Tee	1
22	090-418781	. Coolant Pump Assembly (See Detail)	1
23	090-046558	. Decal (Rotation)	1
24	090-019802	. Pump Gasket	1
25	091-970947	. Hose, Black Neoprene 11/16 O.D.	A.R.
26	090-096678	. Barbed Insert	1
27	091-044784	. Hose Clamp	1
28	091-086546	. View Gauge	1
29	091-222851	. O-Ring	1
30	091-992578	. Washer, Flat #8 S.A.E. Std.	1
31	091-970996	. Hose 1-3/8 O.D.	A.R.
32	091-128769	. Hose Clamp	2
33	090-068032	. Grommet	1
34	091-970988	. Hose 27/32 O.D.	A.R.
35	090-209214	. Coolant Strainer Assembly	1
	090-036195	. . Screen	2
36	135-065803	. Pipe Plug	1
37	090-019126	. Nipple	1
38	091-991265	. Nut, Hex. 3/8-16NC	2
39	091-993329	. Washer, Lock 3/8 Std.	2
40	114-003478	. 90° Street Elbow	1
41	090-082124	. Barbed Insert	1

REVISED AND  
RECDRAWN  
S.C.L. 4-10-60



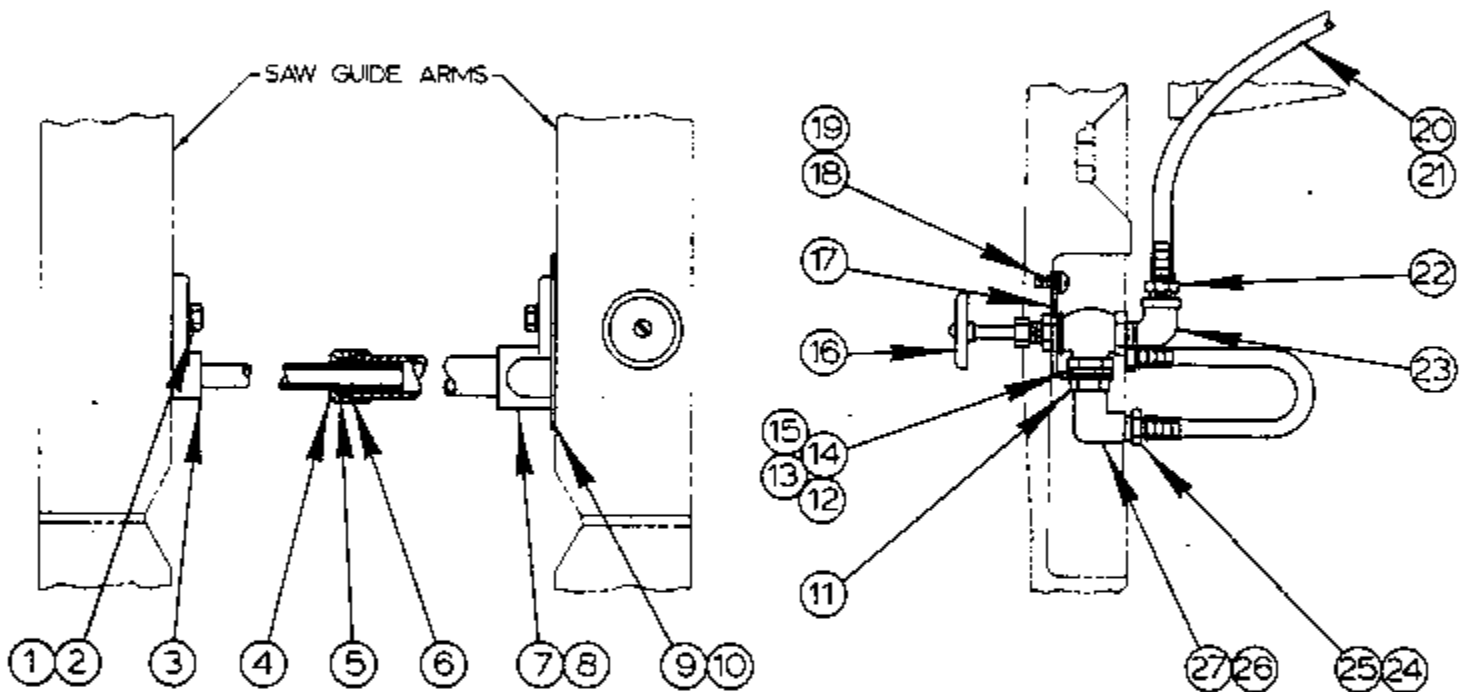
**NOTE:** USED ON SAWS  
IF SUPPLIED.

### COOLANT PUMP ASSEMBLY

CODE NO. CM-8-16  
PS-6-7  
TF-5-60

COOLANT PUMP ASSEMBLY

INDEX NO.	CATALOG NO.	DESCRIPTION	UNITS PER ASS'Y.
Ref.		Coolant Pump Assembly	
1	090-046558	. Rotation Decal .....	1
2		. Motor (Specify Make, Model, Voltage, H.P., Cycle, Phase)	1
3	090-418864	. Adaptor .....	1
4	111-055091	. Pipe Plug .....	1
5	090-071101	. Stub Shaft .....	1
6	091-984328	. Screw, Soc. Set 1/4-28NF x 1/4 .....	1
7	090-029307	. Roto Flex Seal .....	1
8	090-404442	. Impeller Housing .....	1
9	091-980334	. Screw, Hex. Hd. Cap 5/16-18NC x 2 .....	4
10	091-993238	. Washer, Lock 5/16 Std. ....	6
11	091-227488	. Pipe Plug .....	1
12	090-029299	. Impeller (2875-3450 RPM) .....	USE
	090-251067	. Impeller (25-v Motor, 1450 RPM) .....	ONE
13	091-984179	. Screw, Soc. Set #10-32NF x 1/4 .....	1
14	090-029281	. Gasket .....	1
15	091-980474	. Screw, Hex. Hd. Cap 3/8-16NC x 1-1/4 .....	4
16	091-993329	. Washer, Lock 3/8 Std. ....	4
17	091-602078	. Decal (208/60) .....	USE
18	091-602086	. Decal (200/220/380/415/440/50) .....	ONE

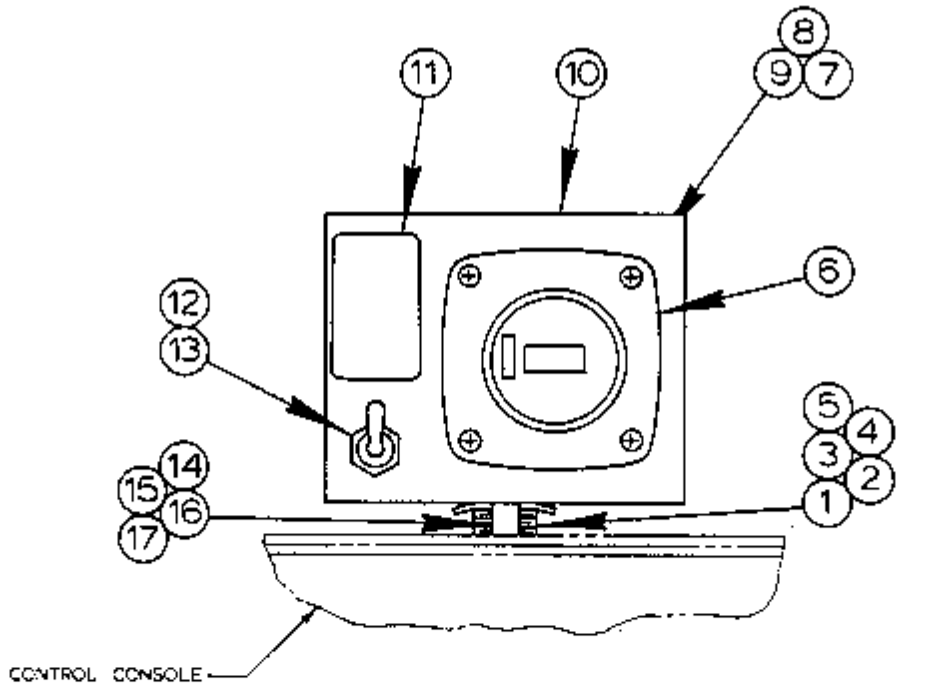


CURTAIN COOLANT ASSEMBLY

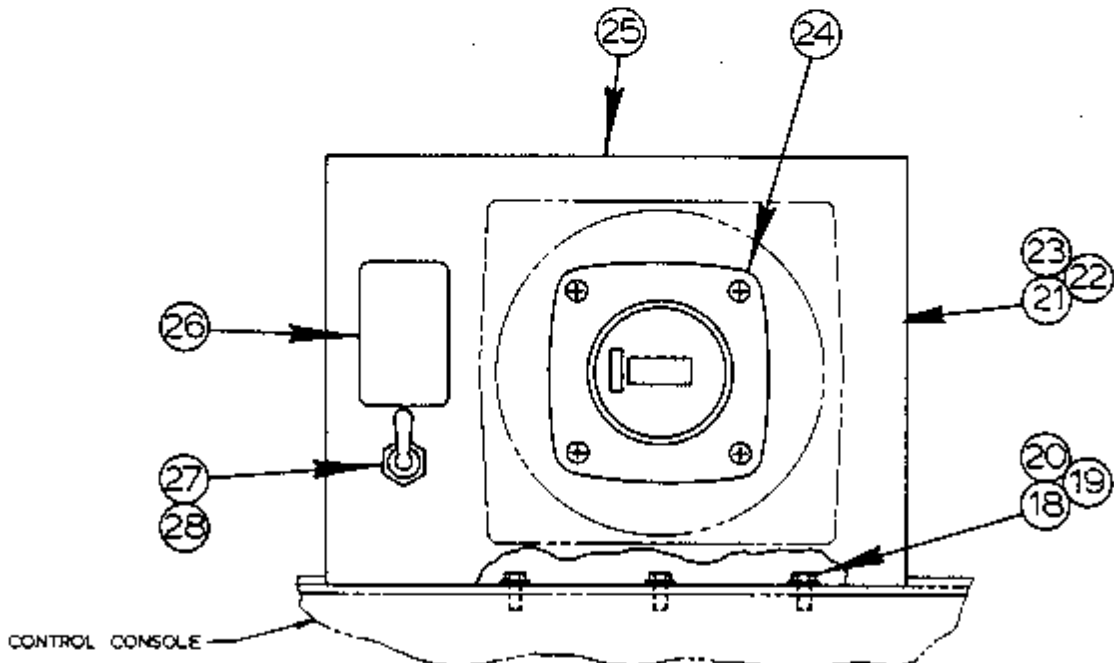
CURTAIN COOLANT ASSEMBLY

INDEX NO.	PART NO.	DESCRIPTION	UNITS PER ASS'Y
Ref.	094-037191	Curtain Coolant Assembly (C-79, C-80, C-81, C-82)	
Ref.	084-079193	Curtain Coolant Assembly (C-179, C-180, C-1216M, CE-1216M, C-1216A, CE-1216A, C-1216A-6, C-1216A-12, CT-1216M, CT-1216A)	
Ref.	084-097112	Curtain Coolant Assembly (C-1220M, CE-1220M, C-1220A, CE-1220A)	
Ref.	084-121771	Curtain Coolant Assembly (C-1213M, CE-1213M, C-1213A, CE-1213A)	
1	091-980052	. Screw, Hex. Hd. Cap 1/4-20NC x 3/8.....	2
	091-980078	. Screw, Hex. Hd. Cap 1/4-20NC x 5/8 (Assy. 084-079193 Only).....	2
2	091-992602	. Washer, Flat 1/4 S.A.E. Std.....	2
3	090-274614	. Slide Tube Weldment.....	1
4	090-154063	. Packing Nut.....	1
5	090-154089	. Neoprene Packing.....	1
6	091-022848	. Brass Washer.....	1
*7	093-018760	. Fixed Tube Weldment.....	1
8	091-227488	. Pipe Plug.....	1
9	091-448258	. Mounting Plate (Assy. 084-079193 Only).....	1
10	091-987610	. Screw, Flat Hd. Mach. 1/4-20NC x 5/8 (Assy. 084-079193 Only).....	2
11	090-170234	. Seal Nut.....	1
12	091-333286	. Spacer (.0149) (Assy. 084-037191 Only).....	A.R.
13	091-333294	. Spacer (.032) (Assy. 084-037191 Only).....	A.R.
14	091-333303	. Spacer (.010) (Assy. 084-037191 Only).....	A.R.
15	091-027664	. Washer.....	1
16	114-035066	. 90° Angle Valve.....	1
17	093-009793	. Bracket (Assy. 084-037191, 084-079193 Only).....	1
	093-089340	. Bracket (Assy. 084-097112 Only).....	1
	093-119121	. Bracket (Assy. 084-121771 Only) (Mounted on Side).....	1
18	091-988931	. Screw, Rd. Hd. Mach. 1/4-20NC x 3/8.....	2
	091-983668	. Screw, Hd. Button 1/4-20NC x 3/8 (Assy. 084-097112 Only)	2
19	091-993741	. Washer, Lock 1/4 Shakeproof Ext.....	2
20	091-971440	. Plastic Tubing 1/4 I.D. (Clear).....	A.R.
21	135-008472	. Service Tee (Not Shown).....	1
22	091-033167	. Barbed Insert.....	3
23	091-050534	. 90° Street Elbow (Assy. 084-037191 Only).....	2
	117-135210	. 90° Street Elbow.....	1
24	091-050534	. 90° Street Elbow (Assy. 084-037191 Only).....	1
25	091-033167	. Barbed Insert.....	1
26	091-209056	. 90° Elbow (Brass) (Assy. 084-037191 Only).....	1
	090-082546	. 90° Street Elbow.....	1
27	114-035074	. Close Nipple.....	1

\*NOTE: Item #7 Was 090-274622 Before Serial #300-73135 On C-79, #190-73375 On C-80 And #302-73111 On C-180.



ASSEMBLIES 091-671263, 091-671271, 091-671289



ASSEMBLIES  
084-037597, 084-086933, 084-089366,  
094-108255, 094-108214, 094-108222

CUTTING RATE TIMER ASSEMBLY

CUTTING RATE TIMER ASSEMBLY

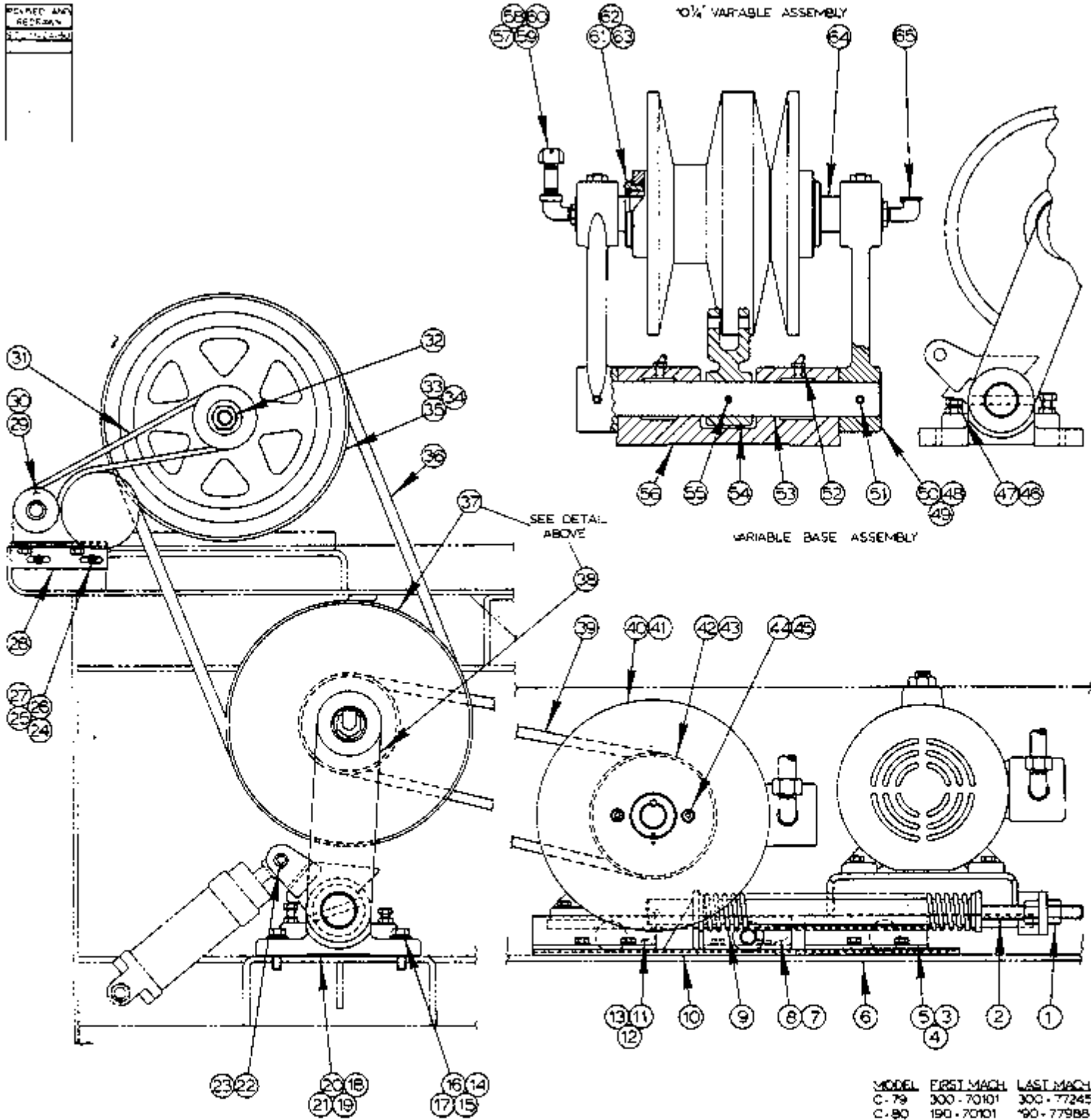
INDEX NO.	PART NO.	DESCRIPTION	UNITS PER ASS'Y
Ref.	091-671263	Cutting Rate Timer Assembly (60 Hz) (C-1216M, C-1216A, C-1216A-6, C-1216A-12, CT-1216A, CT-1216M, C-1220A, C-1220M)	
Ref.	091-671271	Cutting Rate Timer Assembly (50 Hz, 110 v) (CE-1216M, CE-1216A, CE-1220A, CE-1220M)	
Ref.	091-671289	Cutting Rate Timer Assembly (50 Hz, 220 v) (CE-1216M, CE-1216A, CE-1220A, CE-1220M)	
1	091-572164	. Pipe Nipple.....	1
2	090-055930	. Plastic Bushing.....	2
3	090-195439	. Bond Nut.....	3
4	090-144114	. Flange Washer.....	2
5	090-145053	. O-Ring.....	2
6	091-659954	. Digital Timer (60 Hz).....	1
	091-659961	. Digital Timer (50 Hz, 110 v).....	1
	091-659946	. Digital Timer (50 Hz, 220 v).....	1
7	093-121663	. Back Cover.....	1
8	091-572156	. Gasket.....	1
9	091-988519	. Screw, Rd. Hd. Mach. #8-32NC x 1/4.....	8
10	095-112132	. Timer Box Weldment.....	1
11	091-282012	. Escutcheon (Timer) (English).....	1
	091-481911	. Escutcheon (Timer) (International).....	1
12	091-084509	. Toggle Switch.....	1
13	091-244012	. Boot.....	1
14	091-980037	. Screw, Hex. Hd. Cap #10-24NC x 1.....	1
15	091-993733	. Washer, Lock #10 Shakeproof Ext.....	1
16	091-991117	. Nut, Hex. #10-24NC.....	1
17	091-572149	. Spacer.....	1

FOLLOWING NOT SHOWN:

	091-971903	. Wire, #14 Red (Nylon Jacket).....	A.R.
	091-971713	. Wire Marker.....	A.R.
Ref.	084-037597	Cutting Rate Timer Assembly (Dial Timer, 60 Hz) (C-79, C-80, C-81, C-82, C-179, C-180, C-1216M, C-1216A, C-1216A-6, CT-1216M, CT-1216A, C-1220A)	
Ref.	084-086933	Cutting Rate Timer Assembly (Dial Timer, 50 Hz, 110 v) (CE-1216A, CE-1220A)	
Ref.	084-089366	Cutting Rate Timer Assembly (Dial Timer, 50 Hz, 220 v) (CE-1216A, CE-1220A)	
Ref.	094-108255	Cutting Rate Timer Assembly (Dial Timer, 60 Hz) (C-1216M, C-1216A, C-1216A-6, CT-1216M, CT-1216A, C-1220A, C-1213M, C-1213A)	
Ref.	094-108214	Cutting Rate Timer Assembly (Digital Timer, 50 Hz, 110 v) (CE-1216A, CE-1220A, CE-1213M, CE-1213A)	
Ref.	094-108222	Cutting Rate Timer Assembly (Digital Timer, 50 Hz, 220 v) (CE-1216A, CE-1220A, CE-1213M, CE-1213A)	
18	091-980003	. Screw, Hex. Hd. Cap #10-24NC x 3/8.....	3
19	091-993733	. Washer, Lock #10 Shakeproof Ext.....	3
20	091-991117	. Nut, Hex. #10-24NC (Remote Console Mounting Only).....	3
21	091-349084	. Cover.....	1
22	091-349092	. Gasket.....	1
23	091-989384	. Screw, Rd. Hd. Mach. #6-32NC x 3/8.....	12
24	091-349076	. Dial Timer (60 Hz, 50 Hz-110 v).....	1
	091-331728	. Dial Timer (50 Hz, 220 v).....	1
	091-659954	. Digital Timer (60 Hz).....	1
	091-659961	. Digital Timer (50 Hz, 110 v).....	1
	091-659946	. Digital Timer (50 Hz, 220 v).....	1
25	094-056371	. Housing Assembly (Dial Timer).....	1
	094-108248	. Housing Assembly (Digital Timer).....	1
26	091-382012	. Escutcheon (Timer) (English).....	1
	091-481911	. Escutcheon (Timer) (International).....	1
27	091-084509	. Toggle Switch.....	1
28	091-244012	. Boot.....	1

FOLLOWING NOT SHOWN:

	091-971903	. Wire, #14 Red (Nylon Jacket).....	A.R.
	091-971713	. Wire Marker.....	A.R.



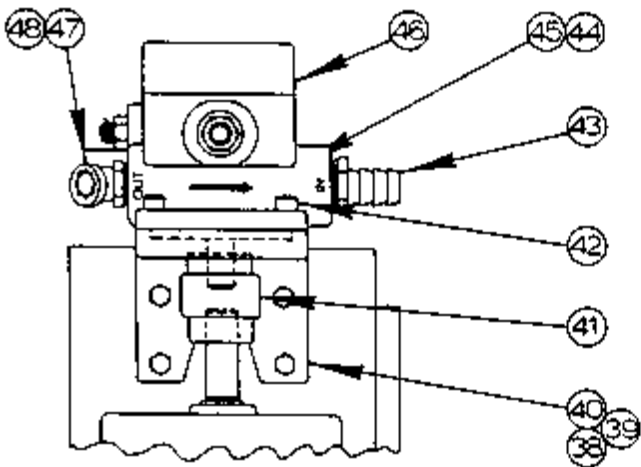
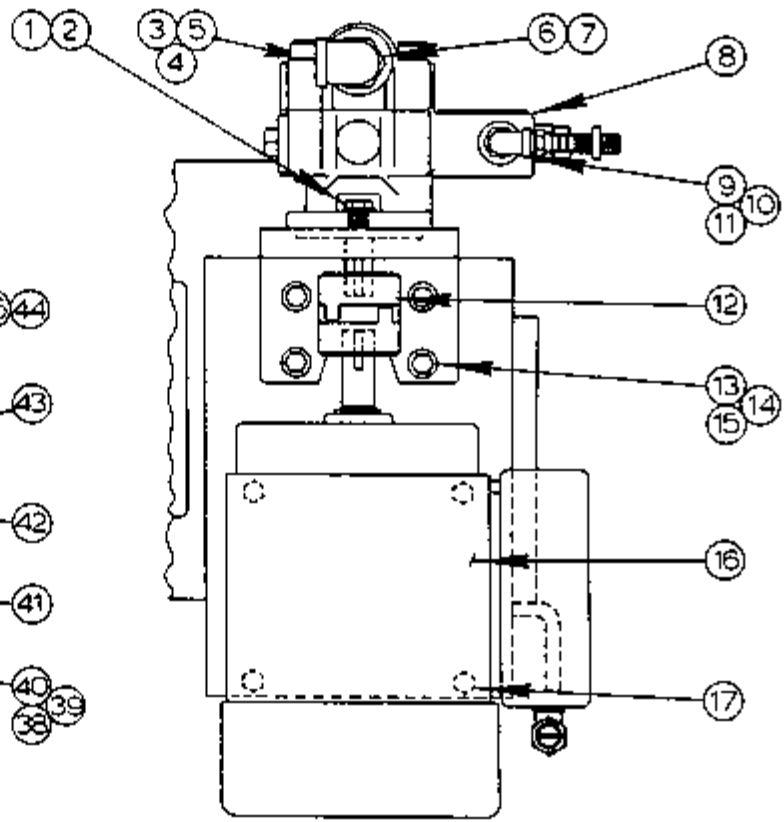
DRIVE ASSEMBLY

MODEL	FIRST MACH	LAST MACH
C-79	300-70101	300-77245
C-80	190-70101	190-77988
C-180	302-70101	302-77129
C-81	342-74101	342-77121
C-82	343-74101	343-78107
C-179	329-74101	329-76105
C-1216M	374-77101	374-83294
C-1216A	373-77101	373-83822
C-1216A-6	378-77101	378-79107
CE-1216A	387-77101	387-83174
CT-1216M	366-77101	366-83104
CT-1216A	385-77101	385-80108

## DRIVE ASSEMBLY

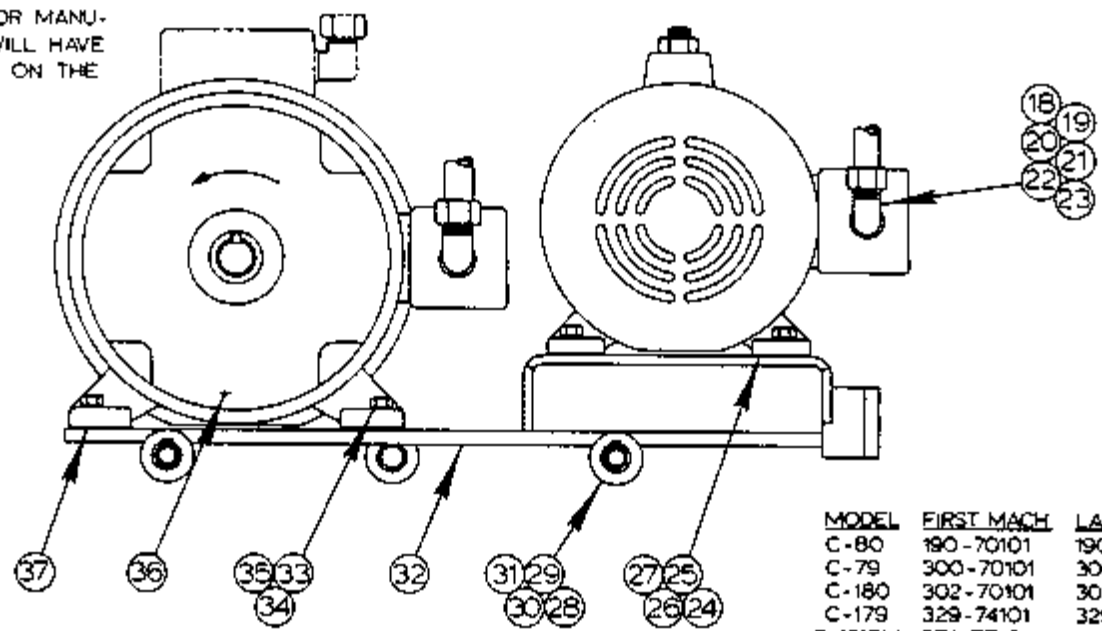
INDEX NO.	CATALOG NO.	DESCRIPTION	UNITS PER ASS'Y	INDEX NO.	CATALOG NO.	DESCRIPTION	UNITS PER ASS'Y
Ref.	095-014155	Drive Assembly		41	090-314618	Flywheel	1
Ref.	095-045928	Drive Assembly (6' and 12' Inder Only)		42	094-026331	Pulley (50 Hz)	1
1	091-991364	Nut, Hex. Jam 5/8-11NC	2		094-006368	Pulley (60 Hz)	1
2	090-388364	Tube Weldment	1		094-085198	Pulley (CE-1216A Only)	1
3	091-334961	Shim (.0598)	A. R.	43	091-054650	Screw, Soc. Set 5/16-18NC x 1/2 (Nylac)	2
4	091-334979	Shim (.0149)	A. R.	44	091-982850	Screw, Soc. Hd. Cap 3/8-16NC x 2-1/2	2
5	091-334987	Shim (.009)	A. R.	45	090-051509	Washer, Lock 3/8 Hi-Collar	2
6		Drive Motor and Base Assy. (See Detail)	1				
7	090-302753	Angle Plate	1				
8	091-030437	Plate	1				
9	091-156844	Spring	1				
10	091-156802	Roller Guide Weldment	1				
11	090-306267	Angle Plate	1	Ref.	090-468042	Variable Base Assembly (85-450 FPM, 26-137 MPM)	
12	091-980292	Screw, Hex. Hd. Cap 5/16-18NC x 1	6	Ref.	090-461450	Variable Base Assembly (60-350 FPM, 18-105 MPM)	
13	091-993238	Washer, Lock 5/16 Std.	6	46	091-980474	Screw, Hex. Hd. Cap 3/8-16 NC x 1-1/4 (85-450 FPM, 26-137 MPM)	2
14	091-980482	Screw, Hex. Hd. Cap 3/8-16NC x 1-1/2	4		091-980466	Screw, Hex. Hd. Cap 3/8-16NC x 1 (60-350 FPM, 18-105 MPM)	2
15	091-993329	Washer, Lock 3/8 Std.	6	47	091-991273	Nut, Hex. Jam 3/8-16NC	2
16	091-992644	Washer, Flat 3/8 S.A.E. Std.	4	48	090-301953	Arm	2
17	090-042730	Roll Pin	2	49	091-984666	Screw, Soc. Set 1/2-13NC x 1	2
18	091-335703	Shim (.005)	A. R.	50	091-991323	Nut, Hex. Jam 1/2-13NC	2
19	091-335711	Shim (.008)	A. R.	51	090-042946	Roll Pin	2
20	091-335729	Shim (.010)	A. R.	52	090-106568	45° Grease Fitting	2
21	091-335737	Shim (.020)	A. R.	53	090-301946	Shaft	1
22	090-014564	Pin	1	54	093-005072	Arm (85-450 FPM, 26-137 MPM)	1
23	135-096139	Retaining Ring	2		090-301938	Arm (60-350 FPM, 18-105 MPM)	1
24	091-982397	Screw, Soc. Hd. Cap 1/4-20NC x 3/4	2	55	090-042870	Roll Pin	1
25	091-993212	Washer, Lock 1/4 Std.	2	56	090-553231	Base	1
26	091-992602	Washer, Flat 1/4 S.A.E. Std.	2				
27	091-991158	Nut, Hex. 1/4-20NC	2				
28	090-388406	Mounting Plate	1				
29	094-039773	Tachometer Drive Assy. (Band Brush) (See Detail)	1				
30	091-990441	Screw, Hex. Hd. Cap 3/8-16NC x 3/4	2	Ref.	093-015071	10-1/4 Variable Assembly	
31	091-036814	V-Belt (3L260)	1	57	135-035061	Hex. Reducer Bushing	1
32	090-102864	Nut, Hex. Jam 5/8-11NC (L.H. Thread)	2	58	117-135210	90° Street Elbow	1
33	094-015393	Input Pulley (85-450 FPM, 26-137 MPM)	1	59	135-023430	Pipe Nipple	1
	094-010485	Input Pulley (60-350 FPM, 18-105 MPM)	1	60	135-066082	Pipe Cap	1
34	105-046023	Woodruff Key	1	61	090-304569	Variable Sub-Assembly (Replace as a Unit)	1
35	091-992677	Washer, Flat 5/8 S.A.E. Std.	1	*62	091-459784	Oil Seal	2
36	090-121955	Belt (RVS 25)	1	*63	093-069667	Sleeve Assembly	1
37	093-015071	10-1/4 Variable Assy. (See Detail)	1	64	094-039047	Shaft	1
38	090-468042	Variable Base Assy. (85-450 FPM, 26-137 MPM) (See Detail)	1	65	091-286609	Filler View Gage	1
	090-461450	Variable Base Assy. (60-350 FPM, 18-105 MPM) (See Detail)	1				
39	091-038513	Belt (RVS 53) (85-450 FPM, 60-350 FPM, 26-137 MPM)	1				
	090-170119	Belt (RVS 44) (18-105 MPM)	1				
40	090-398009	Pulley and Flywheel Assy. (50 Hz)	1				
	090-388372	Pulley and Flywheel Assy. (60 Hz)	1				
	093-066397	Pulley and Flywheel Assy. (CE-1216A Only)	1				

NOTE: #62, 091-459784 was 091-283960 Oil Seal and #63, 093-069667 was 090-302514 Sleeve Assy. Before Serial #374-78115 on C-1216A, #373-78197 on C-1216A, #378-78104 on C-1216A-6, #387-78103 on CE-1216A.



FOR MACHINES WITH PVR1 HYDRAULIC PUMPS

NOTE: CERTAIN MOTOR MANUFACTURERS WILL HAVE CONDUIT BOX ON THE TOP

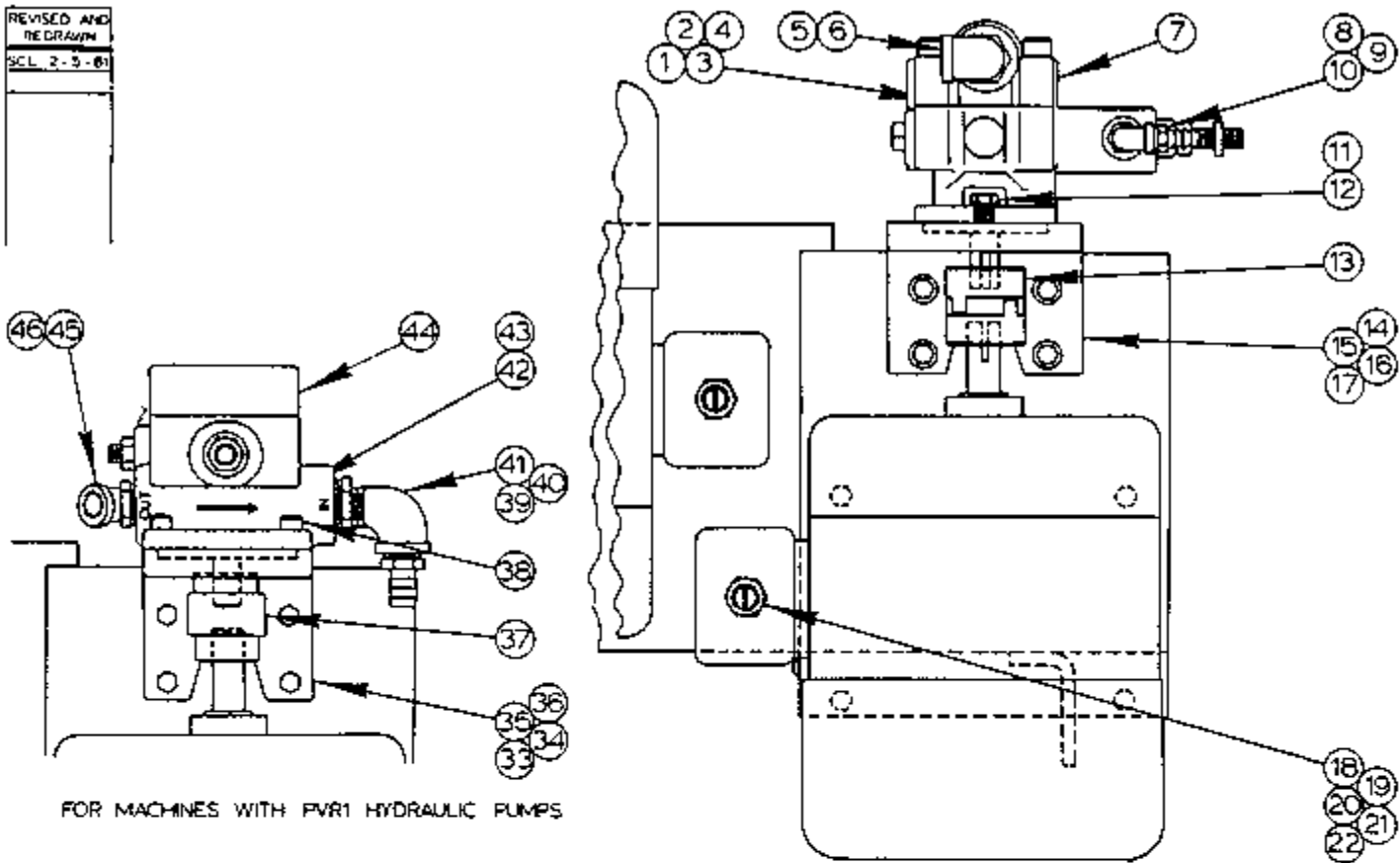


MODEL	FIRST MACH	LAST MACH
C-80	190-70101	190-77988
C-79	300-70101	300-77245
C-180	302-70101	302-77129
C-179	329-74101	329-76106
C-1216M	374-77101	374-83234
C-1216A	373-77101	373-83822
CE-1216A	387-77101	387-83174
CT-1216M	386-77101	386-83104
CT-1216A	385-77101	385-80108

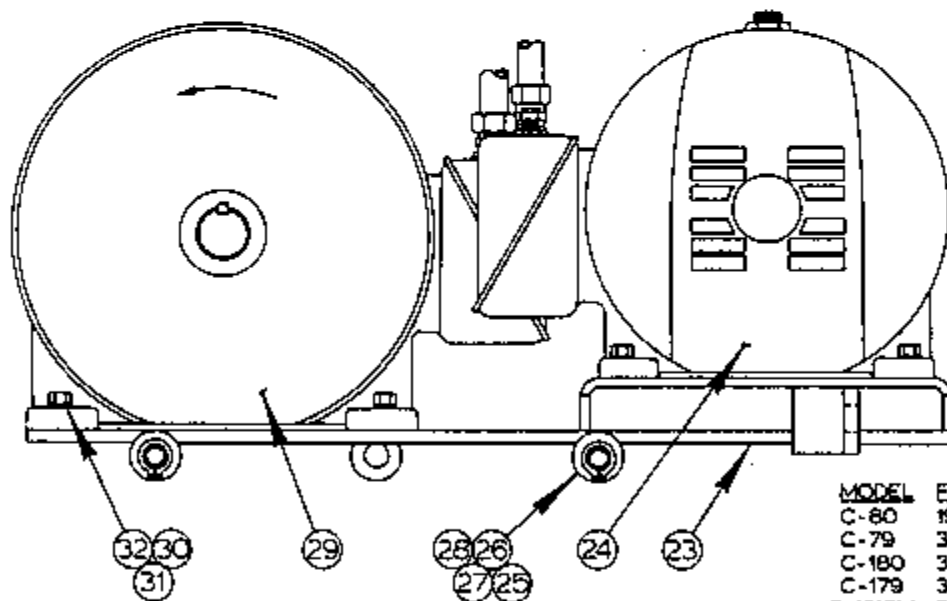
DRIVE MOTOR AND BASE ASSEMBLY



REVISED AND  
 RE-DRAWN  
 SCL 2-5-61



FOR MACHINES WITH FVR1 HYDRAULIC PUMPS



MODEL	FIRST MACH.	LAST MACH.
C-80	190-70101	190-77988
C-79	300-70101	300-77245
C-180	302-70101	302-77129
C-179	329-74101	329-78108
C-1218M	374-77101	374-83234
C-1218A	373-77101	373-83622
CT-1218M	386-77101	386-83104
CT-1218A	385-77101	385-80108

DRIVE MOTOR AND BASE  
 ASSEMBLY  
 (U FRAME AND 7EQ)

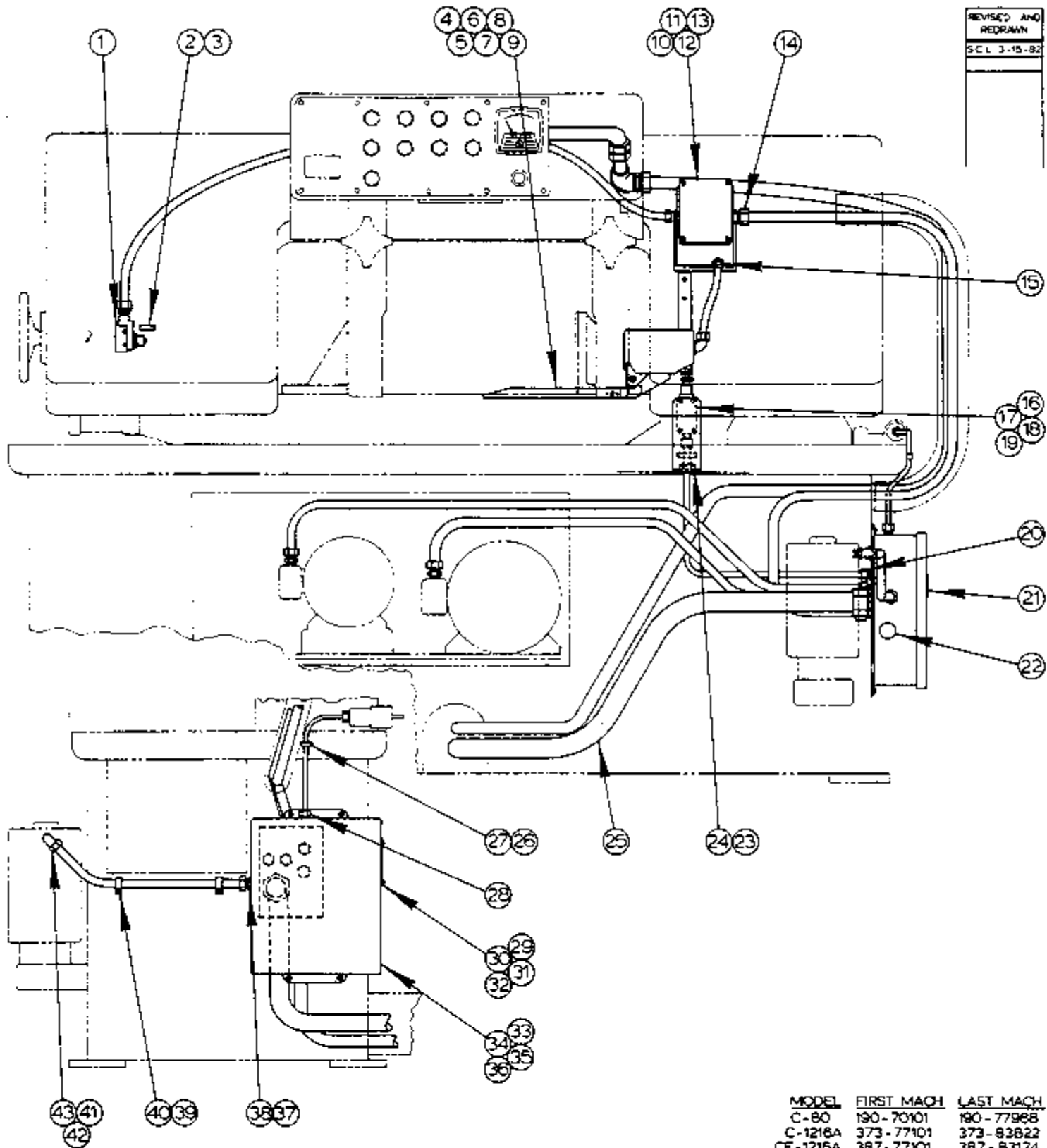
DRIVE MOTOR AND BASE ASSEMBLY

INDEX NO.	CATALOG NO.	DESCRIPTION	UNITS PER ASS'Y.
Ref.	095-002754	Drive Motor and Base Assembly (U Frame)	
Ref.	095-050811	Drive Motor and Base Assembly (7 EQ)	
1	090-057332	. Hex. Reducer Bushing	1
2	090-029737	. 90° Street Elbow	1
3	091-220657	. Barbed Insert	1
4	091-163832	. Female Pipe Adaptor	1
5	091-285270	. Female Pipe Adaptor	1
6	114-003478	. 90° Street Elbow	1
7	091-564567	. Hydraulic Pump (PVR6)	1
8	117-135210	. 90° Street Elbow	1
9	090-020041	. Barbed Insert	1
10	091-072223	. Adaptor	1
11	091-980474	. Screw, Hex. Hd. Cap 3/8-16NC x 1-1/4	2
12	091-992644	. Washer, Flat 3/8 S.A.E. Std.	2
13	091-561258	. Flexible Coupling	1
14	094-121134	. Foot Mounting Bracket	1
15	091-213819	. Spacer	2
16	091-980334	. Screw, Hex. Hd. Cap 5/16-18NC x 2	4
17	091-993238	. Washer, Lock 5/16 Std.	4
18	091-971564	. Sealrite Conduit 1/2"	A.R.
19	091-971853	. Wire, #12 Black (Nylon Jacket)	A.R.
20	091-338277	. Wire Connector	A.R.
21	090-145459	. Sealrite Connector	2
22	090-195439	. Bond Nut	2
23	094-020401	. Motor Base Weldment	1
24	091-394015	* . Electric Motor (U Frame)	1
	091-403717	* . Electric Motor (7 EQ)	1
25	091-012682	. Bearing	3
26	135-064269	. Retaining Ring	6
27	091-335976	. Shim (.010)	A.R.
28	091-335984	. Shim (.020)	A.R.
29	091-394023	* . Electric Motor (U Frame)	1
	091-403659	* . Electric Motor (7 EQ)	1
30	091-980458	. Screw, Hex. Hd. Cap 3/8-16NC x 7/8	8
31	091-993329	. Washer, Lock 3/8 Std.	10
32	091-025270	. Spacer	4

For Machines With PVR1 Hydraulic Pumps:

33	094-004967	. Foot	1
34	091-213819	. Spacer	2
35	091-982645	. Screw, Soc. Hd. Cap 5/16-18NC x 2	4
36	091-993238	. Washer, Lock 5/16 Std.	4
37	091-079640	. Coupling	1
38	091-982801	. Screw, Soc. Hd. Cap 3/8-16NC x 1-1/4	4
39	090-057332	. Hex. Reducer Bushing	1
40	090-029737	. 90° Street Elbow	1
41	091-220657	. Barbed Insert	1
42	105-115133	. 90° Street Elbow	1
43	090-149287	. Barbed Insert	1
44	091-527994	. Hydraulic Pump (PVR1)	1
45	090-021874	. 45° Street Elbow	1
46	090-175357	. Hex. Reducer Bushing	1

\*NOTE: When ordering Electric Motor, please specify, Make, Model, H.P., RPM, Voltage, Phase, Cycle.



MODEL	FIRST MACH	LAST MACH
C-80	190-70101	190-77988
C-1216A	373-77101	373-83822
CE-1216A	387-77101	387-83174

ELECTRICAL ASSEMBLY

## ELECTRICAL ASSEMBLY

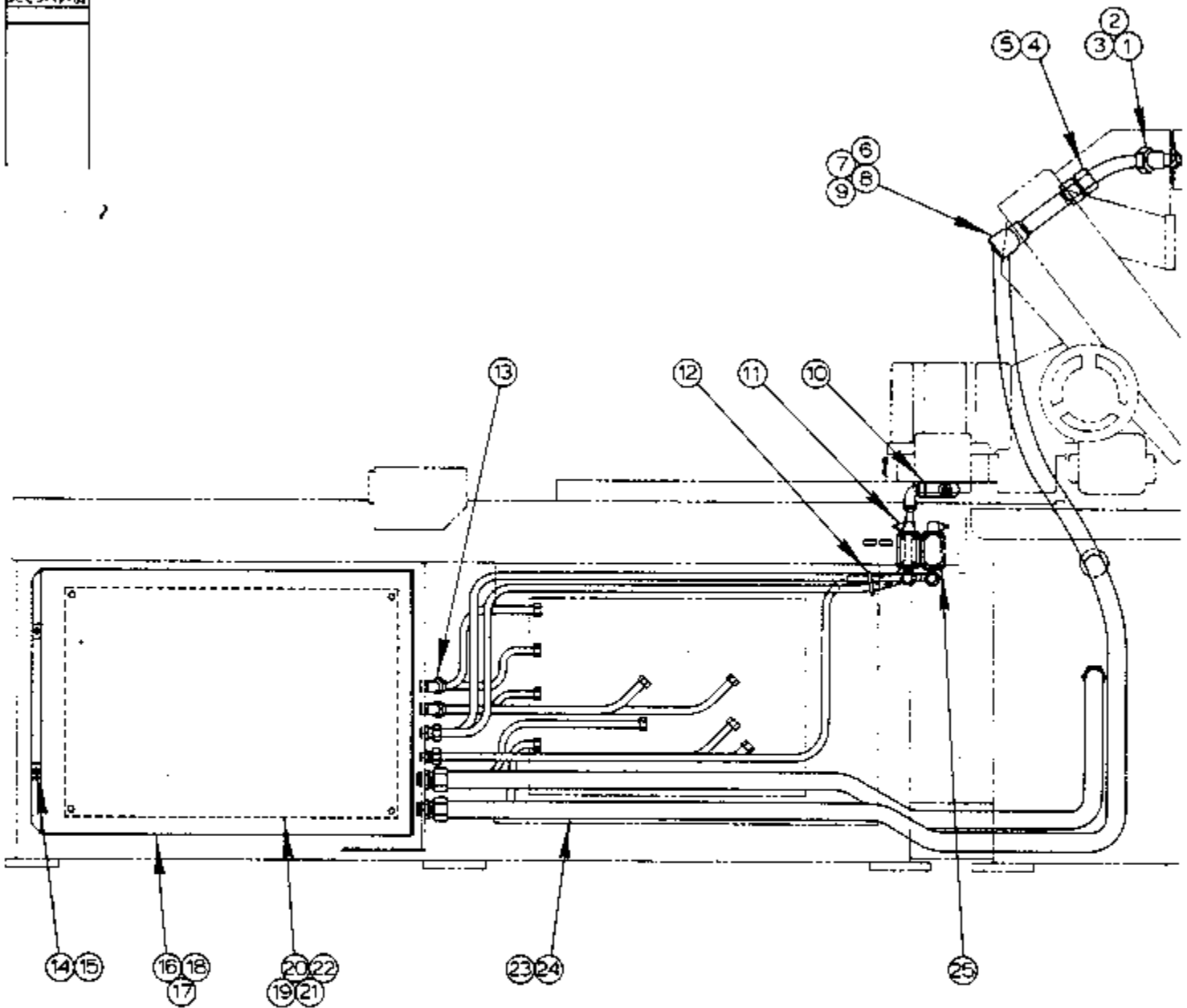
INDEX NO.	CATALOG NO.	DESCRIPTION	UNITS PER ASS'Y.
Ref.	095-001533	Electrical Assembly (C-80)	
Ref.	091-575894	Electrical Assembly (C-1216A)	
Ref.	091-538058	Electrical Assembly (CE-1216A)	
1	093-004729	. Limit Switch Sub-Assembly (C-80, C-1216A) .....	1
	093-074037	. Limit Switch Sub-Assembly (CE-1216A) .....	1
2	090-091356	. Escutcheon (Limit Switch No.) (English) .....	6
	091-073684	. Escutcheon (Limit Switch No.) (International) .....	6
3	091-993964	. Screw, Rd. Hd. Drive #2 x 3/16 .....	16
4	*095-036927	. Head Raise Limit Assembly (See Detail) (C-80) .....	1
	091-529834	. Head Raise Limit Assembly (See Detail) (C-1216A, CE-1216A) .....	1
5	091-980128	. Screw, Hex. Hd. Cap 1/4-20NC x 1-1/2 .....	2
6	091-992602	. Washer, Flat 1/4 S.A.E. Std. ....	2
7	091-334961	. Shim (.0598) .....	A.R.
8	091-334979	. Shim (.0149) .....	A.R.
9	091-334987	. Shim (.005) .....	A.R.
10	094-019437	. Wiring Box .....	1
11	091-988931	. Screw, Rd. Hd. Mach. 1/4-20NC x 3/8 .....	8
12	091-993212	. Washer, Lock 1/4 Std. ....	10
13	091-338269	. Wire Connector .....	A.R.
14	093-004778	. Conduit Sub-Assembly (C-80, C-1216A) .....	1
	093-072320	. Conduit Sub-Assembly (CE-1216A) .....	1
15	090-145459	. Sealite Connector .....	4
16	093-075117	. Limit Switch Sub-Assembly (C-80, C-1216A) .....	1
	093-074052	. Limit Switch Sub-Assembly (CE-1216A) .....	1
17	091-988790	. Screw, Rd. Hd. Mach. #10-24NC x 1-3/4 .....	12
18	091-993196	. Washer, Lock #10 Std. ....	12
19	091-673293	. Cable Hanger (C-1216A, CE-1216A Only) .....	4
20	090-107897	. Cord Grip Connector .....	3
21	090-161563	. Escutcheon (Warning) (English) .....	3
	091-061978	. Escutcheon (Warning) (International) .....	3
22	091-351064	. Hole Seal .....	1
23	094-087005	. Bracket (C-80, C-1216A) .....	1
	094-121159	. Bracket (CE-1216A) .....	1
24	091-991455	. Nut, Hex. Jam 7/8-14NF .....	1
25	093-008670	. Conduit Sub-Assembly (C-80, C-1216A) .....	1
	093-075026	. Conduit Sub-Assembly (CE-1216A) .....	1
26	090-182817	. Nylon Clamp .....	1
27	091-988519	. Screw, Rd. Hd. Mach. #8-32NC x 1/4 .....	1
28	090-151390	. Cord Grip Connector .....	1
29	091-286575	. Cover Plate .....	1
30	091-286583	. Gasket .....	1
31	091-988535	. Screw, Rd. Hd. Mach. #8-32NC x 3/8 .....	4
32	091-993717	. Washer, Lock #8 Shakeproof .....	4
33	**093-015113	. Electrical Control Box Assembly .....	1
34	**091-113183	. Terminal Mounting Kit .....	1
35	091-349720	. Terminal Block .....	24
36	091-349738	. Terminal Block End Section .....	2
37	090-144114	. Flange Washer .....	11
38	090-145053	. O-Ring .....	11
39	090-165598	. Cable Hanger Clamp .....	2
40	091-988675	. Screw, Rd. Hd. Mach. #10-24NC x 3/8 .....	2
41	091-971564	. Sealite Conduit 1/2" .....	A.R.
42	090-145046	. 90° Sealite Connector .....	1
43	091-971853	. Wire, #12 Black (Nylon Jacket) .....	A.R.

\*NOTE: #4 Was 095-001590 Before Serial #190-74551 on C-80 Only.

\*\*NOTE: #33 was 090-388562 and #34 was 091-212589 Before Serial #190-73276 on C-80 Only.



2

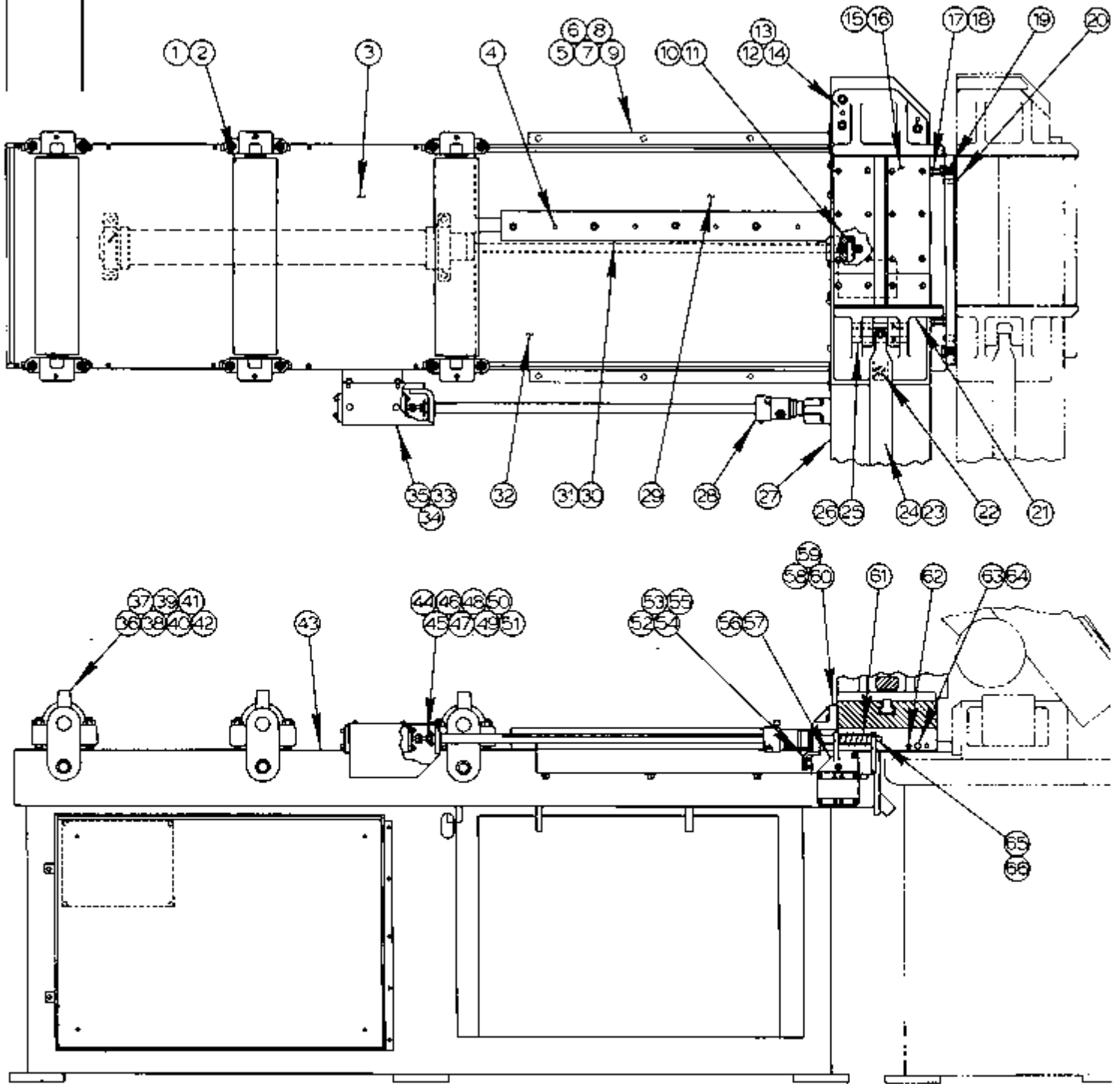


MODEL	FIRST MACH	LAST MACH
C-80	190-70101	190-77988
C-1216A	373-77101	373-83822
CE-1216A	387-77101	387-83174

ELECTRICAL ASSEMBLY

## ELECTRICAL ASSEMBLY

INDEX NO.	CATALOG NO.	DESCRIPTION	UNITS PER ASS'Y.
Ref.	095-001533	Electrical Assembly (C-80)	
Ref.	091-575894	Electrical Assembly (C-1216A)	
Ref.	091-538058	Electrical Assembly (CE-1216A)	
1	090-146887	. 45° Sealite Connector .....	1
2	090-146879	. Flange Washer .....	1
3	090-148081	. O-Ring .....	1
4	090-179276	. Female Sealite Connector .....	1
5	091-971598	. Sealite Conduit 1" .....	A.R.
6	090-162256	. Unilet .....	1
7	090-116393	. Pipe Nipple .....	1
8	090-172594	. Unilet Cover .....	1
9	090-172605	. Unilet Gasket .....	1
10	093-076099	. Limit Switch Sub-Assembly (C-80, C-1216A) .....	1
	093-074045	. Limit Switch Sub-Assembly (CE-1216A) .....	1
11	093-075125	. Limit Switch Sub-Assembly (C-80, C-1216A) .....	1
	093-074060	. Limit Switch Sub-Assembly (CE-1216A) .....	1
12	091-069674	. Cable Tie .....	A.R.
13	090-145079	. 45° Sealite Connector .....	6
14	135-069664	. O-Ring .....	2
15	091-988998	. Screw, Rd. Hd. Mach. 1/4-20NC x 1 .....	2
16	094-018959	. Door Assembly .....	1
17	091-988675	. Screw, Rd. Hd. Mach. #10-24NC x 3/8 .....	A.R.
18	091-993196	. Washer, Lock #10 Std. ....	A.R.
19	095-001574	. Control Panel Assembly (Relay) (See Detail) (C-80).	1
		. Control Panel Assembly (Relay) (See Detail) (C-1216A, CE-1216A) .....	1
20	091-991232	. Nut, Hex. Jam 5/16-18NC .....	4
21	091-991224	. Nut, Hex. 5/16-18NC .....	4
22	091-993758	. Washer, Lock 5/16 Shakeproof Ext. ....	4
23	093-067411	. Conduit Sub-Assembly .....	1
24	091-971903	. Wire, #14 Red (Nylon Jacket) .....	A.R.
25	093-075133	. Limit Switch Sub-Assembly (C-80, C-1216A) .....	1
	093-074078	. Limit Switch Sub-Assembly (CE-1216A) .....	1



MODEL	FIRST MACH.	LAST MACH.
C-80	190-70101	190-77988

FEED TABLE ASSEMBLY  
(0" TO 24" INDEX)

## FEED TABLE ASSEMBLY

INDEX NO.	PART NO.	DESCRIPTION	UQTS PER ASS'Y
Ref.	095-000626	Feed Table Assembly (6" to 24" Index)	
1	090-099730	Roller	3
2	091-051359	Spacer (.375)	3
*3	094-030630	Rear Cover	1
4	135-004455	Dowel Pin	9
5	090-388299	Slide	2
6	091-980342	Screw, Hex. Hd. Cap 5/16-18NC x 2-1/2	8
7	091-992628	Washer, Flat 5/16 S.A.E. Std.	8
8	091-241067	Shim (.003)	A.R.
9	091-241075	Shim (.005)	A.R.
10	090-167768	Collar	2
	091-982363	Screw, Soc. Hd. Cap 1/4-20NC x 1/2	2
†12	094-047859	Fixed Jaw	1
†13	091-281683	Wear Plate	2
14	091-982959	Screw, Soc. Hd. Cap 1/2-13NC x 1-1/2	3
15	090-389748	Rear Strap	4
16	090-150350	Screw, Flat Hd. Mach. 1/4-20NC x 5/8	36
17	091-980490	Screw, Hex. Hd. Cap 3/8-16NC x 1-3/4	2
18	091-991273	Nut, Hex. Jam 3/8-16NC	2
19	091-980680	Screw, Hex. Hd. Cap 1/2-13NC x 1-3/4	2
20	091-984666	Screw, Soc. Set 1/2-13NC x 1	4
†21	094-037538	Movable Jaw	1
22	091-168161	Screw, Soc. Hd. Cap 1/2-13NC x 1 (Hy10x)	2
**23	093-040004	Pawl (15-5/16" Long)	1
**24	093-039998	Pawl (21-5/16" Long)	1
25	090-148412	Pin	2
26	091-984229	Screw, Soc. Set 1/4-20NC x 1/4	2
*27	095-014353	Index Vise Sub-Assembly (See Detail)	1
28	090-385964	Micrometer Assembly (Inch) (See Detail)	1
	093-009058	Micrometer Assembly (Metric) (See Detail)	1
*29	095-014312	Right Cover	1
*30	094-030806	Slide Rail	1
31	091-983718	Screw, Soc. Hd. Cap 3/8-16NC x 1	6
*32	095-014320	Left Cover	1
33	091-988667	Screw, Rd. Hd. Mach. #10-24NC x 5/16	2
34	091-993196	Washer, Lock #10 Std.	2
35	094-017506	Cover	1
36	090-245069	Bracket	6
37	091-980672	Screw, Hex. Hd. Cap 1/2-13NC x 1-1/2	16
38	091-991323	Nut, Hex. Jam 1/2-13NC	12
39	091-993279	Washer, Lock 1/2 Std.	8
40	091-992669	Washer, Flat 1/2 S.A.E. Std.	8
41	091-984690	Screw, Soc. Set 1/2-13NC x 2-1/2	12
42	091-984526	Screw, Soc. Set 3/8-16NC x 1	6
*43	095-014122	Feed Table Weldment	1
44	091-211771	Bearing Block Sub-Assembly	1
45	091-982421	Screw, Soc. Hd. Cap 1/4-20NC x 1	2
46	091-993741	Washer, Lock 1/4 Shakeproof Ext.	3
47	090-182437	Washer	1
48	091-996207	Screw, Sq. Hd. Set 1/4-20NC x 1	1
49	091-224535	Shim (.032)	A.R.
50	091-224543	Shim (.015)	A.R.
51	091-224550	Shim (.010)	A.R.
52	091-211730	Bracket	1
53	091-988428	Screw, Rd. Hd. Mach. #6-32NC x 5/8	2
54	091-980086	Screw, Hex. Hd. Cap 1/4-20NC x 3/4	1
55	091-991141	Nut, Hex. Jam 1/4-20NC	2
56	090-388281	Switch Bracket Sub-Assembly	1
57	091-982645	Screw, Soc. Hd. Cap 5/16-18NC x 2	2
58	091-211664	Screw, Soc. Set 1/4-20NC x 5/8 (Dog Pt.)	1
59	094-006830	Bracket	1
60	091-982421	Screw, Soc. Hd. Cap 1/4-20NC x 1	4
61	091-259465	Spring	1
62	091-984401	Screw, Soc. Set 5/16-18NC x 1	2
63	091-980318	Screw, Hex. Hd. Cap 5/16-18NC x 1-1/2	2
64	091-993238	Washer, Lock 5/16 Std.	12
65	091-173609	Actuator	1
66	091-982207	Screw, Soc. Hd. Cap #10-24NC x 1/2	1

FOLLOWING NOT SHOWN:

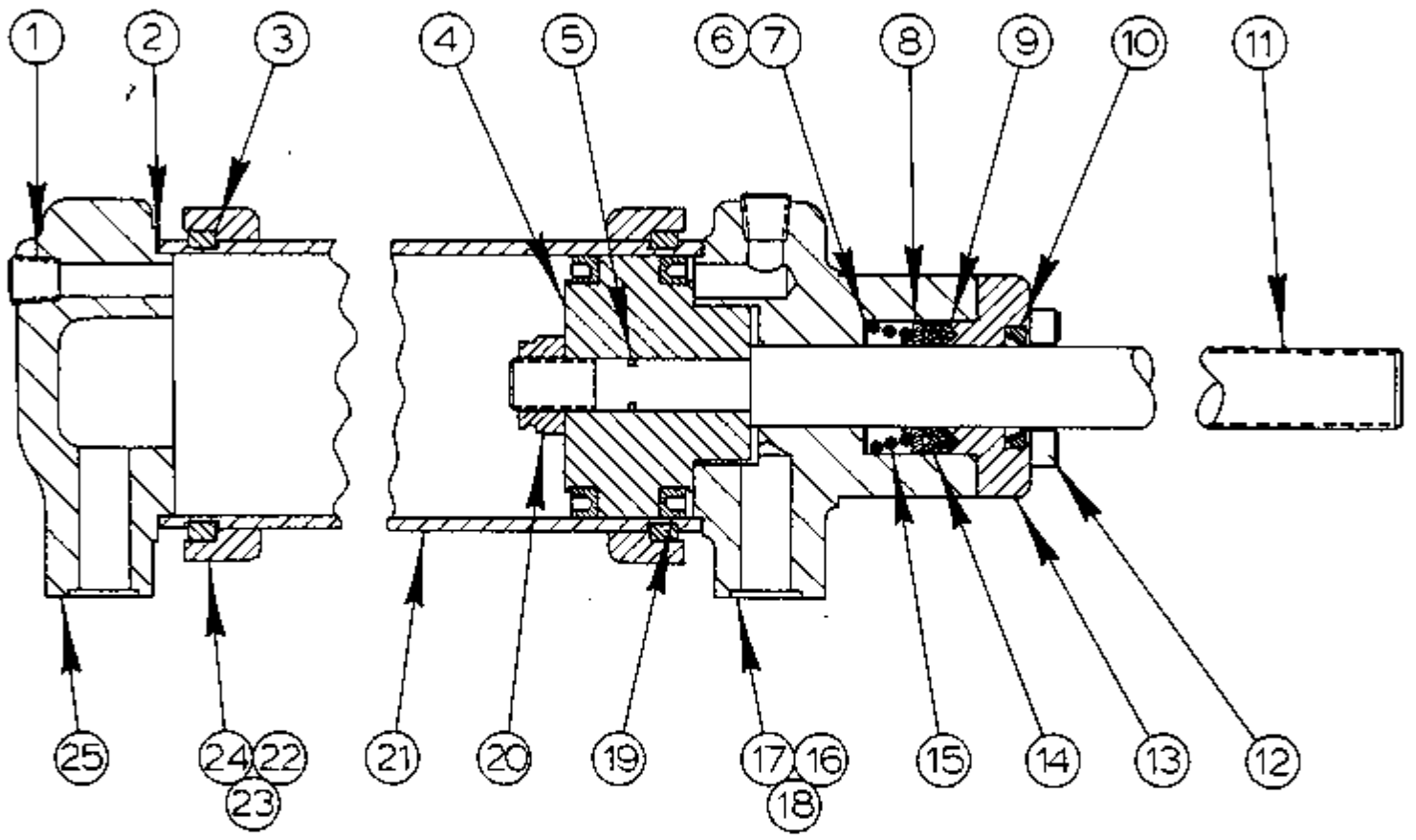
091-972364 Grommet Strap 1/8" A.R.

\*NOTE: Item #3 Was 094-018785, Item #27 Was 095-000634, Item #29 Was 094-017480, Item #30 Was 090-388307, Item #32 Was 094-017498 And Item #43 Was 095-000642 Before Serial #190-71169.

\*\*NOTE: Item #23 Was 090-274721 And Item #24 Was 090-274705 Before Serial #190-75297.

†NOTE: Item #12 Was 090-461310, #13 Was 091-034801, And #21 Was 090-459579 Before Serial #190-72269.

REVISED AND REDRAWN
SCL 12-22-80
SCL 4-13-82



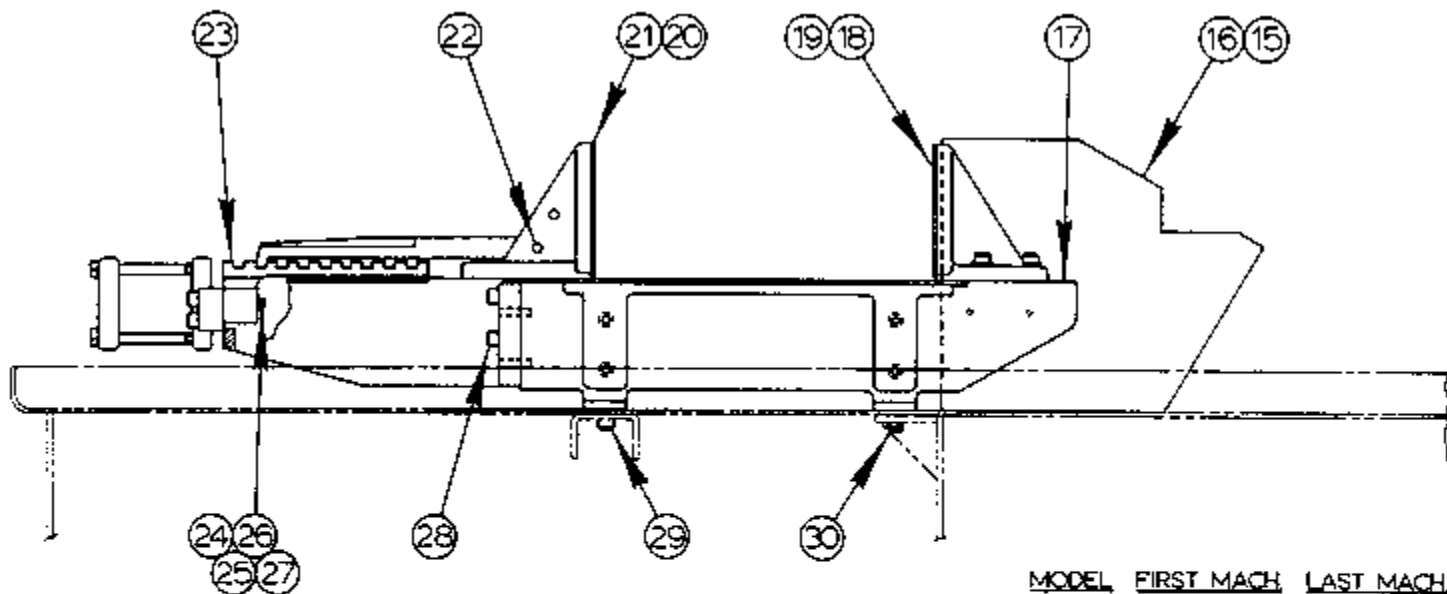
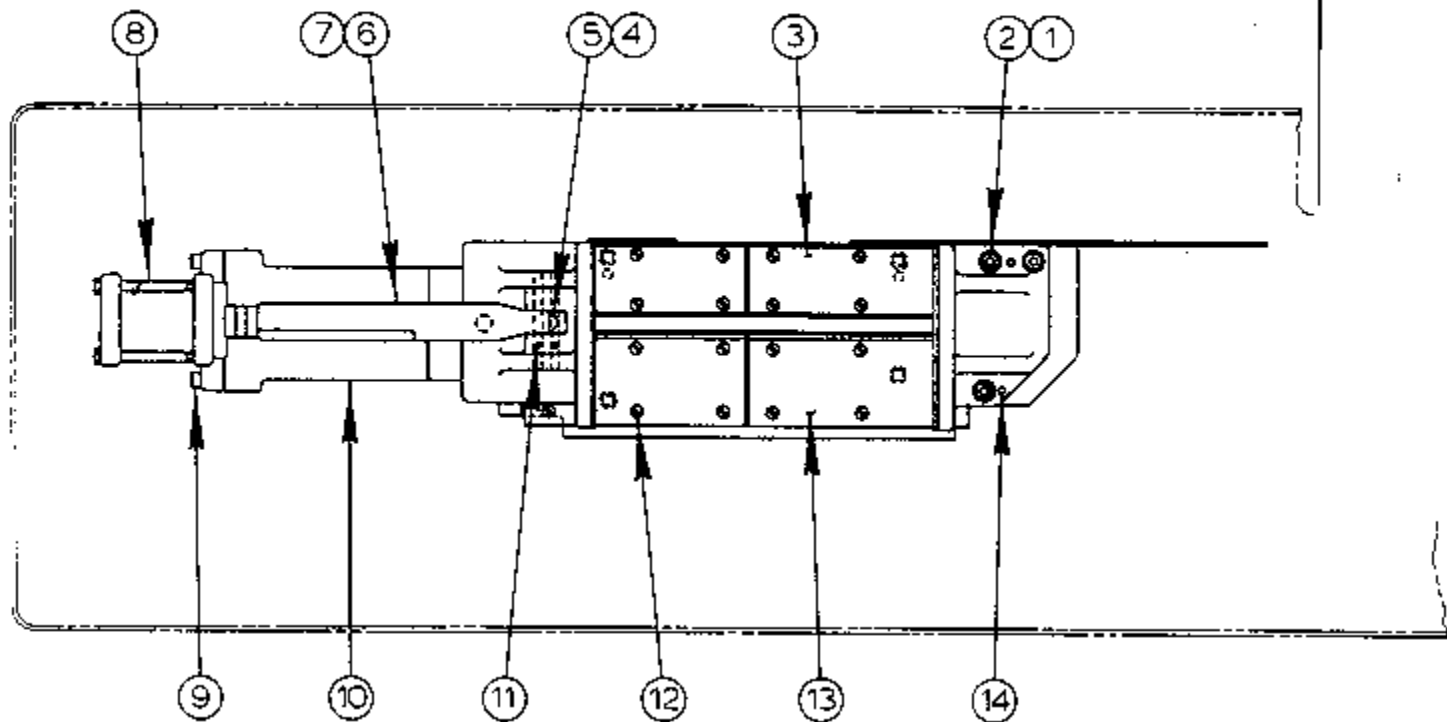
MODEL	FIRST MACH.	LAST MACH.
C-80	190-70101	190-77988
C-180	302-70101	302-77129
TF-18A	322-72101	322-78155
TF-1421HA	365-76101	365-83209
TFE-1421HA	404-79101	404-83113
C-1212A	372-77101	372-80192
C-1216A	373-77101	373-83822
CE-1216A	387-77101	387-83174
CT-1216A	385-77101	385-80108
C-1213A	412-80101	412-83194
CE-1213A	418-81101	418-83110

FEED TABLE CYLINDER ASSEMBLY  
(0" TO 24" INDEX)

FEED TABLE CYLINDER ASSEMBLY

INDEX NO.	PART NO.	DESCRIPTION	UNITS PER ASS'Y
Ref.	090-542457	Feed Table Cylinder Assembly (C-80, C-180, C-1212A, *C-1216A, *CE-1216A, TF-18A, TF-1421HA, TFE-1421HA)	
Ref.	*095-067310	Feed Table Cylinder Assembly (C-1213A, CE-1213A, *C-1216A, *CE-1216A, CT-1216A)	
1	091-203695	. Pipe Plug.....	2
2	090-105677	. Gasket.....	2
3	090-105669	. Split Ring.....	4
4	090-127036	. Piston.....	1
5	135-091767	. O-Ring.....	1
6	091-337220	. Shim (.0149).....	A.R.
7	091-337238	. Shim (.031).....	A.R.
8	091-031260	. Adaptor Ring.....	1
9	091-098764	. Homo. Chevron Packing Ring.....	2
10	090-070707	. Scraper Ring.....	1
11	090-247214	. Piston Rod.....	1
12	091-982421	. Screw, Soc. Hd. Cap 1/4-20NC x 1.....	4
13	091-098046	. End Cap.....	1
14	091-098756	. Fab. Chevron Packing Ring.....	1
15	090-188517	. Spring.....	1
16	090-453598	. Head End (Assembly #090-542457).....	1
	094-082245	. Head End (Assembly #095-067310).....	1
17	091-984278	. Screw, Soc. Set 1/4-20NC x 3/4.....	A.R.
18	091-991141	. Nut, Hex. Jam 1/4-20NC.....	A.R.
19	090-127044	. U-Cup.....	2
20	090-127051	. Lock Nut.....	1
21	090-256728	. Cylinder.....	1
22	090-105651	. Collar.....	2
23	091-982629	. Screw, Soc. Hd. Cap 5/16-18NC x 1-1/2.....	8
24	090-019936	. Washer, Lock 5/16 Hi-Collar.....	8
25	090-453606	. Rear End (Assembly #090-542457).....	1
	094-082237	. Rear End (Assembly #095-067310).....	1

\*NOTE: #095-067310 Was #090-542457 Before Serial #373-78226 On C-1216A, And #387-78108 On CE-1216A.



MODEL	FIRST MACH	LAST MACH
C-79	300-70101	300-77245
C-80	190-70101	190-77988
C-81	342-74101	342-77121
C-82	343-74101	343-76107

FIXED VISE BASE ASSEMBLY

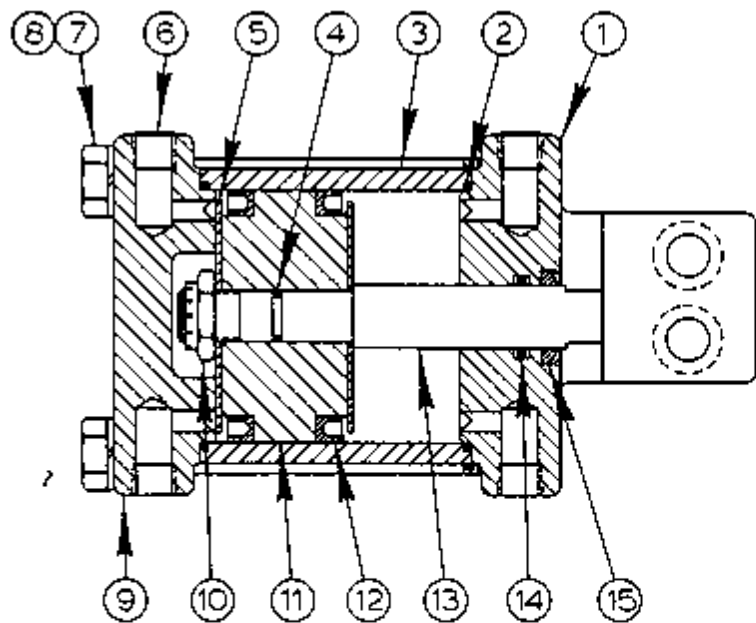
FIXED VISE BASE ASSEMBLY \*

INDEX NO.	PART NO.	DESCRIPTION	UNITS PER ASS'Y
Ref.	095-000659	Fixed Vise Base Assembly	
1	091-982959	. Screw, Soc. Hd. Cap 1/2-13NC x 1-1/2.....	3
2	091-992669	. Washer, Flat 1/2 S.A.E. Std.....	3
3	090-388323	. Wear Strip.....	2
4	091-168161	. Screw, Soc. Hd. Cap 1/2-13NC x 1 (Nyloc).....	2
5	091-244665	. Key.....	1
*6	093-040004	. Pawl (13-5/16" Long).....	1
*7	093-039998	. Pawl (21-5/16" Long).....	1
8	094-005527	. Fixed Vise Clamp Cylinder Assembly (See Detail).....	1
9	091-982975	. Screw, Soc. Hd. Cap 1/2-13NC x 2.....	4
10	094-004181	. Vise Base Extension.....	1
11	091-984229	. Screw, Soc. Set 1/4-20NC x 1/4.....	2
12	090-150350	. Screw, Flat hd. Mach. 1/4-20NC x 5/8.....	24
13	090-388315	. Wear Strip.....	2
14	135-004455	. Dowel Pin.....	6
**15	094-071263	. Guard.....	1
16	091-988964	. Screw, Rd. Hd. Mach. 1/4-20NC x 5/8.....	2
17	090-589979	. Fixed Vise Base.....	1
+18	094-047859	. Fixed Jaw.....	1
19	090-150350	. Screw, Flat Hd. Mach. 1/4-20NC x 5/8.....	12
+20	094-037538	. Movable Jaw.....	1
+21	091-281683	. Wear Plate (Steel).....	2
	091-306407	. Wear Plate (Polyurethane).....	2
22	090-148412	. Pin.....	2
*23	094-058658	. Rack.....	1
24	090-184722	. Screw, Soc. Hd. Shoulder (3/8 Dia. x 1-3/4).....	1
25	091-992644	. Washer, Flat 3/8 S.A.E. Std.....	2
26	106-043110	. Spacer (.005).....	A.R.
27	106-043128	. Spacer (.025) ..	A.R.
28	091-982991	. Screw, Soc. Hd. Cap 1/2-13NC x 2-1/2.....	4
29	091-982967	. Screw, Soc. Hd. Cap 1/2-13NC x 1-3/4.....	3
30	091-980674	. Screw, Hex. Hd. Cap 1/2-13NC x 1-1/2.....	1

\*NOTE: Item #6 Was 090-274721, Item #7 Was 090-274705 And Item #23 Was 090-369026 Before Serial #300-75212 On C-79, 190-75797 On C-80, 342-75113 On C-81 And 343-76107 On C-82.

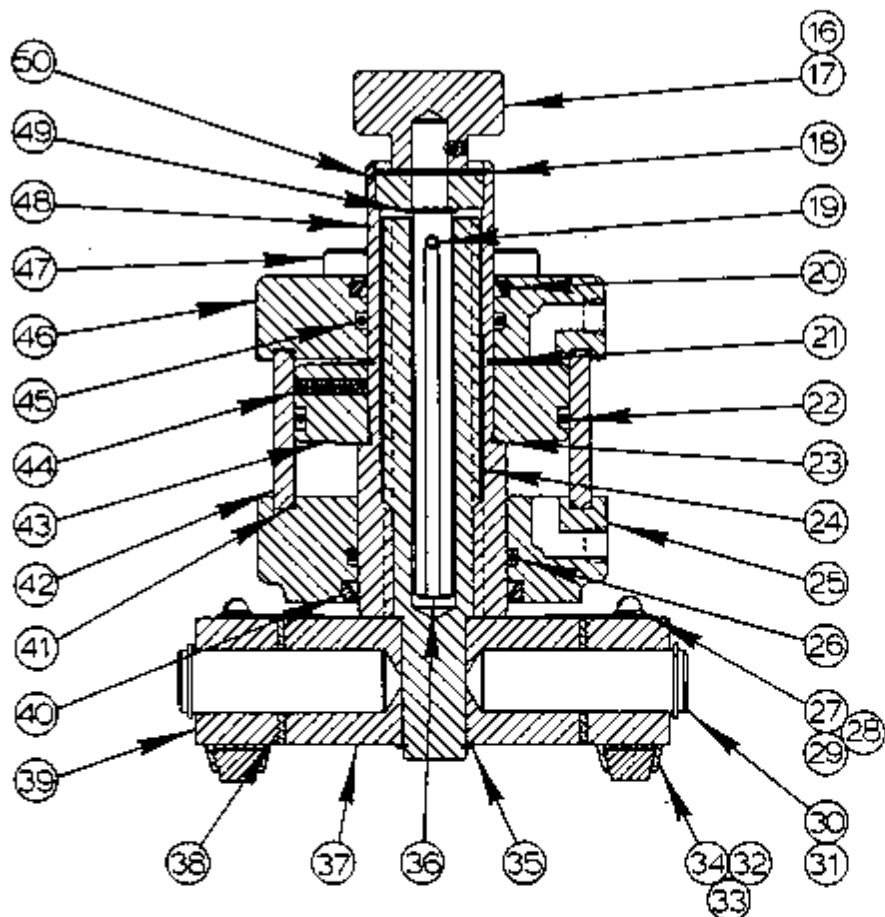
\*\*NOTE: Item #15 Was 094-017464 Before Serial #190-74465 On C-80 And 300-74143 On C-79. #190-74465 Thru 190-76838 On C-80 And 300-73143 Thru 300-76219 On C-79, 342-76114 On C-81, And All C-82 Models Guard Was 094-048436.

+NOTE: Item #18 Was 090-461310, Item #20 Was 090-464579, And Item #21 Was 091-034801 Before Serial #190-72269 On C-80 And #300-72120 On C-79.



VISE CLAMP CYLINDER ASSEMBLY

NOTE: THIS CYLINDER USED ON FEED, FLOATING, INOX, FIXED, MINIMUM BAR END, AND OUTBOARD VISES



NESTING VISE CYLINDER ASSEMBLY

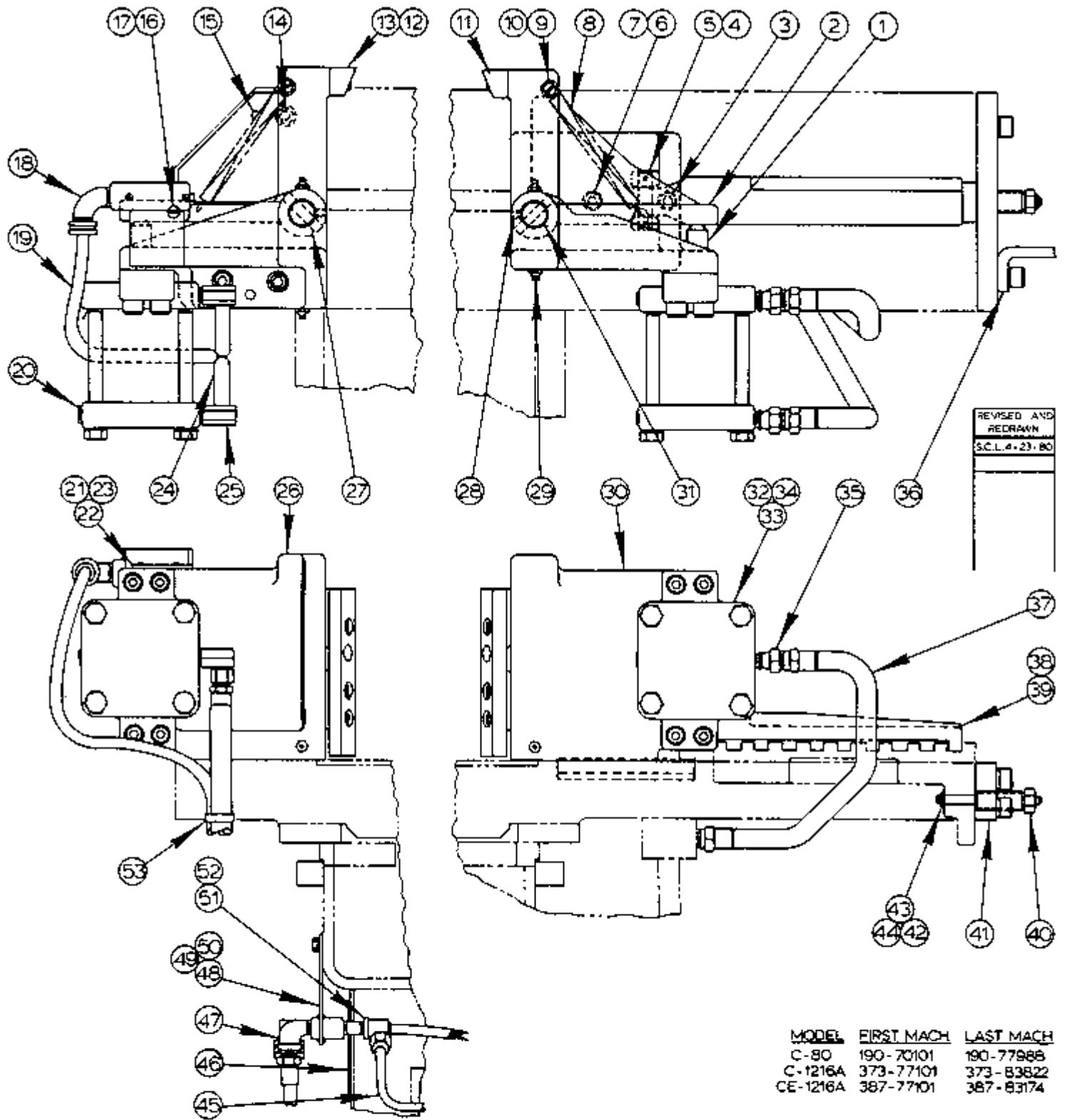
MODEL	FIRST MACH	LAST MACH
C-79	300-70101	300-77245
C-80	190-70101	190-77988
C-81	342-74101	342-77121
C-82	343-74101	343-76107
C-179	329-74101	329-76105
C-180	302-70101	302-77129
TF-18A	322-72101	322-78155
C-1216M	374-77101	374-83234
C-1216A	373-77101	373-83822
CE-1216A	387-77101	387-83174
C-1216A-6	378-77101	378-79107
CT-1216A	385-77101	385-80108
CT-1216M	386-77101	386-83104
TF-1421HA	365-76101	
TFE-1421HA	404-79101	
C-1216M	424-83101	
CE-1216M	427-83101	
C-1216A	423-82101	
CE-1216A	428-83101	
CT-1216M	426-83101	
CT-1216A	425-83101	

CYLINDER ASSEMBLIES

INDEX NO.	PART NO.	DESCRIPTION	UNITS PER ASS'Y
Ref.	094-005527	Vise Clamp Cylinder Assembly (See Note Below)	
Ref.	094-026226	Vise Clamp Cylinder Assembly (See Note Below)	
Ref.	094-076155	Vise Clamp Cylinder Assembly (See Note Below)	
1	094-005576	. End Cap (Assemblies 094-005527, 094-076155).....	1
	094-026218	. End Cap (Assembly 094-026226).....	1
2	091-234039	. O-Ring.....	2
3	091-234047	. Cylinder (Assemblies 094-005527, 094-026226).....	1
	091-447136	. Cylinder (Assembly 094-076155).....	1
4	090-041229	. O-Ring.....	1
5	091-205161	. Washer.....	2
6	090-083452	. Plastic Plug (Assembly 094-005527).....	4
	105-046122	. Sq. Hd. Pipe Plug (Assembly 094-026226).....	2
	091-227488	. Pipe Plug (Assembly 094-076155).....	2
7	091-980789	. Screw, Hex. Hd. Cap 1/2-13NC x 5 (Assembly 094-005527).....	4
	091-980797	. Screw, Hex. Hd. Cap 1/2-13NC x 5-1/2 (Assembly 094-026226).....	4
	091-980763	. Screw, Hex. Hd. Cap 1/2-13NC x 4 (Assembly 094-076155).....	4
8	091-993279	. Washer, Lock 1/2 Std.....	4
9	090-260308	. Cylinder Block.....	1
10	090-132572	. Locknut 5/8-11NC.....	1
11	091-205187	. Piston.....	1
12	090-133976	. U-Cup.....	2
13	091-205179	. Piston Rod (Assemblies 094-005527, 094-026226).....	1
	091-447144	. Piston Rod (Assembly 094-076155).....	1
14	135-079705	. O-Ring.....	1
15	090-070707	. Scraper Ring.....	1

\*NOTE: Check Assembly (Feed, Fixed, Floating, Index, Outboard And Minimum Bar End Vise Assemblies) For Correct Cylinder Number and Corresponding Parts.

Ref.	095-004265	Nesting Vise Cylinder Assembly	
16	091-217950	. Knob.....	1
17	091-985010	. Screw, Soc. Set #8-32NC x 1/4.....	2
18	090-149758	. Retaining Ring.....	1
19	091-234591	. Dowel Pin.....	2
20	090-135849	. Scraper Ring.....	1
21	090-022773	. Retaining Ring.....	1
22	091-151654	. O-Ring.....	1
23	091-087015	. O-Ring.....	1
24	090-392044	. Shaft.....	1
25	095-004249	. Bracket.....	1
26	090-015082	. O-Ring.....	1
27	091-219261	. Spring.....	2
28	091-988527	. Screw, Rd. Hd. Mach. #8-32NC x 5/16.....	4
29	091-993188	. Washer, Lock #8 Std.....	4
30	091-219295	. Pin.....	2
31	135-086882	. Retaining Ring.....	2
32	090-371485	. Bumper Pad Holder.....	2
33	091-179523	. Bumper Pad.....	2
34	091-987487	. Screw, Flt. Hd. Mach. #10-24NC x 3/8.....	8
35	135-086882	. Retaining Ring.....	1
36	090-392010	. Rod.....	1
37	090-392036	. Block.....	1
38	091-178616	. Shim.....	12
39	090-392029	. Clamp Bar.....	2
40	090-157850	. Scraper Ring.....	1
41	091-206896	. O-Ring.....	2
42	091-219303	. Cylinder.....	1
43	090-392002	. Piston.....	1
44	091-100487	. Screw, Soc. Set #8-32NC x 3/4 (Nylloc).....	1
45	135-087260	. O-Ring.....	1
46	094-022027	. End Cap.....	1
47	091-982884	. Screw, Soc. Hd. Cap 3/8-16NC x 3-1/4.....	4
48	090-391996	. Piston Rod.....	1
49	135-097129	. Retaining Ring.....	1
50	091-219279	. Bushing.....	1



FLOATING FEED VISE ASSEMBLY

FLOATING FEED VISE ASSEMBLY

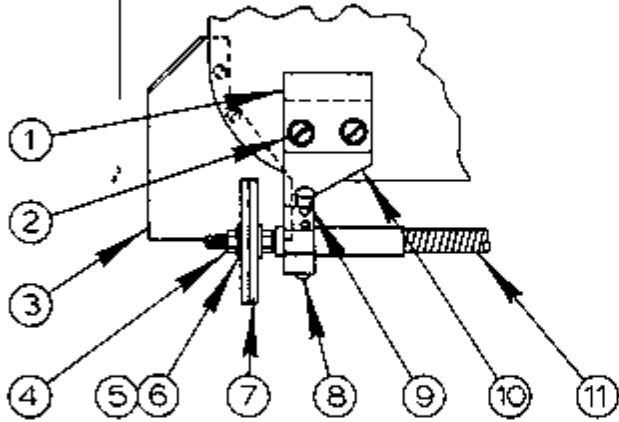
INDEX NO.	PART NO.	DESCRIPTION	UNITS PER ASS'Y
Ref.	085-003333	Floating Feed Vise Assembly	
1	091-217695	. Rod Extension.....	2
2	095-002796	. Arm.....	1
3	091-168161	. Screw, Soc. Hd. Cap 1/2-13NC x 1 (Nylok).....	1
4	091-984104	. Screw, Soc. Set #10-24NC x 1/4.....	1
5	090-070079	. Pin.....	1
6	091-171298	. Screw, Soc. Hd. Cap 1/2-13NC x 1-1/4 (Nylok).....	1
7	091-289504	. Key.....	1
8	091-003947	. Spring.....	2
9	091-988956	. Screw, Rd. Hd. Mach. 1/4-20NC x 1/2.....	2
10	091-992602	. Washer, Flat 1/4 S.A.E. Std.....	2
11	093-024859	. L.H. Jaw.....	1
12	093-024867	. R.H. Jaw.....	1
13	091-983718	. Screw, Soc. Hd. Cap 3/8-16NC x 1.....	8
14	091-982942	. Screw, Soc. Hd. Cap 1/2-13NC x 1-1/4.....	4
15	135-004455	. Dowel Pin.....	2
16	091-990242	. Screw, Truss Hd. Mach. 1/4-20NC x 1.....	1
17	091-991141	. Nut, Hex. Jam 1/4-20NC.....	1
18	090-151424	. 90° Cord Grip Connector.....	2
19	091-972158	. Conductor Rubber Cover (#16-2).....	A.R.
20	091-227488	. Pipe Plug.....	4
21	091-988675	. Screw, Rd. Hd. Mach. #10-24NC x 3/8.....	2
22	091-993196	. Washer, Lock #10 Std.....	2
23	090-140955	. Switch Bracket.....	1
24	090-150194	. Hydraulic Hose.....	2
25	090-162595	. 90° Swivel Adaptor Union.....	2
26	095-003315	. Base.....	1
27	090-042771	. Roll Pin.....	2
28	091-984245	. Screw, Soc. Set 1/4-20NC x 3/8.....	2
29	135-017754	. Grease Fitting.....	4
30	095-023438	. Base.....	1
31	090-181579	. Shaft.....	2
32	094-005527	. Vise Clamp Cylinder Assembly (See Detail).....	2
33	091-984682	. Screw, Soc. Set 1/2-13NC x 1-3/4.....	10
34	091-993279	. Washer, Lock 1/2 Std.....	8
35	090-081514	. Swivel Adaptor Union.....	2
36	093-016491	. Bracket.....	1
37	091-029769	. Hydraulic Hose.....	2
*38	093-039998	. Pawl (21-5/16").....	1
*39	093-040020	. Pawl (11-9/16").....	1
40	090-059569	. Adjusting Screw.....	1
41	093-016467	. End Plate.....	1
42	091-289488	. Pin.....	1
43	091-166244	. Retaining Ring.....	2
44	091-992649	. Washer, Flat 3/8 S.A.E. Std.....	1
45	091-971382	. Nylon Tubing 3/8 O.D.....	A.R.
46	094-027851	. R.H. Front Panel Weldment.....	1
47	117-135210	. 90° Street Elbow.....	2
48	091-245522	. Manifold Weldment.....	1
49	091-980078	. Screw, Hex. Hd. Cap 1/4-20NC x 5/8.....	2
50	091-993212	. Washer, Lock 1/2 Std.....	2
51	093-090801	. 90° Female Elbow.....	2
52	135-023430	. Pipe Nipple.....	2
53	091-076372	. Cable Tie.....	1

FOLLOWING NOT SHOWN:

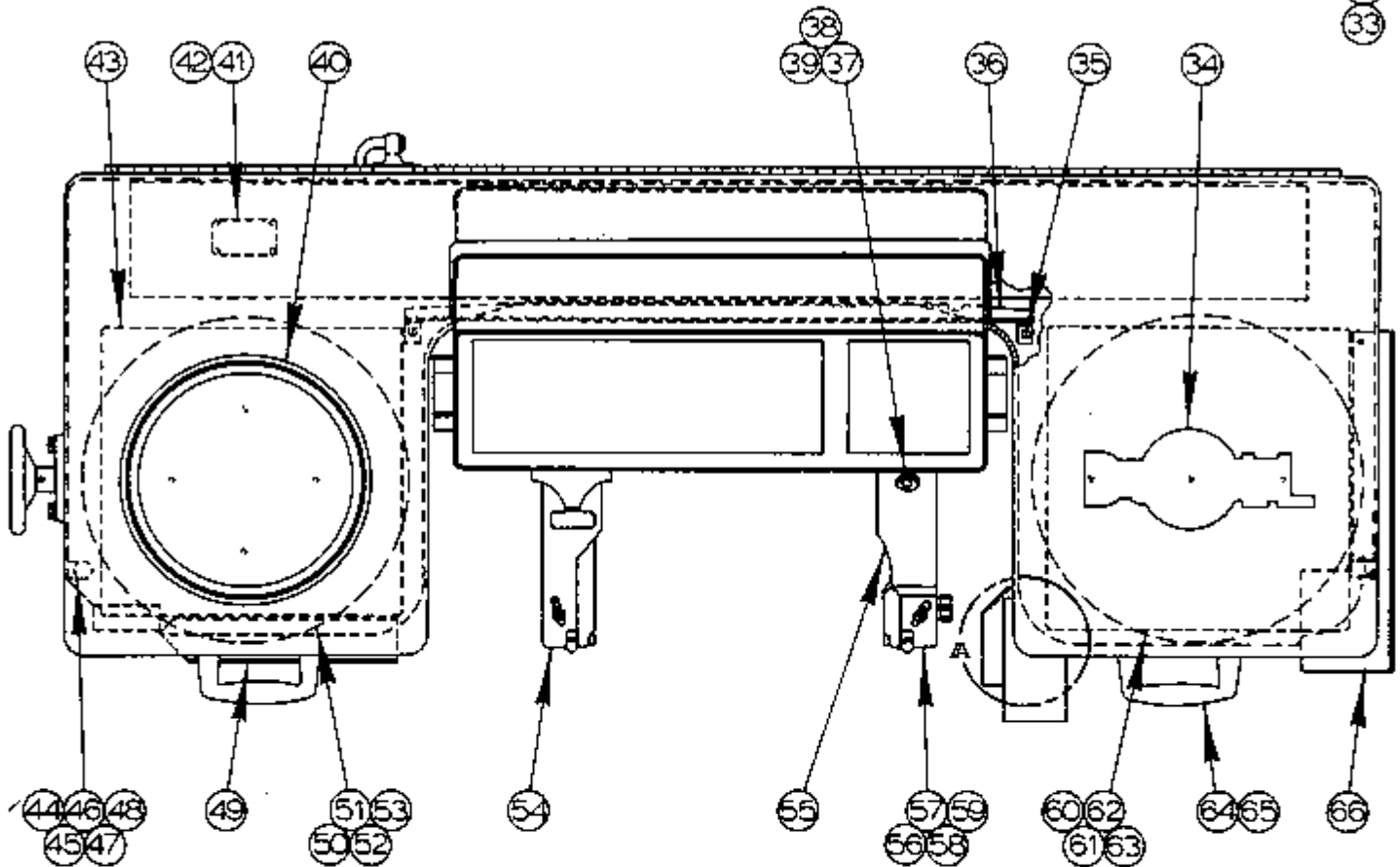
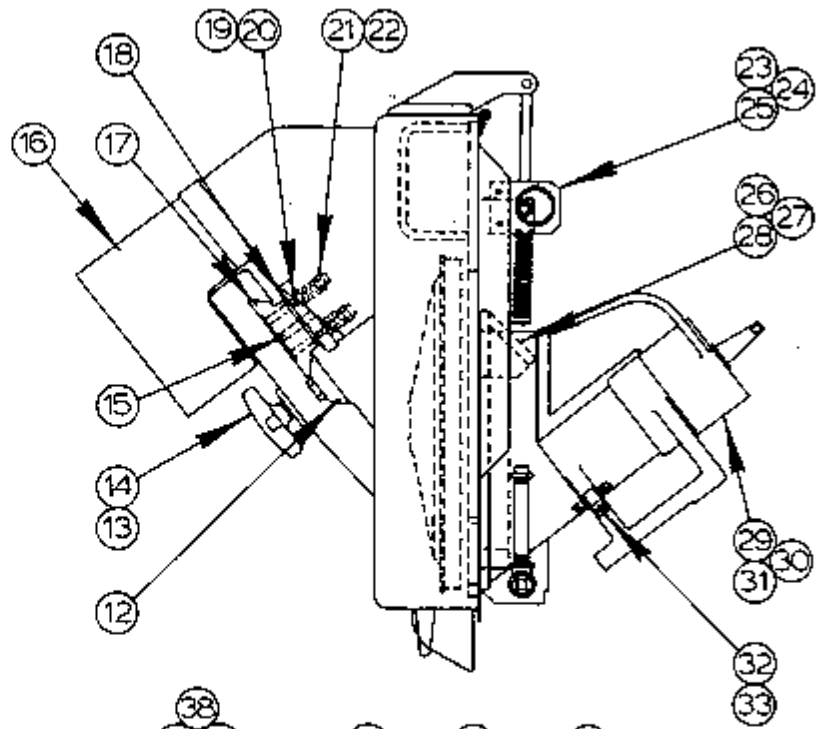
090-195439	. Bond Nut.....	2
090-138082	. Pipe Nipple.....	2
135-008472	. Service Tee.....	2
093-090108	. Male Connector.....	2

\*NOTE: Item #38 Was 090-2747D And #39 Was 090-30479 Before Serial #190-76815 On C-80 Only.

REVISED AND  
REDRAWN  
SCL 8-27-82



DETAIL A



MODEL	FIRST MACH	LAST MACH
C-79	300-70101	300-73122
C-80	190-70101	190-73270
C-180	302-70101	302-73105

HEAD ASSEMBLY

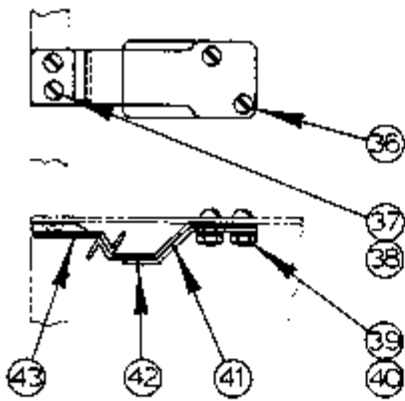
HEAD ASSEMBLY

INDEX NO.	PART NO.	DESCRIPTION	UNITS PER ASS'Y	INDEX NO.	PART NO.	DESCRIPTION	UNITS PER ASSY
Ref.	095-005591	Head Assembly (C-79, C-80)		39	091-982975	Screw, Soc. Hd. Cap 1/2-13NC	
1	095-013884	Head Assembly (C-180)				x 2 (C-180).....	1
2	091-227819	Shield.....	1	40	094-033370	Job Selector Assy (See Detail)...	1
3	090-113234	Washer Screw 1/4-20NC x 1/2....	2	41	091-165522	Data Plate.....	1
4	094-018892	Back Guard.....	1	42	091-993972	Screw, Rd. Hd. Drive #2 x 1/4...	4
5	090-113283	Nut, Hex. 1/4-20NC (L.H.Thread)	1	*43	094-034253	Maintenance And Operation Plate.	1
6	090-128984	Adaptor.....	2	44	090-112616	Bracket.....	2
7	090-112228	Washer.....	2	45	090-122359	Grommet.....	2
8	090-109836	Wire Brush.....	2	46	091-988691	Screw, Rd. Hd. Mach. #10-24NC	
	091-982421	Screw, Soc. Hd. Cap 1/4-20NC				x 1/2.....	11
9	090-111154	Oiler Cup.....	1	47	091-991752	Nut, Hex. #10-24NC.....	4
10	091-212050	Holder Sub-Assembly.....	1	48	091-993196	Washer, Lock #10 Std.....	11
*11	093-013688	R.H. Flexible Shaft Assembly...	1	†49	094-032463	Drip Lip.....	1
12	090-098674	Gib.....	2	†50	094-028917	Sandwheel Assy (1" Band Idler)	
13	090-219866	Handwheel Sub-Assembly.....	2			(See Detail).....	1
14	090-151648	Spacer.....	2	51	091-996108	Screw, Pan Hd. Mach. #8-32NC	
15	090-059189	Dowel Pin.....	2			x 5/16.....	6
16	095-024873	Control Console Assembly (Head Mounted) (C-79, C-80)		52	090-103847	Shim (.015).....	A.R.
		Detail).....	1	53	090-103854	Shim (.0299).....	A.R.
17	094-022720	Slide Bar.....	1	54	094-009701	L.H. Saw Guide Assy (See Detail)	1
18	091-051169	Hardened Washer.....	7	55	090-449927	R.H. Saw Guide Arm (C-79, C-80).	1
19	091-144659	Screw, Soc. Set 1/4-20NC x 3/8 (NYLOC).....	7	56	094-028248	R.H. Saw Guide Arm (C-180).....	1
20	090-079278	Brass Plug.....	7	57	091-064469	Shim.....	A.R.
21	091-980532	Screw, Hex. Hd. Cap 3/8-16NC		58	090-142126	Dowel Pin.....	2
		x 2-3/4.....	4	59	091-983528	Screw, Soc. Hd. Cap 3/8-24NF	
22	090-110149	Adjusting Screw.....	4			x 7/8.....	1
23	091-224469	Collar Weldment.....	1	60	094-018850	R.H. Saw Guide Block Assembly	
24	091-980078	Screw, Hex. Hd. Cap 1/4-20NC				(See Detail).....	1
		x 5/8.....	2	61	094-018934	Bandwheel Assembly (1" Band, Driven) (See Detail).....	1
25	091-993212	Washer, Lock 1/4 Std.....	4	62	090-367988	Wheel Cover.....	2
26	094-017274	Bracket.....	1	63	135-075968	Snap Ring.....	2
27	091-982413	Screw, Soc. Hd. Cap 1/4-20NC		64	091-174078	Grease Fitting.....	2
		x 7/8.....	3	65	090-238601	Handle.....	2
28	090-132820	Dowel Pin.....	2	66	091-981209	Screw, Hex. Hd. Cap 3/8-16NC	
29	095-000519	Transmission Assy (See Detail).	1			x 3/4.....	4
30	134-034180	Dowel Pin.....	2			Splash Guard.....	1
31	091-980474	Screw, Hex. Hd. Cap 3/8-16NC					
		x 1-1/4.....	8				
32	091-156521	Tubing Clamp.....	1				
33	091-988667	Screw, Rd. Hd. Mach. #10-24NC					
		x 5/16.....	4				
34	090-412636	Name Plate.....	1				
35	091-988964	Screw, Rd. Hd. Mach. 1/4-20NC					
		x 5/8.....	2				
36	093-002855	Guard Weldment.....	1				
37	091-071068	Washer (C-180).....	1				
38	091-000901	Washer Lock 1/2 HI-Collar (C-180).....	1				

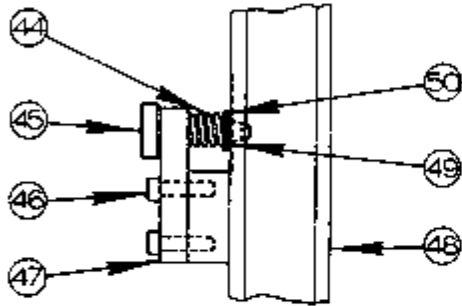
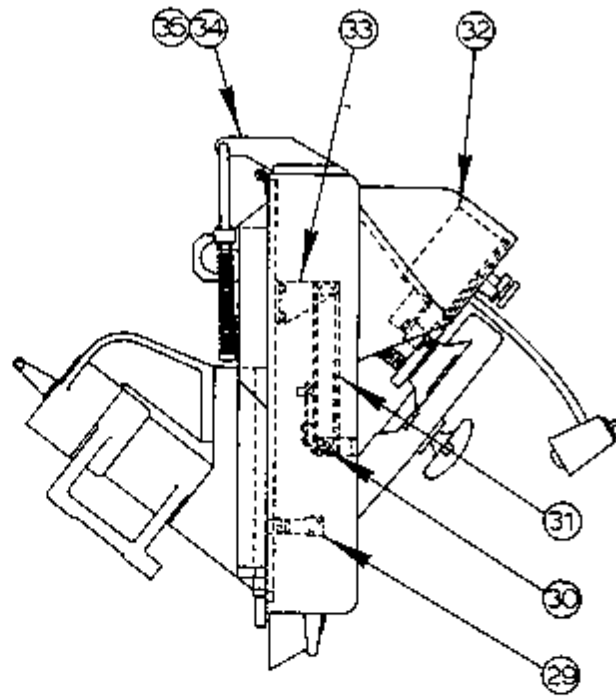
\*NOTE: Item #11 Was 090-388646 Before Serial #300-72117 On C-79, #190-72255 On C-80 And #302-72104 On C-180.

\*NOTE: Item #43 Was 094-026234 Before Serial #300-72110 On C-79 And #190-72189 On C-80.

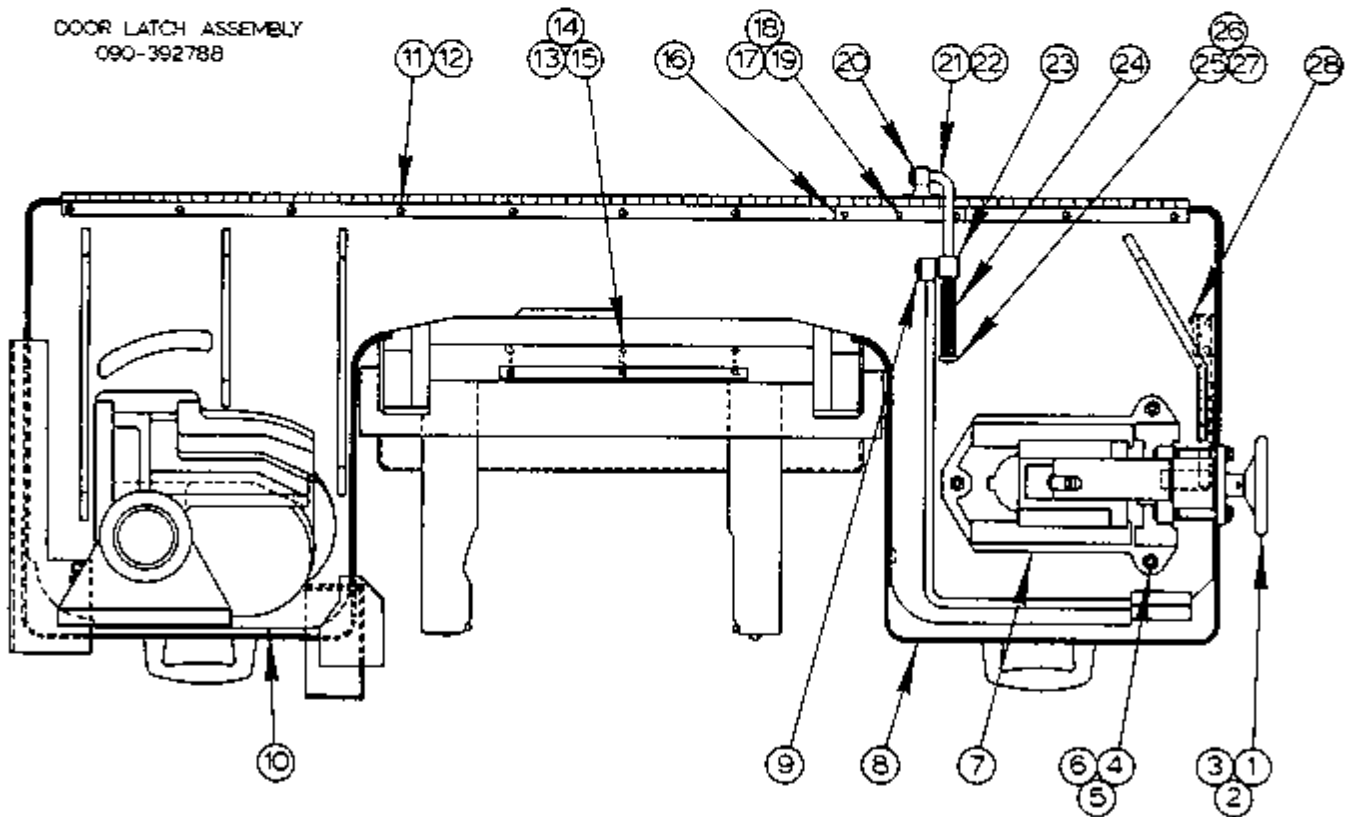
\*NOTE: Item #49 Was 090-388737 And Item #50 Was 090-442161 Before Serial #300-72109 On C-79 And #190-72176 On C-80.



DOOR LATCH ASSEMBLY  
090-394719



DOOR LATCH ASSEMBLY  
090-392788



MODEL	FIRST MACH.	LAST MACH.
C-79	300-70101	300-73122
C-80	190-70101	190-73270
C-180	302-70101	302-73105

HEAD ASSEMBLY

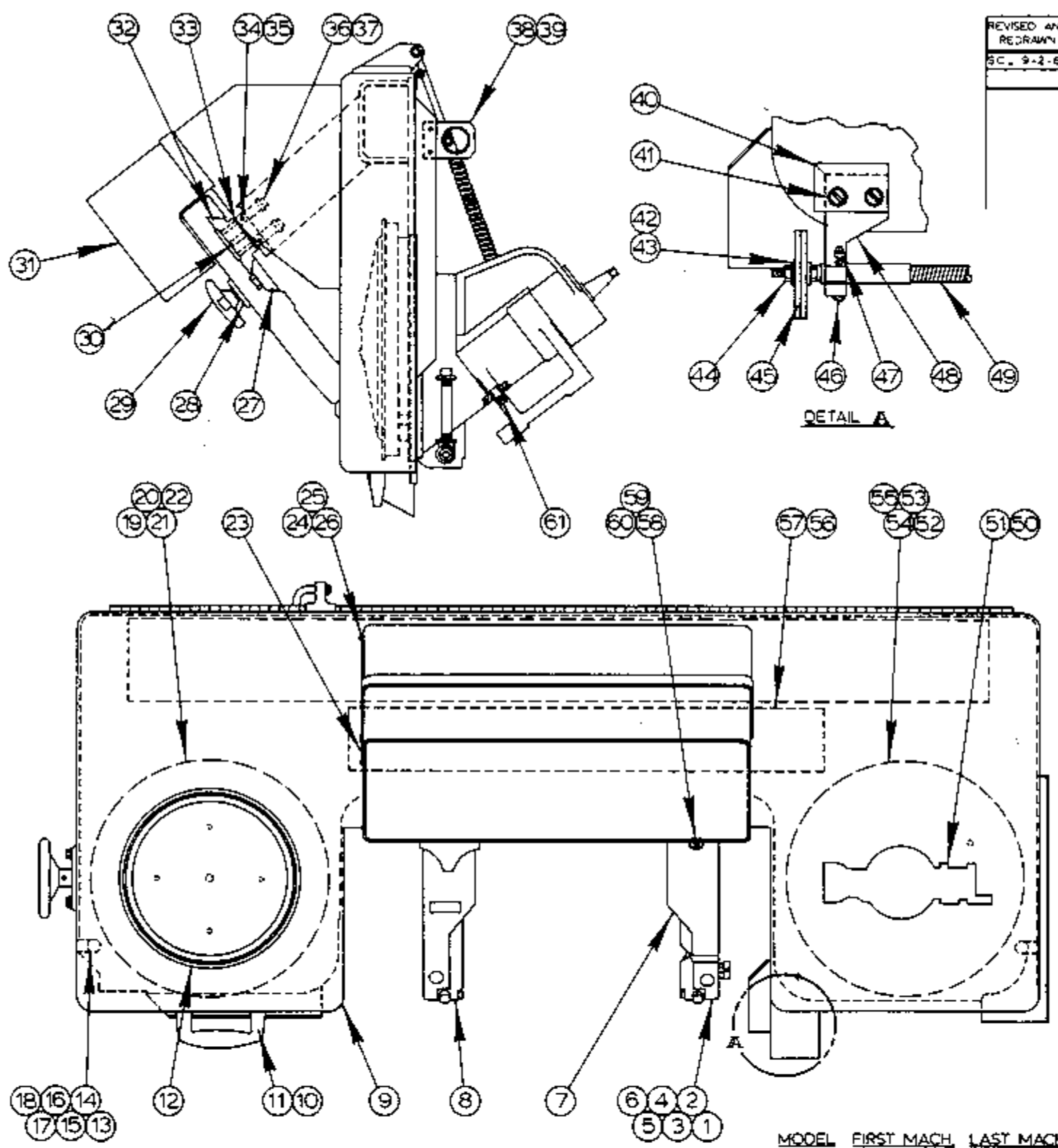
## HEAD ASSEMBLY

INDEX NO.	PART NO.	DESCRIPTION	UNITS PER ASS'Y
Ref.	095-005591	Head Assembly (C-79, C-80)	
Ref.	095-013884	Head Assembly (C-180)	
1	090-248626	. Handwheel.....	1
2	090-043258	. Woodruff Key.....	1
3	090-984344	. Screw, Soc. Set 5/16-18NC x 1/4.....	1
4	091-007823	. Adjusting Screw.....	3
5	091-980514	. Screw, Hex. Hd. Cap 3/8-16NC x 2-1/4.....	3
6	091-993329	. Washer, Lock 3/8 Std.....	19
7	090-545260	. Band Tension Assembly (See Detail).....	1
8	*095-013678	. Door Assembly (C-79, C-80).....	1
	095-005153	. Door Weldment (C-180).....	1
9	135-064269	. Retaining Ring.....	1
10	095-000543	. Head Plate Weldment.....	1
11	091-988956	. Screw, Rd. Hd. Mach. 1/4-20NC x 1/2.....	8
12	091-993741	. Washer, Lock 1/4 Shakeproof Ext.....	8
13	091-982488	. Screw, Soc. Hd. Cap 1/4-20NC x 2-1/4 (C-79, C-80).....	3
	091-980151	. Screw, Hex. Hd. Cap 1/4-20NC x 2-1/4 (C-180).....	2
14	091-991158	. Nut, Hex. 1/4-20NC (C-79, C-80).....	3
	091-991760	. Nut, Hex. 1/4-20NC (C-180).....	2
15	091-993741	. Washer, Lock 1/4 Shakeproof Ext. (C-79, C-80).....	3
	091-992602	. Washer, Flat 1/4 S.A.E. Std. (C-180).....	2
16	091-220624	. Bar.....	1
17	091-982397	. Screw, Soc. Hd. Cap 1/4-20NC x 3/4.....	5
18	091-992602	. Washer, Flat 1/4 S.A.E. Std.....	3
19	091-993568	. Washer, Lock 1/4 Shakeproof Int.....	5
20	091-193649	. Grip Ring.....	1
21	090-394693	. Spring Rod Assembly.....	1
22	090-392804	. Rod.....	1
23	091-220558	. Trunnion.....	1
24	091-223172	. Spring.....	1
25	134-054105	. Steel Collar.....	1
26	090-042599	. Roll Pin.....	1
27	091-984229	. Screw, Soc. Set 1/4-20NC x 1/4.....	1
28	091-991208	. Nut, Hex. Jam 1/4-28NF.....	1
29	090-394719	. Door Latch Assembly (See Detail).....	1
30	091-220533	. Door Latch Stud.....	2
31	090-392788	. Door Latch Assembly (See Detail).....	1
32	095-025145	. Head Control Panel Assembly (W/Remote) (See Detail).....	1
33	090-392770	. Bracket.....	1
34	090-394677	. Bracket.....	1
35	091-987610	. Screw, Flat Hd. Mach. 1/4-20NC x 5/8.....	6

\*Note: Item #8 Was 095-006961 Before Serial #300-72111 On C-79 And #190-72196 On C-80.

Ref.	090-394719	Door Latch Assembly	
36	091-988402	. Screw, Rd. Hd. Mach. #6-32NC x 3/8.....	2
37	091-228338	. Ramp.....	1
38	091-987396	. Screw, Flat Hd. Mach. #6-32NC x 3/8.....	2
39	091-993170	. Washer, Lock #6 Std.....	2
40	091-991083	. Nut, Hex #6-32NC.....	2
41	135-027969	. Door Spring.....	1
42	090-397928	. Back-up Spring.....	1
43	091-223651	. Door Catch.....	1
Ref.	090-392788	Door Latch Assembly	
44	091-196873	. Spring.....	1
45	091-286518	. Plunger.....	1
46	091-982223	. Screw, Soc. Hd. Cap #10-24NC x 3/4.....	2
47	091-286212	. Bar.....	1
48	090-392762	. Door Latch Assembly.....	1
49	135-085827	. Retaining Ring.....	1
50	091-992602	. Washer, Flat 1/4 S.A.E. Std.....	1

REVISED AND  
REDRAWN  
5C - 9-2-62



MODEL	FIRST MACH.	LAST MACH.
C-79	300-73123	300-77245
C-80	190-73271	190-77988
C-180	302-73106	302-77129
C-81	342-74101	342-77121
C-82	343-74101	343-76107
C-179	329-74101	329-76105

HEAD ASSEMBLY

HEAD ASSEMBLY

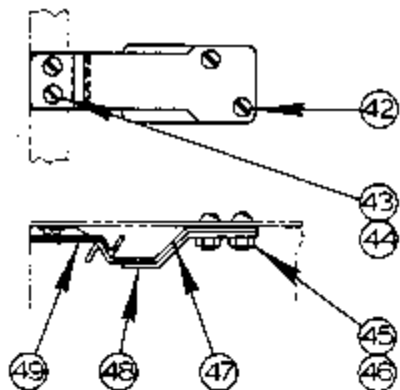
INDEX NO.	PART NO.	DESCRIPTION	UNITS PER ASSY	INDEX NO.	PART NO.	DESCRIPTION	UNITS PER ASSY
Ref.	095-045944	Head Assembly (C-79)		30	090-059189	. Dowel Pin.....	2
Ref.	095-022125	Head Assembly (C-80, C-81, C-82)		31	095-045936	. Control Console Assembly (Head Mounted) (C-79) (See Detail)....	1
Ref.	095-026142	Head Assembly (C-179)			095-025300	. Control Console Assembly (Head Mounted) (C-80, C-81, C-82) (See Detail).....	1
Ref.	095-057998	Head Assembly (C-180)					
1	*094-044989	. R.H. Saw Guide Block Assembly (C-79, C-80, C-81, C-82) (See Detail).....	1	32	094-022720	. Slide Bar.....	1
	*094-044963	. R.H. Saw Guide Block Assembly (C-179, C-180) (See Detail)....	1	33	091-051169	. Hardened Washer.....	7
2	090-142126	. Dowel Pin.....	2	34	091-144659	. Screw, Soc. Set 1/4-20NC x 3/8 (Nyllok).....	7
3	091-983833	. Screw, Soc. Hd. Cap 3/8-24NF x 1.....	1	35	090-079278	. Plug.....	7
4	091-337014	. Shim (.0149).....	A.R.	36	090-110149	. Adjusting Screw.....	4
5	091-337022	. Shim (.0299).....	A.R.	37	091-980532	. Screw, Hex. Hd. Cap 3/8-16NC x 2-3/4.....	4
6	091-337038	. Shim (.010).....	A.R.	38	091-224469	. Collar Weldment.....	1
7	**095-028684	. R.H. Saw Guide Arm (C-79, C-80, C-81, C-82).....	1	39	091-980078	. Screw, Hex. Hd. Cap 1/4-20NC x 5/8.....	2
	*095-028692	. R.H. Saw Guide Arm (C-179, C-180).....	1	40	091-227819	. Shield.....	1
8	*094-063989	. L.H. Saw Guide Assembly (See Detail).....	1	41	091-990200	. Screw, Truss Hd. Mach. 1/4-20NC x 1/2.....	2
9	095-021317	. Door Assembly (C-79, C-80, C-81, C-82).....	1	42	090-112228	. Washer.....	2
	095-024790	. Door Assembly (C-179, C-180).....	1	43	090-128984	. Brush Adaptor.....	2
10	090-238601	. Handle.....	1	44	091-991141	. Nut, Hex. Jam 1/4-20NC.....	1
11	091-980441	. Screw, Hex. Hd. Cap 3/8-16NC x 3/4.....	2	45	090-109836	. Wire Brush.....	2
12	094-040789	. Job Selector Assembly (English) (See Detail).....	1	46	091-982421	. Screw, Soc. Hd. Cap 1/4-20NC x 1	1
	094-070752	. Job Selector Assembly (International) (See Detail).....	1	47	135-017754	. Grease Fitting.....	1
	094-070760	. Job Selector Assembly (Metric) (See Detail).....	1	48	091-212050	. Holder Sub-Assembly.....	1
13	090-112616	. Bracket.....	2	49	093-013688	. R.H. Flexible Shaft Assembly....	1
14	090-122359	. Grommet.....	2	50	090-412636	. Name Plate.....	1
15	090-033705	. O-Ring.....	A.R.	51	091-988667	. Screw, Rd. Hd. Mach. #10-24NC x 5/16.....	4
16	091-988691	. Screw, Rd. Hd. Mach. #10-24NC x 1/2.....	6	52	094-018934	. Bandwheel Assembly (1" Band, Driven) (See Detail).....	1
17	091-993196	. Washer, Lock #10 Std.....	4	53	135-074968	. Snap Ring.....	2
18	091-991117	. Nut, Hex #10-24NC.....	4	54	091-174078	. Grease Fitting.....	2
19	094-029817	. Bandwheel Assembly (1" Band, Idler) (See Detail).....	1	55	091-988527	. Screw, Rd. Hd. Mach. #8-32NC x 5/16.....	6
20	090-367988	. Wheel Cover.....	2	56	093-017259	. Guard Weldment.....	1
21	090-103847	. Shim (.015).....	A.R.	57	091-990200	. Screw, Truss Hd. Mach. 1/4-20NC x 1/2.....	1
22	090-103854	. Shim (.0299).....	A.R.	58	091-982975	. Screw, Soc. Hd. Cap 1/2-13NC x 2 (C-179, C-180).....	1
23	090-161563	. Escutcheon (Warning) (English)		59	091-071068	. Washer (C-179, C-180).....	1
24	093-043016	. Escutcheon (Machine Specs.) (English) (C-79, C-80, C-81, C-82).....	1	60	091-000901	. Washer, Lock 1/2 HI-Collar (C-179, C-180).....	1
	093-065175	. Escutcheon (Machine Specs.) (Int'l) (C-79, C-80, C-81, C-82)	1	61	091-156521	. Tubing Clamp.....	1
25	091-973974	. Screw, Rd. Hd. Drive #2 x 1/4 (C-79, C-80, C-81, C-82).....	8				
26	091-292730	. Escutcheon (Patent No's.) (C-79, C-80, C-81, C-82)	1				
27	090-098674	. Gfb.....	2				
28	090-151648	. Spacer.....	2				
29	090-219866	. Handwheel Sub-Assembly.....	2				

\*NOTE: See Saw Guide Assembly Details For Correct Serial Numbers For Replacement Parts.

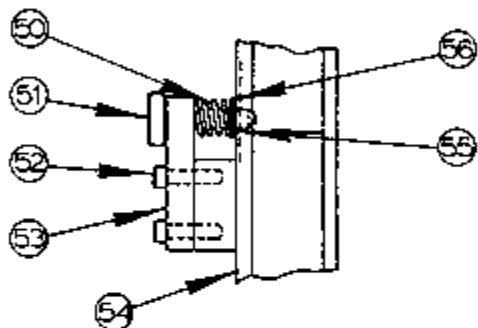
\*\*NOTE: Item #7 095-028684 Was 095-017786 Before Serial #300-73129 On C-79 And #190-73343 On C-80 And 095-028692 Was 095-026159 Before Serial #302-73108 On C-180.

†NOTE: Item #47 Was 090-111154 Oil Cup Before Serial #300-72119 On C-79 And #190-73265 On C-80.

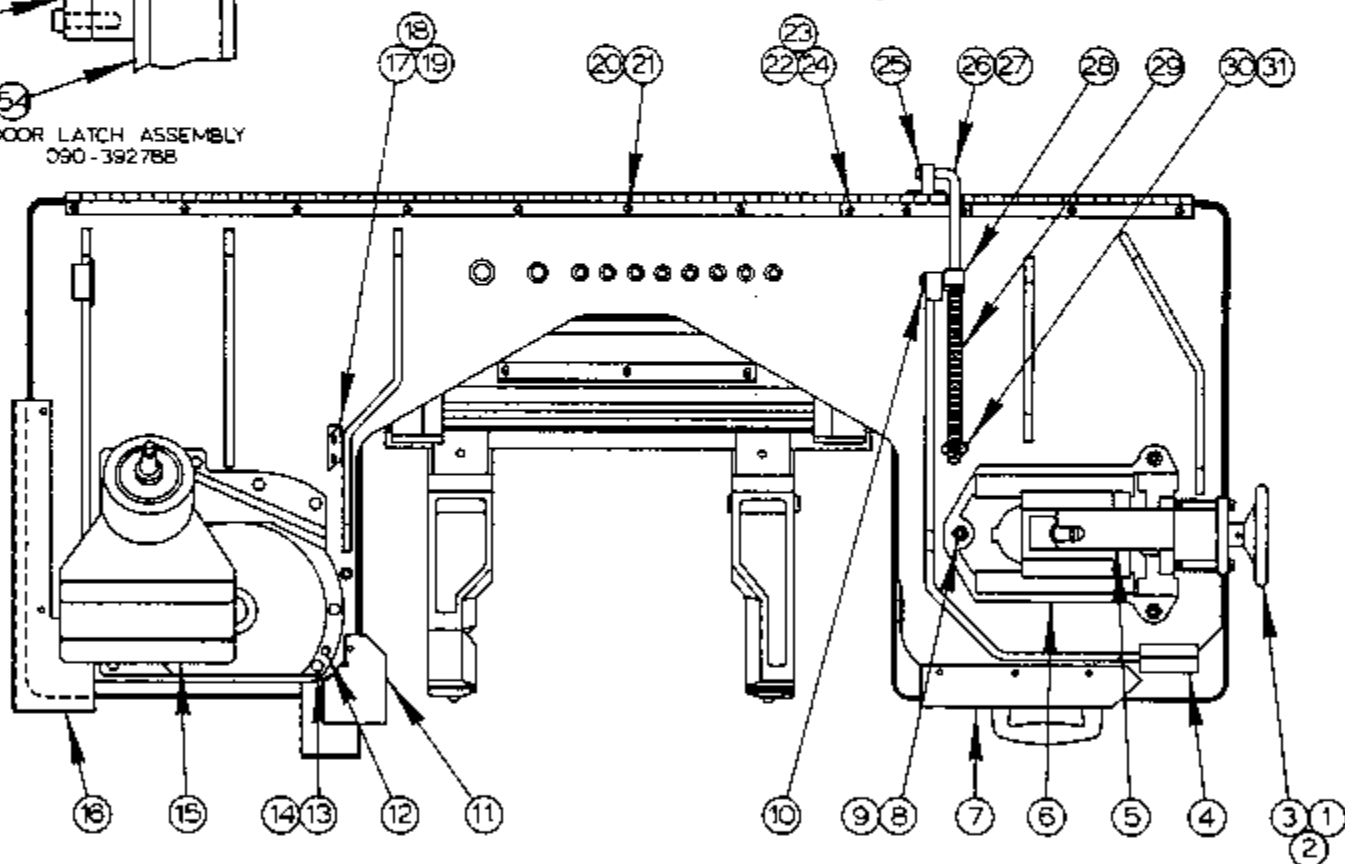
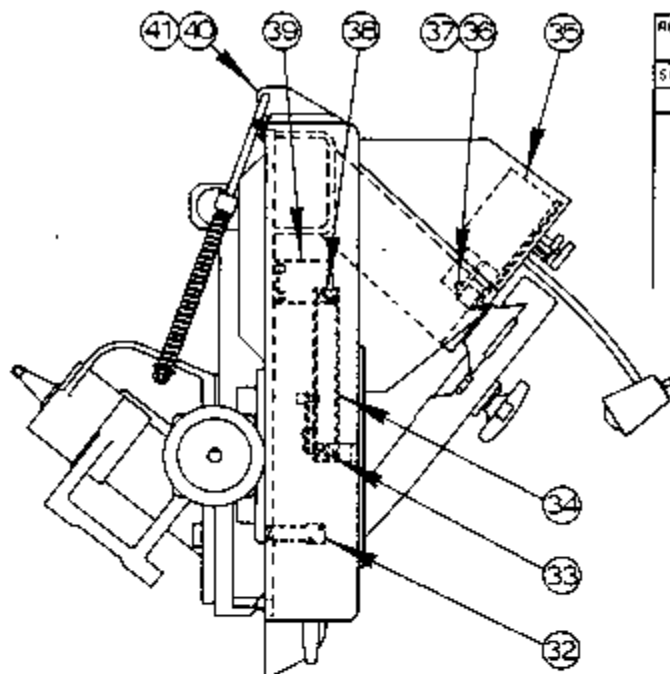
REVISED AND  
RE-DRAWN  
SCL 9-7-62



DOOR LATCH ASSEMBLY  
090-394719



DOOR LATCH ASSEMBLY  
090-392768

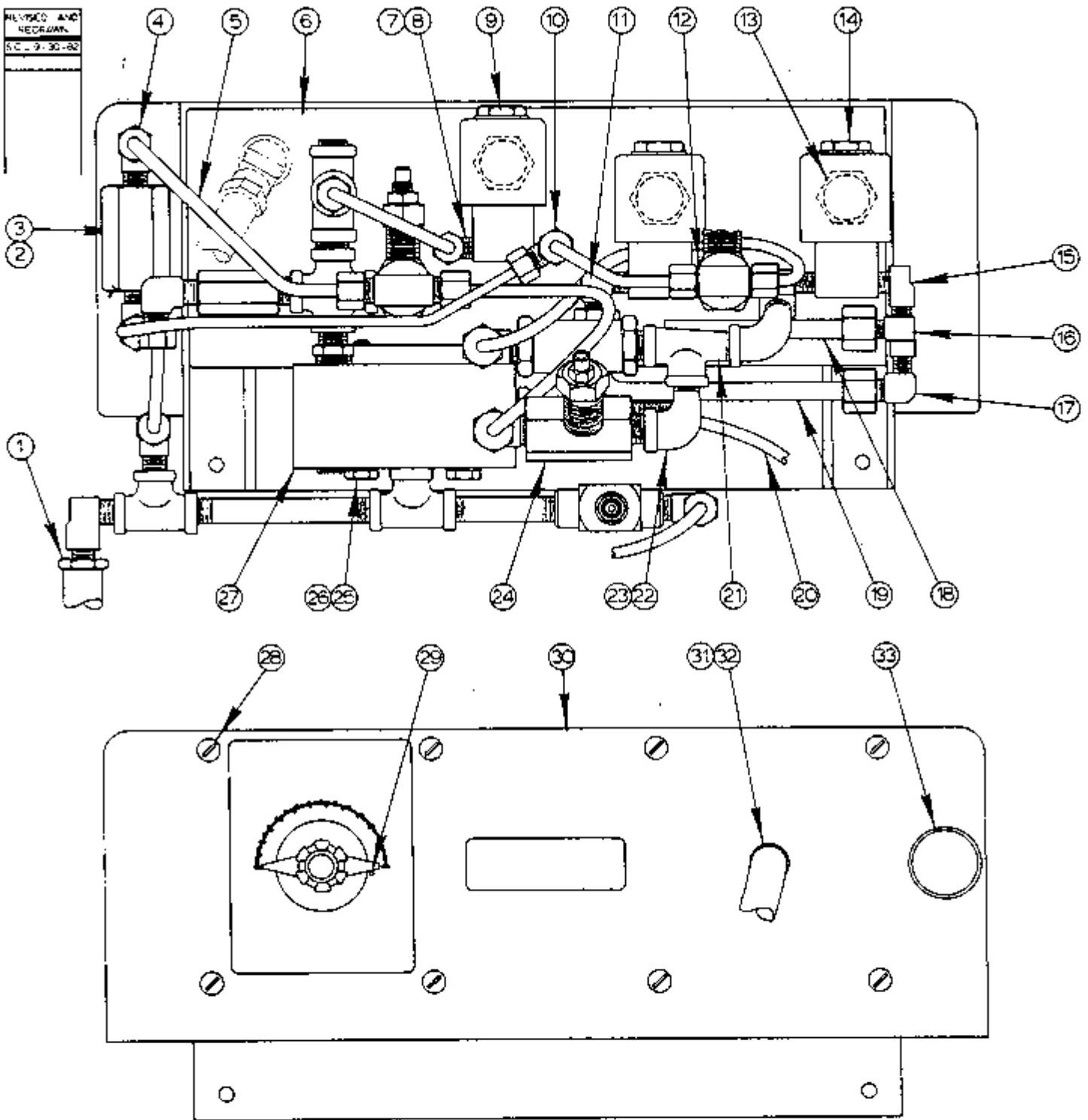


MODEL	FIRST MACH	LAST MACH
C-79	300-73123	300-77245
C-80	190-73271	190-77968
C-81	342-74101	342-77121
C-82	343-74101	343-76107
C-179	329-74101	329-76105
C-180	302-73106	302-77129

HEAD ASSEMBLY

## HEAD ASSEMBLY

INDEX NO.	PART NO.	DESCRIPTION	UNITS PER ASS'Y
Ref.	095-045944	Head Assembly (C-79)	
Ref.	095-022125	Head Assembly (C-80, C-81, C-82)	
Ref.	095-026142	Head Assembly (C-179)	
Ref.	095-057998	Head Assembly (C-180)	
1	090-248626	. Handwheel.....	1
2	090-043258	. Woodruff Key.....	1
3	091-984344	. Screw, Soc. Set 5/16-18NC x 1/4.....	1
4	095-021309	. Head Weldment.....	1
5	090-166851	. Bracket.....	1
6	090-545260	. Band Tension Assembly (See Detail).....	1
7	094-032463	. Drip Lip.....	1
8	091-007823	. Adjusting Screw.....	3
9	091-980514	. Screw, Hex. Hd. Cap 3/8-16NC x 2-1/4.....	3
10	135-064269	. Retaining Ring.....	1
11	094-018892	. Back Guard.....	1
12	134-034180	. Dowel Pin.....	2
13	091-980474	. Screw, Hex. Hd. Cap 3/8-16NC x 1-1/4.....	8
14	091-993329	. Washer, Lock 3/8 Std.....	17
15	095-000519	. Transmission Assembly (See Detail).....	1
16	090-390642	. Splash Guard.....	1
17	094-050028	. Bracket.....	1
18	091-982397	. Screw, Soc. Hd. Cap 1/4-20NC x 3/4.....	7
19	091-993212	. Washer, Lock 1/4 Std.....	9
20	091-988956	. Screw, Rd. Hd. Mach. 1/4-20NC x 1/2.....	15
21	091-993741	. Washer, Lock 1/4 Shakeproof Ext.....	11
22	091-220624	. Bar.....	1
23	091-993568	. Washer, Lock 1/4 Shakeproof Int.....	5
24	091-992602	. Washer, Flat 1/4 S.A.E. Std.....	3
25	091-193649	. Grip Ring.....	1
26	093-025096	. Spring Rod Assembly.....	1
27	093-025088	. Rod.....	1
28	091-220558	. Trunnion.....	1
29	091-314500	. Spring.....	1
30	091-992669	. Washer, Flat 1/2 S.A.E. Std.....	1
31	091-991323	. Nut, Hex. Jam 1/2-13NC.....	2
32	090-394719	. Door Latch Assembly (See Detail).....	1
33	091-220533	. Door Latch Stud.....	2
34	090-392788	. Door Latch Assembly (See Detail).....	1
35	095-025144	. Head Control Panel Assembly (W/Remote) (See Detail).....	1
36	091-982488	. Screw, Soc. Hd. Cap 1/4-20NC x 2-1/4 (C-79, C-80, C-81, C-82).....	3
	091-980151	. Screw, Hex. Hd. Cap 1/4-20NC x 2-1/4 (C-179, C-180).....	2
37	091-991158	. Nut, Hex. 1/4-20NC.....	3
38	091-991208	. Nut, Hex. Jam 1/4-28RF.....	1
39	093-029296	. Bracket.....	1
40	093-025070	. Bracket.....	1
41	091-987610	. Screw, Flat Hd. Mach. 1/4-20NC x 5/8.....	6
Ref.	090-394719	Door Latch Assembly	
42	091-988402	. Screw, Rd. Hd. Mach. #6-32NC x 3/8.....	2
43	091-228338	. Ramp.....	1
44	091-987396	. Screw, Flat Hd. Mach. #6-32NC x 3/8.....	2
45	091-993170	. Washer, Lock #6 Std.....	2
46	091-991083	. Nut, Hex. #6-32NC.....	2
47	135-027969	. Door Spring.....	1
48	090-397928	. Back-up Spring.....	1
49	091-223651	. Door Catch.....	1
Ref.	090-392788	Door Latch Assembly	
50	091-196873	. Spring.....	1
51	091-286518	. Plunger.....	1
52	091-982223	. Screw, Soc. Hd. Cap #10-24NC x 3/4.....	2
53	091-286212	. Bar.....	1
54	090-392762	. Door Latch Assembly.....	1
55	135-085827	. Retaining Ring.....	1
56	091-992602	. Washer, Flat 1/4 S.A.E. Std.....	1

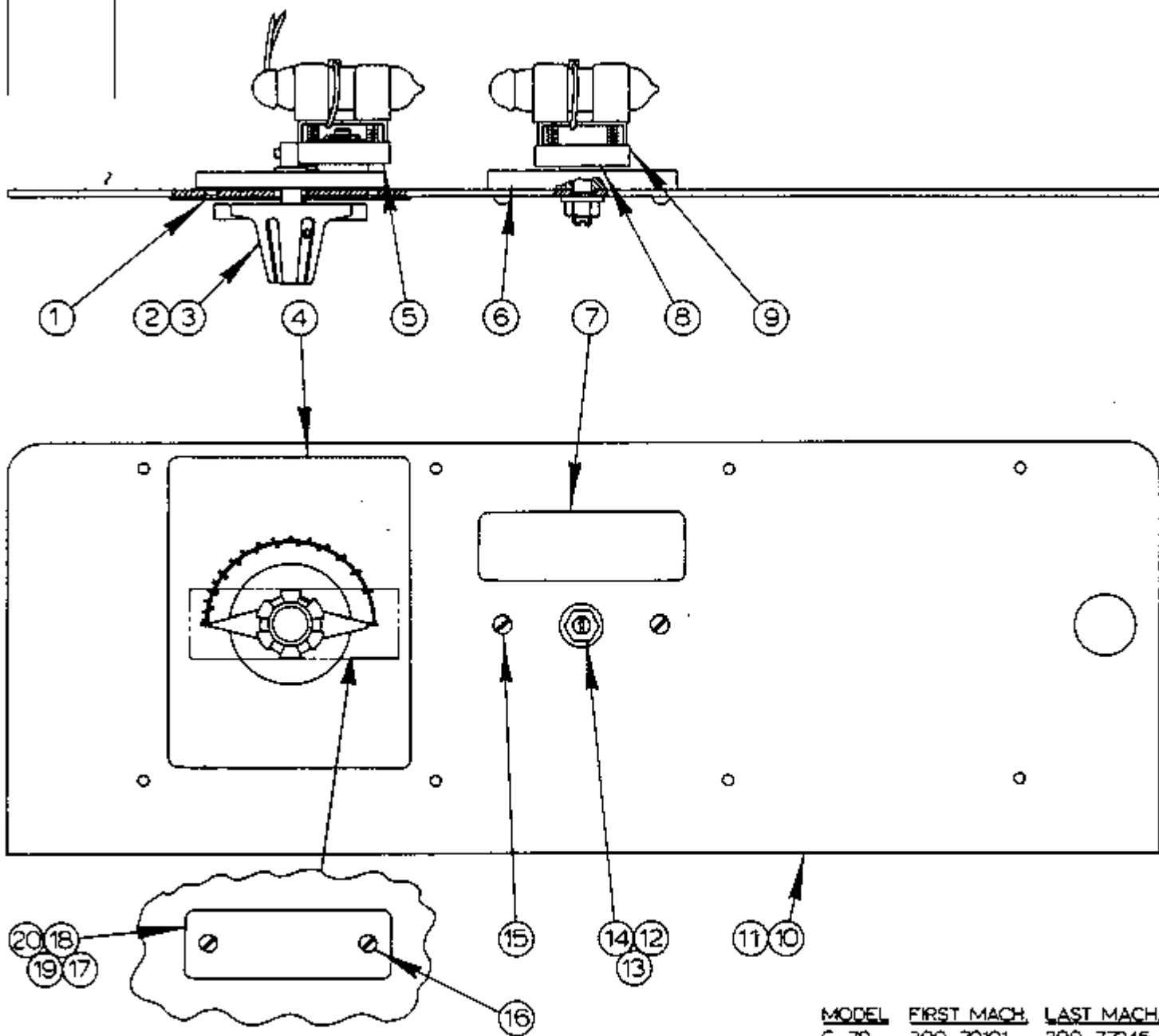


MODEL	FIRST MACH.	LAST MACH.
C-79	300-70101	300-77245
C-80	190-70101	190-77988
C-81	342-74101	342-77121
C-82	343-74101	343-76107
C-179	329-74101	329-76105
C-180	302-70101	302-77129

HEAD CONTROL PANEL ASSEMBLY  
(W/REMOTE)

## HEAD CONTROL PANEL ASSEMBLY

INDEX NO.	PART NO.	DESCRIPTION	UNITS PER ASS'Y
Ref.	095-025144	Head Control Panel Assembly (Used W/Remote Console)	
1	091-212621	. Hydraulic Hose.....	1
2	091-991380	. Nut, Hex. Jam 5/8-18NF.....	1
3	091-993618	. Washer, Lock 5/8 Shakeproof Int.....	1
4	093-090546	. 90° Male Elbow.....	4
5	091-971291	. Steel Tubing 1/4 O.D.....	A.R.
6	095-001525	. Enclosure Weldment.....	1
7	105-275069	. 90° Street Elbow.....	2
8	093-090942	. 45° Male Elbow.....	1
9	091-230789	. Solenoid Valve (60 Hz; 120 V).....	1
	091-230797	. Solenoid Valve (50 Hz; 110 V).....	1
10	093-091213	. Male Run Tee.....	1
11	093-090587	. 90° Male Elbow.....	3
12	093-091452	. Male Branch Tee.....	1
13	090-158189	. Conduit Nipple.....	3
14	091-221200	. Solenoid Valve (60/50 Hz; 120/110 V).....	2
15	091-238352	. 90° Reducer Elbow.....	3
16	093-090108	. Male Connector.....	1
17	093-090579	. 90° Male Elbow.....	1
18	091-971382	. Nylon Tubing 3/8 O.D.....	A.R.
19	091-971309	. Steel Tubing 3/8 O.D.....	A.R.
20	091-971374	. Nylon Tubing 1/4 O.D.....	A.R.
21	135-008472	. Service Tee.....	2
22	117-135210	. 90° Street Elbow.....	2
23	114-035074	. Close Nipple.....	3
24	091-408476	. Needle Valve.....	2
25	091-980342	. Screw, Hex. Hd. Cap 5/16-18NC x 2-1/2.....	2
26	091-993238	. Washer, Lock 5/16 Std.....	2
27	094-041209	. Control Valving Assembly (W/ Slow Approach) (See Detail)	1
	094-040508	. Control Valving Assembly (W/O Slow Approach) (See Detail)	1
28	091-990168	. Screw, Truss Hd. Mach. #10-24NC x 1/2.....	8
29	090-042110	. Roll Pin.....	1
30	094-019361	. Head Control Panel Sub-Assembly (C-79, C-80, C-81, C-82) (See Detail).....	1
	094-029543	. Head Control Panel Sub-Assembly(C-179, C-180)(See Detail)	1
31	091-383232	. Worklamp.....	1
32	090-150277	. Seal Nut.....	1
33	091-432088	. Needle Valve.....	1



MODEL	FIRST MACH.	LAST MACH.
C-79	300-70101	300-77245
C-80	190-70101	190-77988
C-81	342-74101	342-77121
C-82	343-74101	343-76107
C-179	329-76105	329-76105
C-180	302-76126	302-77129

HEAD CONTROL PANEL SUB-ASSEMBLY

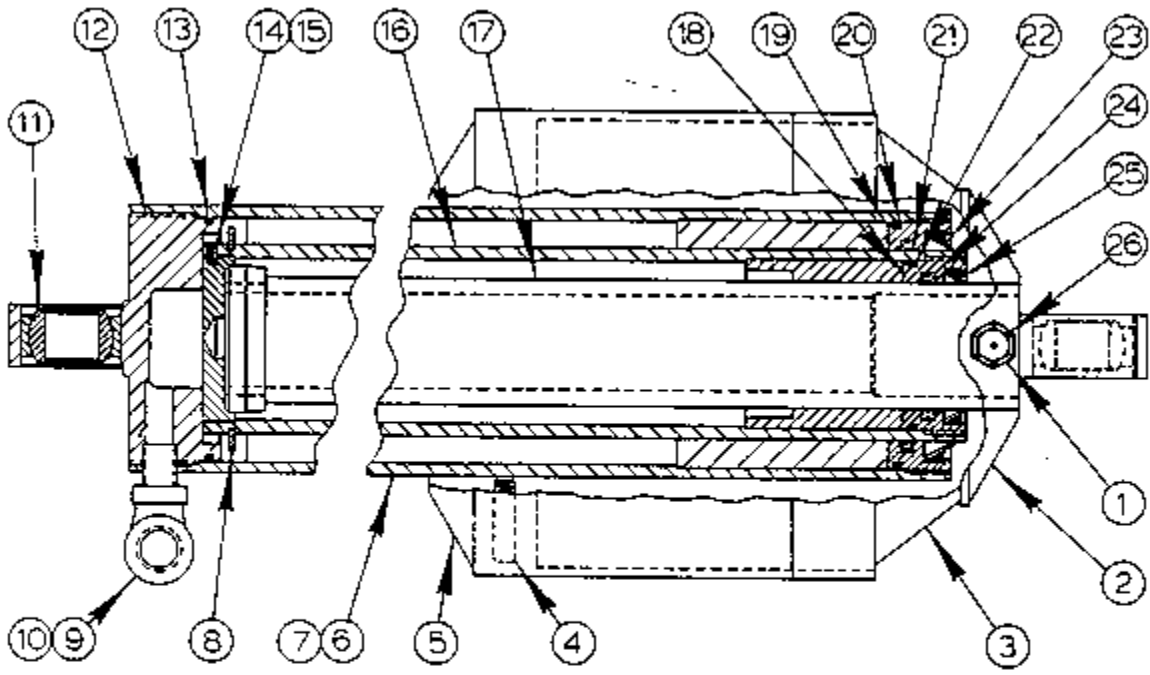
## HEAD CONTROL PANEL SUB-ASSEMBLY

INDEX NO.	PART NO.	DESCRIPTION	UNITS PER ASS'Y
Ref.	094-019361	Head Control Panel Sub-Assembly (C-79, C-80, C-81, C-82)	
Ref.	094-029543	Head Control Panel Sub-Assembly (C-179, C-180)	
*1	091-987396	. Screw, Flat Hd. Mach. #6-32NC x 3/8.....	2
*2	091-042333	. Knob.....	1
*3	091-984104	. Screw, Soc. Set #10-24NC x 1/4.....	1
*4	091-332031	. Escutcheon (Work Height Selector) (Inch).....	1
*	091-310730	. Escutcheon (Work Height Selector) (Metric).....	1
*5	091-213843	. Switch Assembly.....	1
6	091-367482	. Mounting Plate.....	1
*7	091-331041	. Escutcheon (C-179).....	1
*	091-331058	. Escutcheon (C-180).....	1
8	091-992933	. Washer, Brass 1/4 I.D.....	1
9	091-368126	. Adjustable Mercury Switch Assembly.....	1
10	094-051802	. Panel (English).....	1
	094-063476	. Panel (International).....	1
11	094-019403	. Gasket.....	1
12	091-991141	. Nut, Hex. Jam 1/4-20NC.....	1
13	091-992602	. Washer, Flat 1/4 S.A.E. Std.....	1
14	091-011940	. O-Ring.....	1
15	091-989384	. Screw, Rd. Hd. Mach. #6-32NC x 3/8.....	2
**16	091-988410	. Screw, Rd. Hd. Mach. #6-32NC x 1/2.....	2
**17	091-331025	. Escutcheon (C-79).....	1
**	091-331033	. Escutcheon (C-80).....	1
**	091-339260	. Escutcheon (C-81).....	1
**	091-339278	. Escutcheon (C-82).....	1
**18	091-224527	. Gasket.....	1
**19	091-991083	. Nut, Hex. #6-32NC.....	2
**20	091-993170	. Washer, Lock #6 Std.....	2

\*NOTE: Items #1 Thru #5 And #7 Used On C-179, C-180 Models Only.

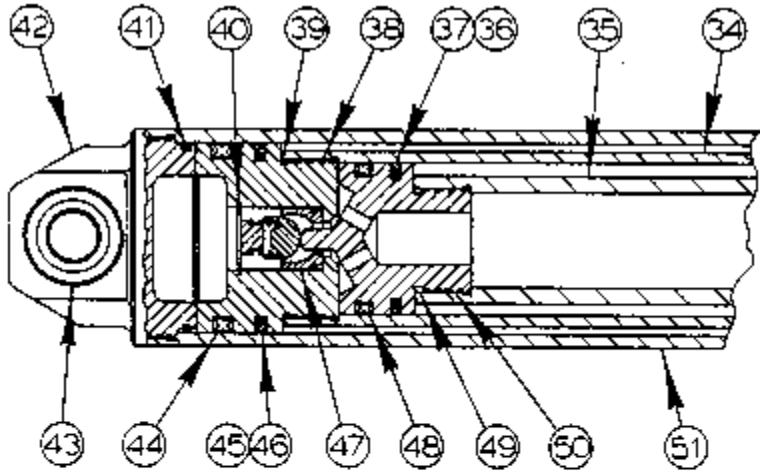
\*\*NOTE: Items #16 Thru #20 Used On C-79, C-80, C-81, C-82 Models Only.

REVISED AND REDRAWN
SCL 4-1-80



094-026200

MODEL	FIRST MACH	LAST MACH
C-79	300-70101	300-72111
C-80	190-70101	190-72196
C-180	302-70101	302-72102



094-029303

MODEL	FIRST MACH	LAST MACH
C-79	300-72112	300-77245
C-80	190-72197	190-77988
C-180	302-72103	302-77129

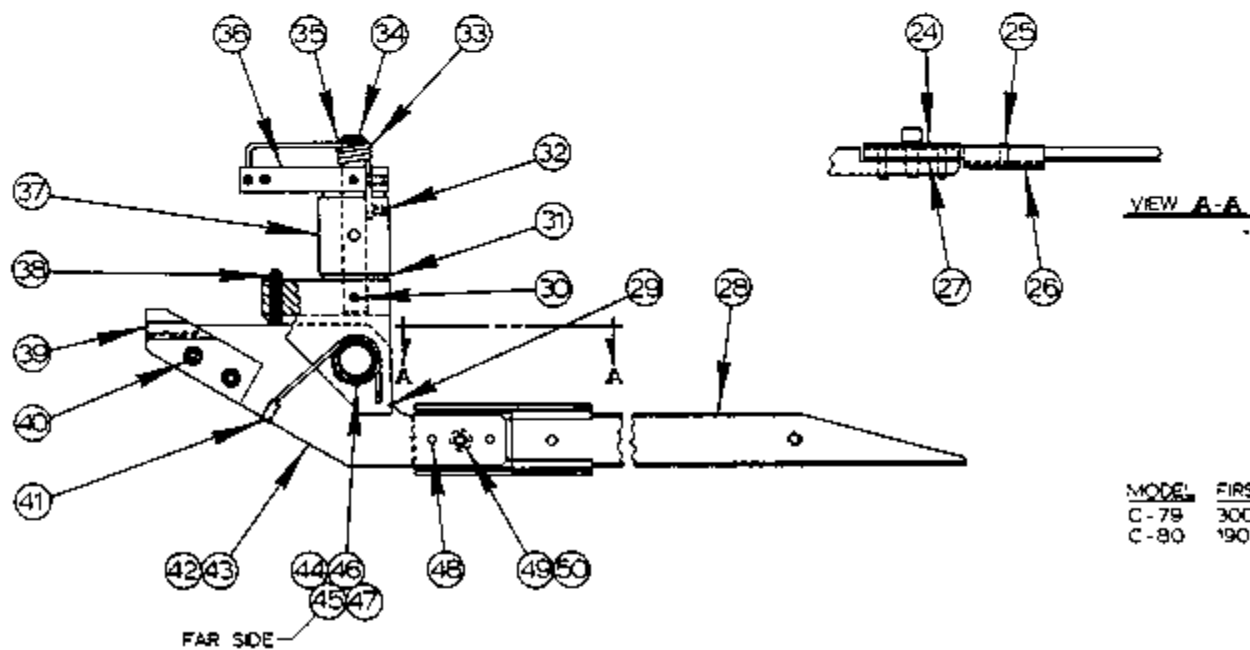
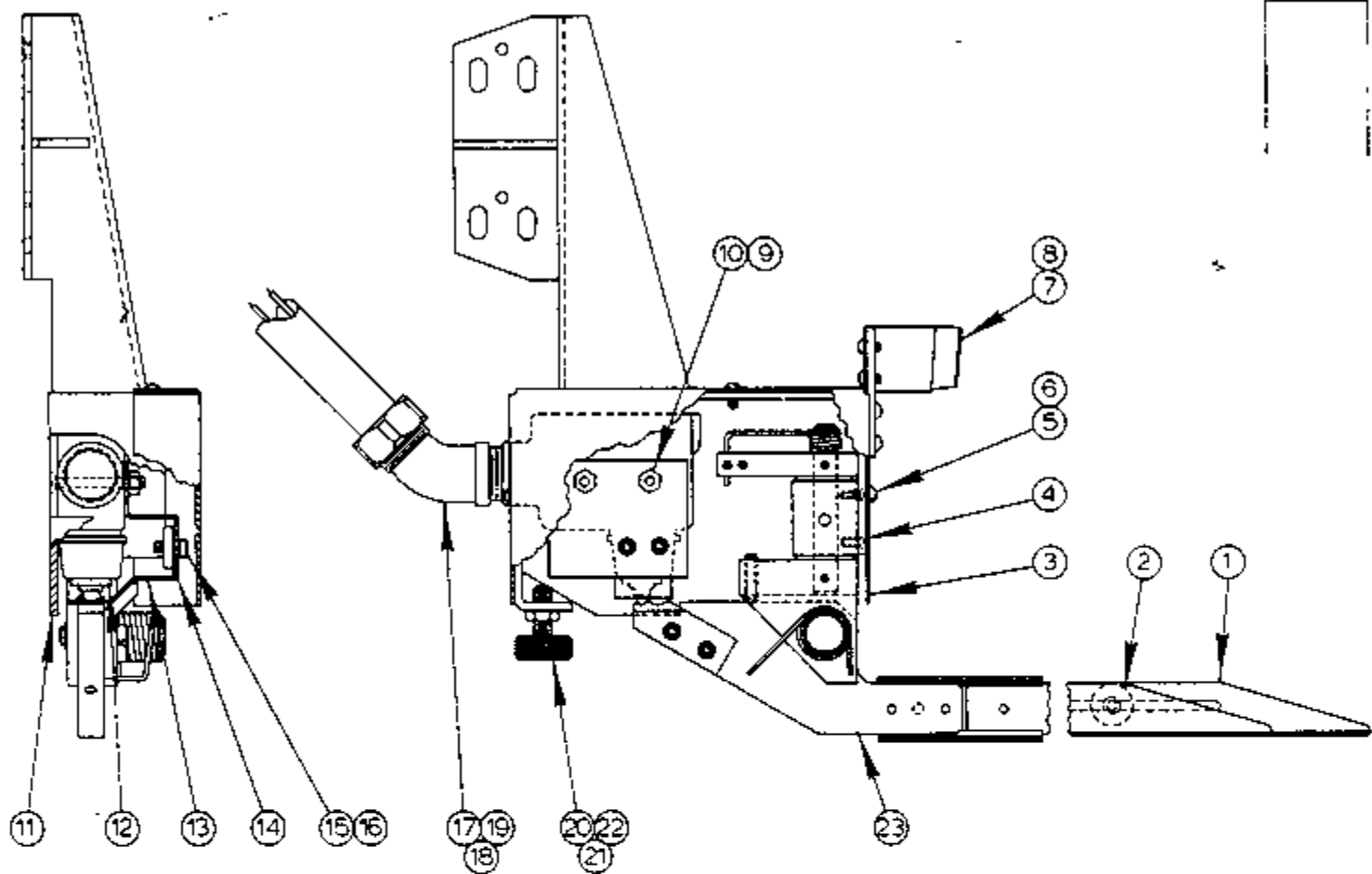
AND FOR ALL MODELS  
 C-81, C-82, C-179, C-1216M, CE-1216M,  
 C-1216A, CE-1216A, C-1216A-8  
 C-1216A-12, CT-1216M, CT-1216A,  
 C-1220A, CE-1220A, C-1220M,  
 CE-1220M

HEAD LIFT CYLINDER  
 ASSEMBLY

## HEAD LIFT CYLINDER ASSEMBLY

INDEX NO.	CATALOG NO.	DESCRIPTION	UNITS PER ASS'Y.
Ref.	094-026200	Head Lift Cylinder Assembly	
1	091-224766	. Adaptor .....	1
2	090-397969	. Retainer .....	1
3	091-224808	. Elastomere Cover .....	1
4	091-984286	. Screw, Soc. Set 1/4-20NC x 1 .....	2
5	090-397993	. Receptacle Assembly .....	1
6	094-019502	. Head Lift Cylinder Assembly .....	1
7	090-389206	. Sleeve Assembly .....	1
8	091-212860	. Retaining Ring .....	2
9 <sup>2</sup>	090-152224	. 90° Reducing Elbow .....	1
10	114-145287	. Close Nipple .....	1
11	091-212597	. Bearing .....	2
12	094-012358	. End Cap .....	1
13	091-212803	. O-Ring .....	1
14	091-984021	. Screw, Soc. Set #6-32NC x 1/4 .....	3
15	091-237677	. Orifice Plate .....	1
16	090-389214	. Sleeve Assembly .....	1
17	090-388703	. Rod Assembly .....	1
18	090-393934	. Gland Nut .....	1
19	090-393042	. Gland Nut .....	1
20	091-112987	. O-Ring .....	1
21	091-212795	. Quad Ring .....	1
22	091-186767	. O-Ring .....	1
23	091-010603	. Scraper Ring .....	1
24	091-212787	. Quad Ring .....	1
25	090-135849	. Scraper Ring .....	1
26	091-000398	. Air Vent .....	1
Ref.	094-029303	Head Lift Cylinder Assembly	
27	090-084468	. Tapered Plastic Cap/Plug .....	1
28	093-001949	. Gland Nut .....	1
29	091-241919	. Rod Wiper .....	1
30	091-307629	. Quad Ring .....	1
31	093-001931	. Gland Nut .....	1
32	091-241901	. Rod Wiper .....	1
33	091-307611	. Quad Ring .....	1
34	094-029295	. Sleeve .....	1
35	093-001998	. Rod Assembly .....	1
36	091-448282	. Piston Ring .....	1
37	091-450353	. O-Ring .....	1
*38	093-068542	. Piston .....	1
39	091-241935	. O-Ring .....	1
40	091-257758	. Retaining Ring .....	1
41	091-241943	. O-Ring .....	1
42	093-001972	. End Cap .....	1
43	091-212597	. Bearing .....	2
44	091-307124	. Quad Ring .....	1
45	091-448290	. Piston Ring .....	1
46	091-186767	. O-Ring .....	1
47	091-575829	. Check Valve .....	1
48	091-307116	. Quad Ring .....	1
49	091-080366	. O-Ring .....	1
*50	093-068559	. Piston .....	1
51	094-029311	. Sleeve .....	1

\*NOTE: Item #38 was 093-001964 and Item #50 was 093-001956 Before Serial #374-78117 on C-1216M, #373-78204 on C-1216A, #387-78106 on CE-1216A, #378-78106 on C-1216A-6 and on all C-79, C-80, C-81, C-82, C-179, C-180 Models.



MODEL	FIRST MACH	LAST MACH
C - 78	300 - 70101	300 - 74157
C - 80	190 - 70101	190 - 74550

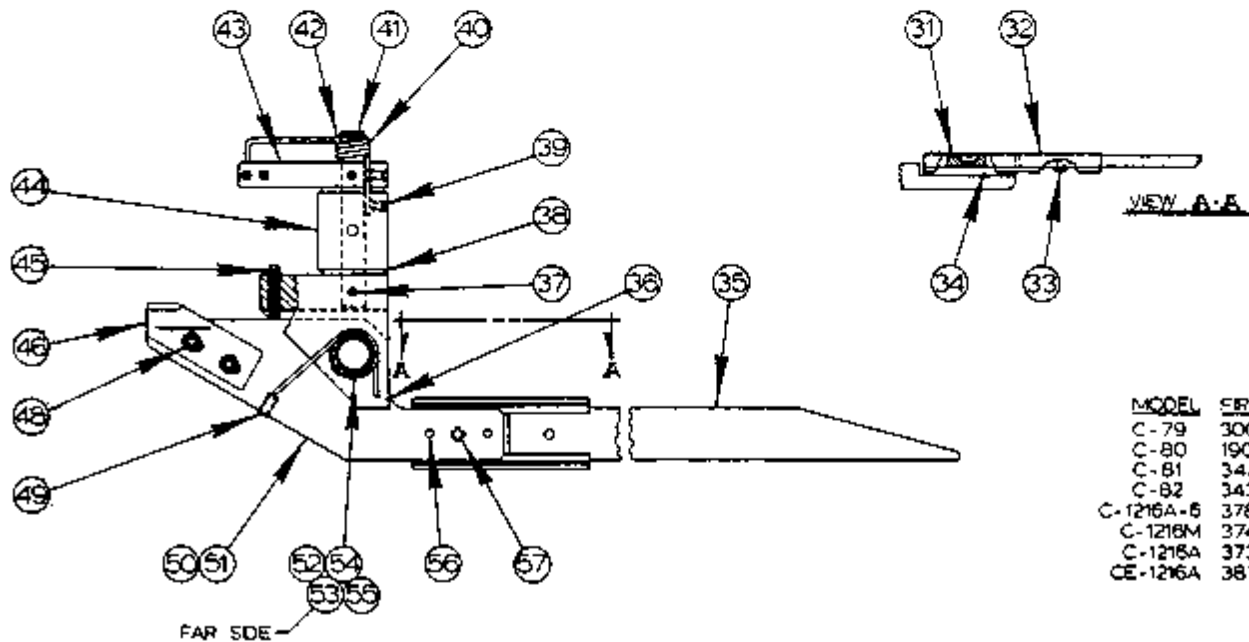
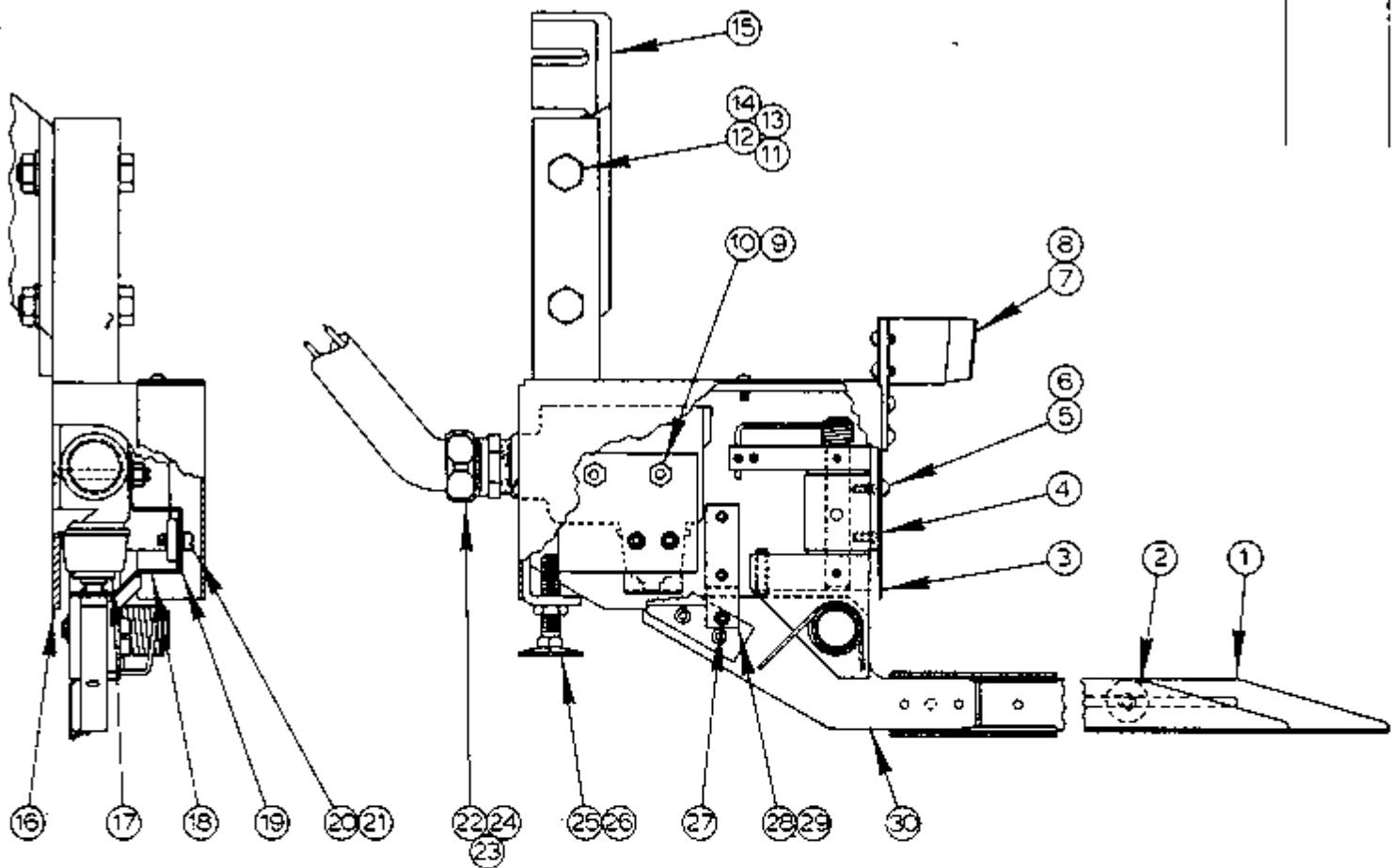
HEAD RAISE LIMIT ASSEMBLY

HEAD RAISE LIMIT ASSEMBLY

INDEX NO.	CATALOG NO.	DESCRIPTION	UNITS PER ASS'Y.
Ref.	095-001590	Head Raise Limit Assembly	
1	091-242669	. Wand Extension	1
2	091-564773	. Thumbscrew Assembly	1
	091-609669	. . Knob	1
	091-982090	. . Screw, Soc. Hd. Cap #8-32NC x 1/4	1
3	094-017407	. Cover	1
4	091-983536	. Screw, Soc. Hd. Flat #6-32NC x 3/8	4
5	091-988386	. Screw, Rd. Hd. Mach. #6-32NC x 1/4	7
6	091-993626	. Washer, Lock #6 Shakeproof Int.	5
*7	091-304535	. Mounting Bar	1
8	090-394800	. Spring Clip	1
9	091-987800	. Screw, Flat Hd. Mach. #6-32NC x 1-1/2	2
10	091-991083	. Nut, Hex. #6-32NC	2
11	094-019411	. Bracket Weldment	1
12	135-094886	. Limit Switch	1
13	091-208900	. Tripper Leaf	1
14	090-385884	. Bracket	1
15	091-208892	. Block	1
16	091-982074	. Screw, Soc. Hd. Cap #6-32NC x 3/8	2
17	090-144825	. 45° Sealtite Connector	1
18	091-971556	. Sealtite Conduit 3/8"	A.R.
19	091-971903	. Wire, #14 Red (Nylon Jacket)	A.R.
20	090-025941	. Nut	1
21	091-984294	. Screw, Soc. Set 1/4-20NC x 1-1/4	1
22	091-991141	. Nut, Hex. Jam 1/4-20NC	1
23	094-019429	. Arm Assembly	1
**24	091-302497	. . Back Plate	1
25	091-289942	. . Pin	1
26	094-040169	. . Spring Clip	1
27	091-289934	. . Adaptor	1
**28	093-016640	. . Wand	1
29	090-385840	. . Clevis	1
30	090-042177	. . Roll Pin	2
31	091-092668	. . Washer	2
32	091-984021	. . Screw, Soc. Set #6-32NC x 1/4	2
33	091-208827	. . Spring	1
34	091-208884	. . Pivot Shaft	1
35	090-032764	. . Retaining Ring	1
26	091-208876	. . Lug	1
37	090-385857	. . Pivot Block	1
38	091-100487	. . Screw, Soc. Set #8-32NC x 3/4 (Nylac)	3
39	091-208868	. . Tripper Lug	1
40	091-983346	. . Screw, Soc. Hd. Cap #6-32NC x 1/2	2
41	091-984815	. . Screw, Soc. Set #6-32NC x 3/16	1
42	090-385832	. . Sector	1
43	091-217414	. . Needle Valve	1
44	091-208850	. . Spindle	1
45	135-096162	. . Retaining Ring (Far Side)	1
46	135-064269	. . Retaining Ring	1
47	091-208835	. . Spring	1
**48	135-074664	. . Dowel Pin	2
**49	091-982116	. . Screw, Soc. Hd. Cap #8-32NC x 1/2	1
50	091-993717	. . Washer, Lock #8 Shakeproof Ext.	1

\*NOTE: Item #7 was 091-224683 Before Serial #300-73121 on C-79 and 190-73274 on C-80.

\*\*NOTE: Item #24 was 090-112228 Washer, Item #28 was 090-385824 Wand, Item #48 was 090-025867 Dowel Pin and #49 was 091-224303 Thumbscrew Before Serial #300-73122 on C-79 and #190-73291 on C-80.



MODEL	FIRST MACH	LAST MACH
C-79	300-74158	300-77245
C-80	190-74551	190-77988
C-81	342-74101	342-77121
C-82	343-74101	343-76105
C-1216A-6	378-77101	378-79107
C-1216M	374-77101	374-83234
C-1216A	373-77101	373-83822
CE-1216A	387-77101	387-83174

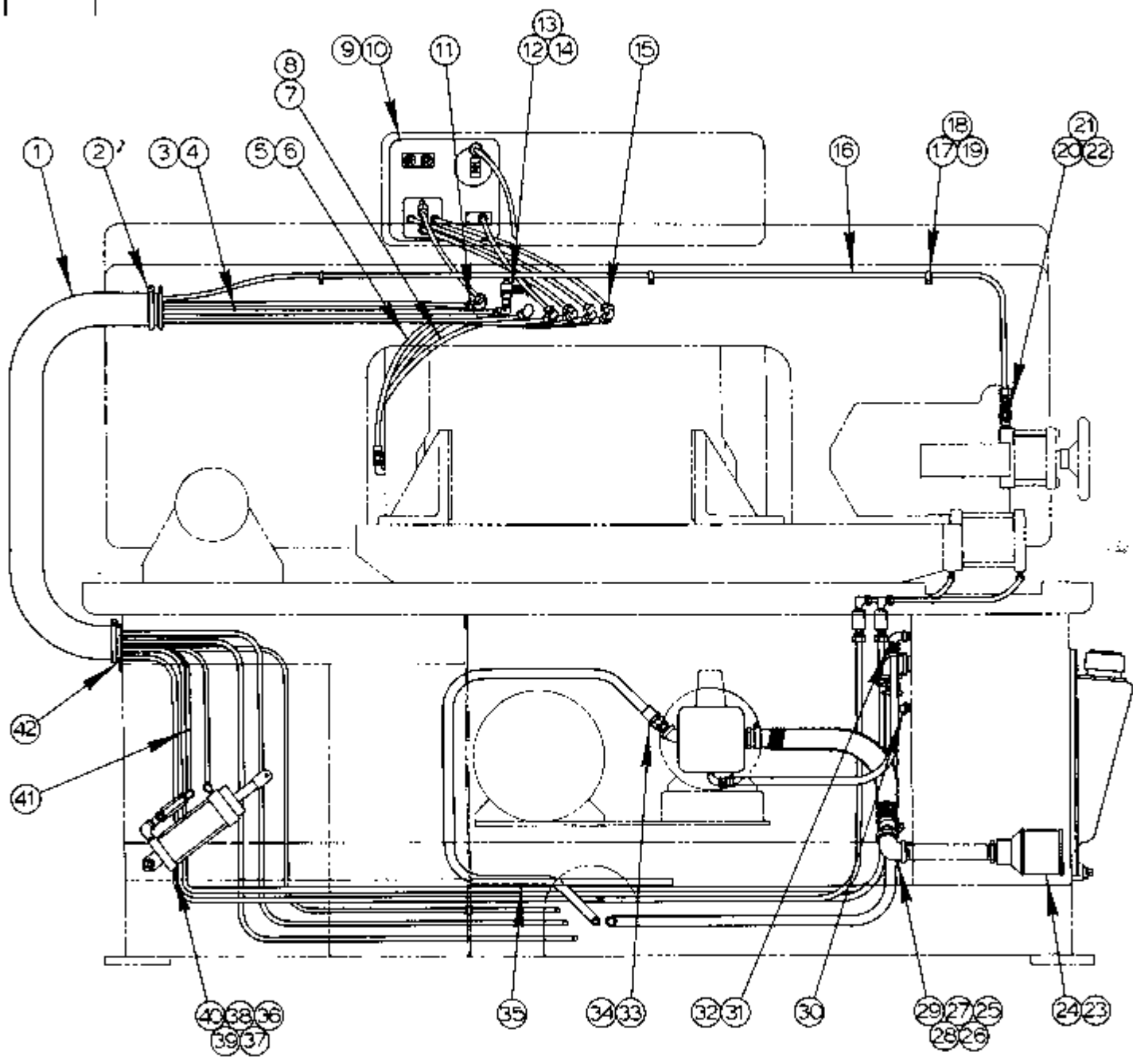
HEAD RAISE LIMIT ASSEMBLY

## HEAD RAISE LIMIT ASSEMBLY

INDEX NO.	CATALOG NO.	DESCRIPTION	UNITS PER ASS'Y.
Ref.	095-036976	Head Raise Limit Assembly (C-79, C-1216M)	
Ref.	095-036927	Head Raise Limit Assembly (C-80, C-81, C-82, C-1216A-6)	
Ref.	091-529834	Head Raise Limit Assembly (C-1216A, CE-1216A)	
*1	091-242669	Wand Extension .....	1
*2	091-564773	Thumbscrew Assembly .....	1
	091-609669	Knob .....	1
	091-982090	Screw, Soc. Hd. Cap #8-32NC x 1/4 .....	1
3	094-052636	Cover .....	1
4	091-983536	Screw, Soc. Hd. Flat #6-32NC x 3/8 .....	4
5	091-988386	Screw, Rd. Hd. Mach. #6-32NC x 1/4 .....	7
6	091-993626	Washer, Lock #6 Shakeproof Int. ....	7
7	091-337964	Mounting Bar .....	1
8	090-394800	Spring Clip .....	1
9	091-987800	Screw, Flat Hd. Mach. #6-32NC x 1-1/2 .....	4
10	091-991083	Nut, Hex. #6-32NC .....	2
11	091-980128	Screw, Hex. Hd. Cap 1/4-20NC x 1-1/2 (C-1216A, CE-1216A Only) .....	2
12	091-992602	Washer, Flat 1/4 S.A.E. Std. (C-1216A, CE-1216A Only) .....	2
13	091-991158	Nut, Hex. 1/4-20NC (C-1216A, CE-1216A Only) .....	2
14	091-993212	Washer, Lock 1/4 Std. (C-1216A, CE-1216A Only) .....	2
15	094-050028	Bracket (C-1216A, CE-1216A Only) .....	1
16	094-052487	Bracket Weldment .....	1
17	135-094886	Limit Switch .....	1
18	091-208900	Tripper Leaf .....	1
19	090-385884	Bracket .....	1
20	091-208892	Block .....	1
21	091-982074	Screw, Soc. Hd. Cap #6-32NC x 3/8 .....	2
22	090-144825	45° Sealrite Connector (C-79, C-1216M) .....	1
	090-144833	Sealrite Connector (C-80, C-81, C-82, C-1216A, C-1216A-6, CE-1216A) .....	1
23	091-971556	Sealrite Conduit 3/8" .....	A.R.
24	091-971903	Wire, #14 Red (Nylon Jacket) .....	A.R.
25	091-340976	Actuator .....	1
26	091-991141	Nut, Hex. Jam 1/4-20NC .....	1
27	091-142810	Screw, Soc. Set #10-24NC x 1/2 (Self-Locking) .....	1
28	091-339747	Stop .....	1
29	091-337956	Block .....	1
30	094-050036	Arm Assembly .....	1
31	091-337931	Wand Holder .....	1
32	094-052792	Spring Clip .....	1
33	091-994004	Screw, Rd. Hd. Drive #6 x 1/4 .....	1
34	091-337923	Sector Spacer .....	1
35	093-030914	Wand .....	1
36	090-385840	Clevis .....	1
37	090-042177	Roll Pin .....	2
38	091-092668	Washer .....	2
39	091-984021	Screw, Soc. Set #6-32NC x 1/4 .....	2
40	091-208827	Spring .....	1
41	091-208884	Pivot Shaft .....	1
42	090-032764	Retaining Ring .....	1
43	091-208876	Lug .....	1
44	090-385857	Pivot Block .....	1
45	091-100487	Screw, Soc. Set #8-32NC x 3/4 (Nylon) .....	3
46	091-208868	Tripper Lug .....	1
48	091-983346	Screw, Soc. Hd. Cap #6-32NC x 1/2 .....	2
49	091-984815	Screw, Soc. Set #6-32NC x 3/16 .....	1
50	090-385832	Sector .....	1
51	091-217414	Needle Valve .....	1
52	091-208850	Spindle .....	1
53	135-096162	Retaining Ring (For Side) .....	1
54	135-064269	Retaining Ring .....	1
55	091-208835	Spring .....	1
56	135-074664	Dowel Pin .....	2
57	091-987420	Screw, Flat Hd. Mach. #8-32NC x 1/2 .....	1

\*NOTE: Used On Machines With Floating Jaw and 12" Work Capacity Only.

REVISED AND  
 REDRAWN  
 SCL 8-2-82



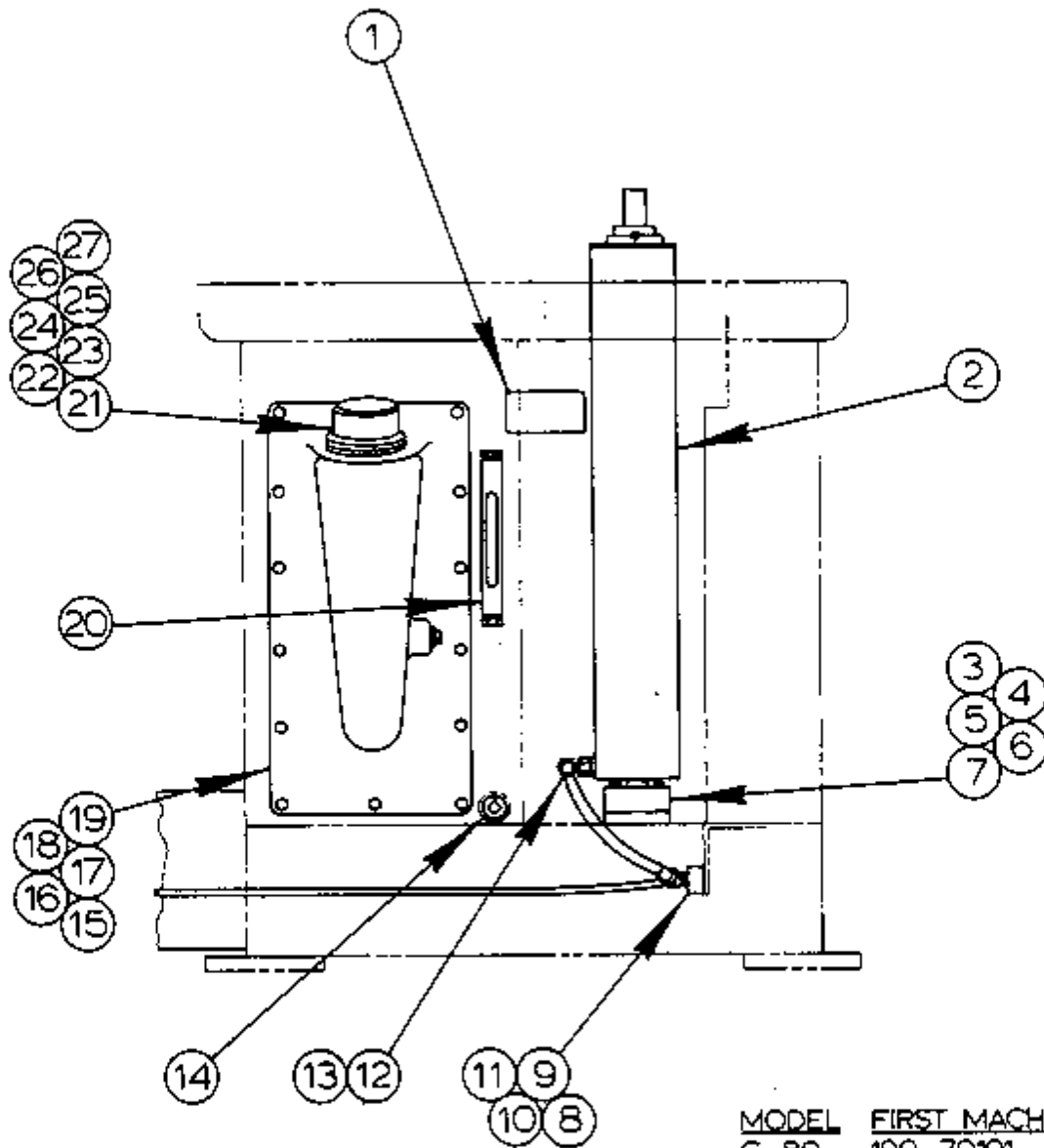
MODEL	FIRST MACH.	LAST MACH.
C-80	190-70101	190-72196

HYDRAULIC ASSEMBLY

## HYDRAULIC ASSEMBLY

INDEX NO.	PART NO.	DESCRIPTION	UNITS PER ASS'Y
Ref.	095-001806	Hydraulic Assembly	
1	090-167073	. Flexible Hose 3" I.D.....	A.R.
2	090-110024	. Hose Clamp.....	2
3	091-971390	. Nylon Tubing 1/2 O.D.....	A.R.
4	091-971465	. Plastic Tubing 1/2 I.D. (Clear).....	A.R.
5	091-220509	. Hydraulic Hose.....	2
6	090-081514	. Swivel Adaptor Union.....	5
7	090-159708	. Hydraulic Hose.....	1
8	090-038498	. Swivel Adaptor Union.....	1
9	095-005385	. Control Panel Assembly (Hydraulic) (See Detail).....	1
10	091-990150	. Screw Truss Hd. Mach. #10-24NC x 3/8.....	6
11	093-090579	. 90° Male Elbow.....	A.R.
*12	091-009316	. Needle Valve.....	1
13	093-090157	. Male Connector.....	1
14	114-035074	. Close Nipple.....	1
15	093-090546	. 90° Male Elbow.....	9
16	091-971382	. Nylon Tubing 3/8 O.D.....	A.R.
17	090-096710	. Clamp.....	A.R.
18	091-988675	. Screw Rd. Hd. Mach. #10-24NC x 3/8.....	A.R.
19	091-993196	. Washer, Lock #10 Std.....	A.R.
20	093-090108	. Male Connector.....	2
21	135-008472	. Service Tee.....	1
22	105-046122	. Sq. Hd. Pipe Plug.....	1
23	091-211896	. Strainer.....	1
24	090-057332	. Hex. Reducer Bushing.....	1
25	091-220640	. Hose 1-3/8 O.D.....	1
26	105-046171	. 90° Elbow.....	1
27	091-220657	. Barbed Insert.....	1
28	091-220632	. Spring.....	1
29	091-220665	. Hose Clamp.....	2
30	090-104464	. Pipe Cap.....	1
31	135-005197	. 90° Elbow.....	2
32	090-020041	. Barbed Insert.....	4
33	090-081571	. Hose 1/2 I.D.....	1
34	090-031774	. Swivel Adaptor Union.....	2
35	091-971069	. Extruded Neoprene Channel.....	A.R.
36	090-301904	. Speed Change Cylinder Assembly (See Detail).....	1
37	091-045765	. Stud.....	1
38	091-991323	. Nut, Hex. Jam 1/2-13NC.....	2
39	091-992669	. Washer, Flat 1/2 S.A.E. Std.....	A.R.
40	090-046152	. Spacer.....	1
41	091-971374	. Nylon Tubing 1/4 O.D.....	A.R.
42	091-224469	. Collar Weldment.....	1

\*NOTE: Item #12 091-009316 Needle Valve Used After Serial #190-72175.



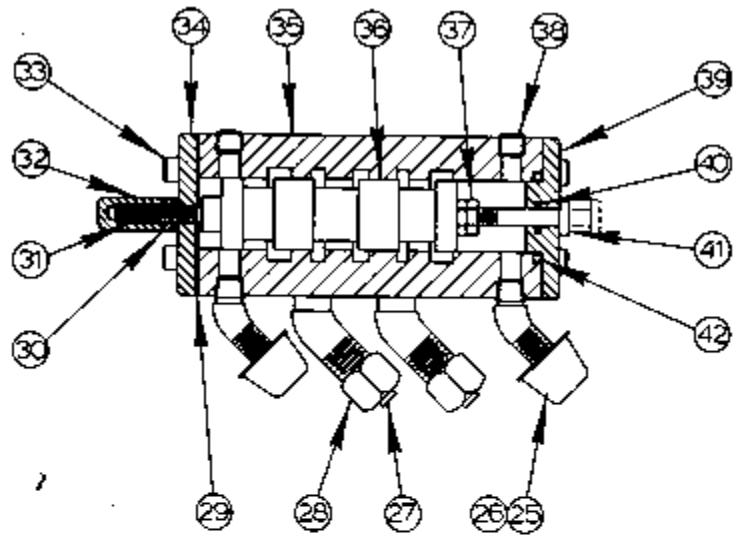
MODEL	FIRST MACH.	LAST MACH.
C-80	190-70101	190-72196

HYDRAULIC ASSEMBLY

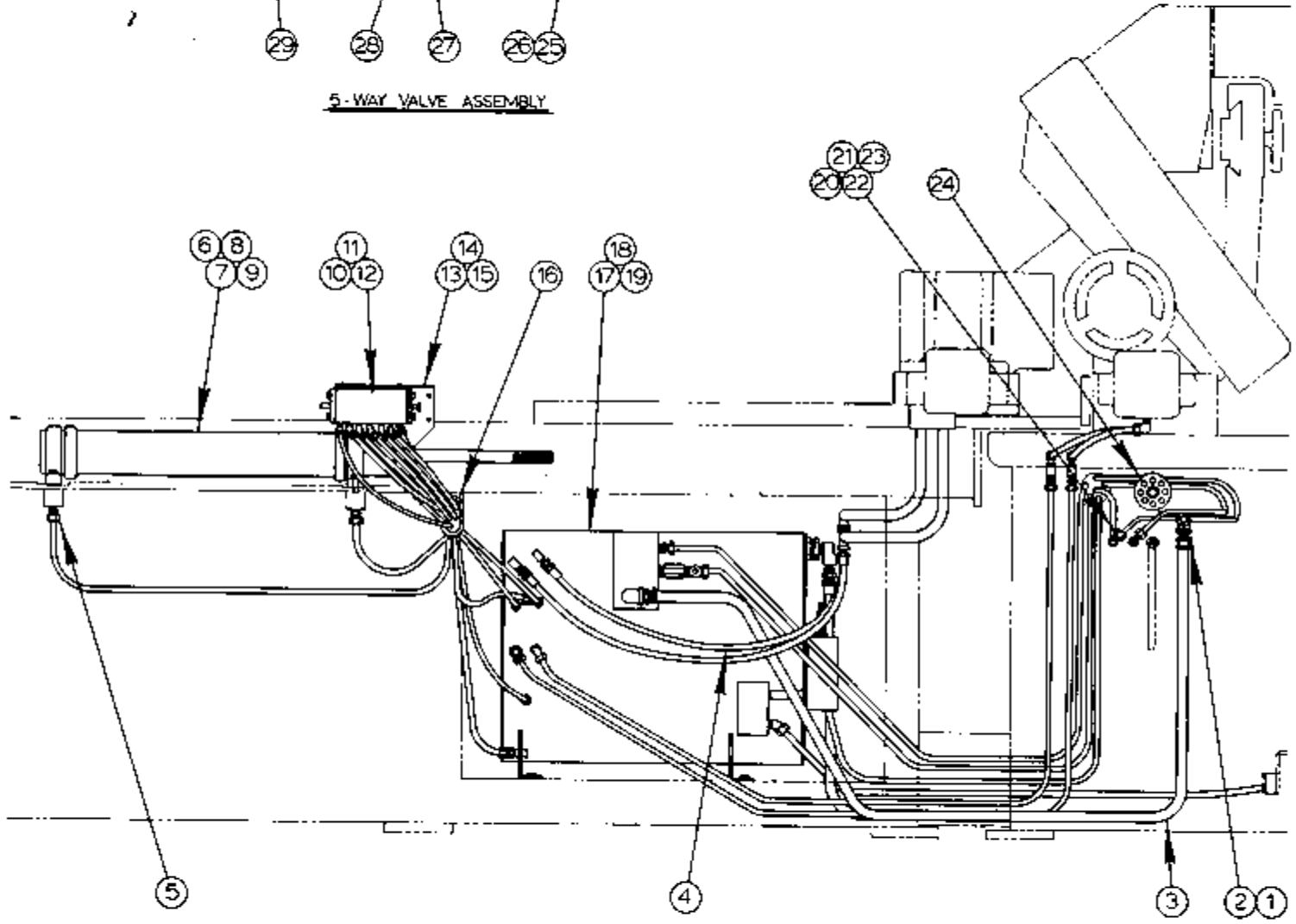
## HYDRAULIC ASSEMBLY

INDEX NO.	PART NO.	DESCRIPTION	UNITS PER ASS'Y
Ref.	095-001806	Hydraulic Assembly (0" to 24" Index)	
Ref. ,	095-009650	Hydraulic Assembly (6 Foot Index)	
1	091-160739	. Escutcheon (Hydraulic Fluid Specs.).....	1
2	094-019502	. Head Life Cylinder Assembly (See Detail).....	1
3	091-211920	. Pin.....	1
4	091-984245	. Screw, Soc. Set 1/4-20NC x 3/8.....	1
5	091-982827	. Screw, Soc. H. Cap 3/8-16NC x 1-3/4.....	2
6	091-993329	. Washer, Lock 3/8 Std.....	2
7	090-385667	. Lug.....	1
8	091-212902	. Manifold.....	1
9	093-090140	. Male Connector.....	1
10	091-983452	. Screw, Soc. Hd. Cap #10-24NC x 2.....	2
11	105-115174	. Reducer Bushing (0" to 24" Index).....	1
	135-011278	. Close Nipple (6 Foot Index).....	2
12	091-050534	. 90° Street Elbow.....	A.R.
13	091-212621	. Hose 3/8 I.D.....	1
14	090-112657	. Sq. Hd. Pipe Plug.....	1
15	090-528613	. Oil Filler Plate.....	1
16	090-123043	. Gasket.....	1
17	106-335185	. Sq. Hd. Pipe Plug.....	1
18	091-980078	. Screw, Hex. Hd. Cap 1/4-20NC x 5/8.....	14
19	091-992933	. Washer, Flat 1/4 Brass.....	24
20	091-086546	. View Gauge.....	1
21	091-022855	. Adaptor and Screen Assembly.....	1
22	091-055905	. Gasket.....	2
23	091-994202	. Screw, Rd. Hd. Sheet Metal #10 x 1/2.....	6
24	090-138553	. Filler Neck.....	1
25	090-138561	. Filler Cap.....	1
26	091-984681	. Screw, Rd. Hd. Self-Tap #8 x 1/2.....	1
27	091-993717	. Washer, Lock #8 Shakeproof Ext.....	1

REVISED AND REDRAWN SCL 6-18-62



5-WAY VALVE ASSEMBLY



MODEL	FIRST MACH	LAST MACH
C-80	190-70'01	190-72'96

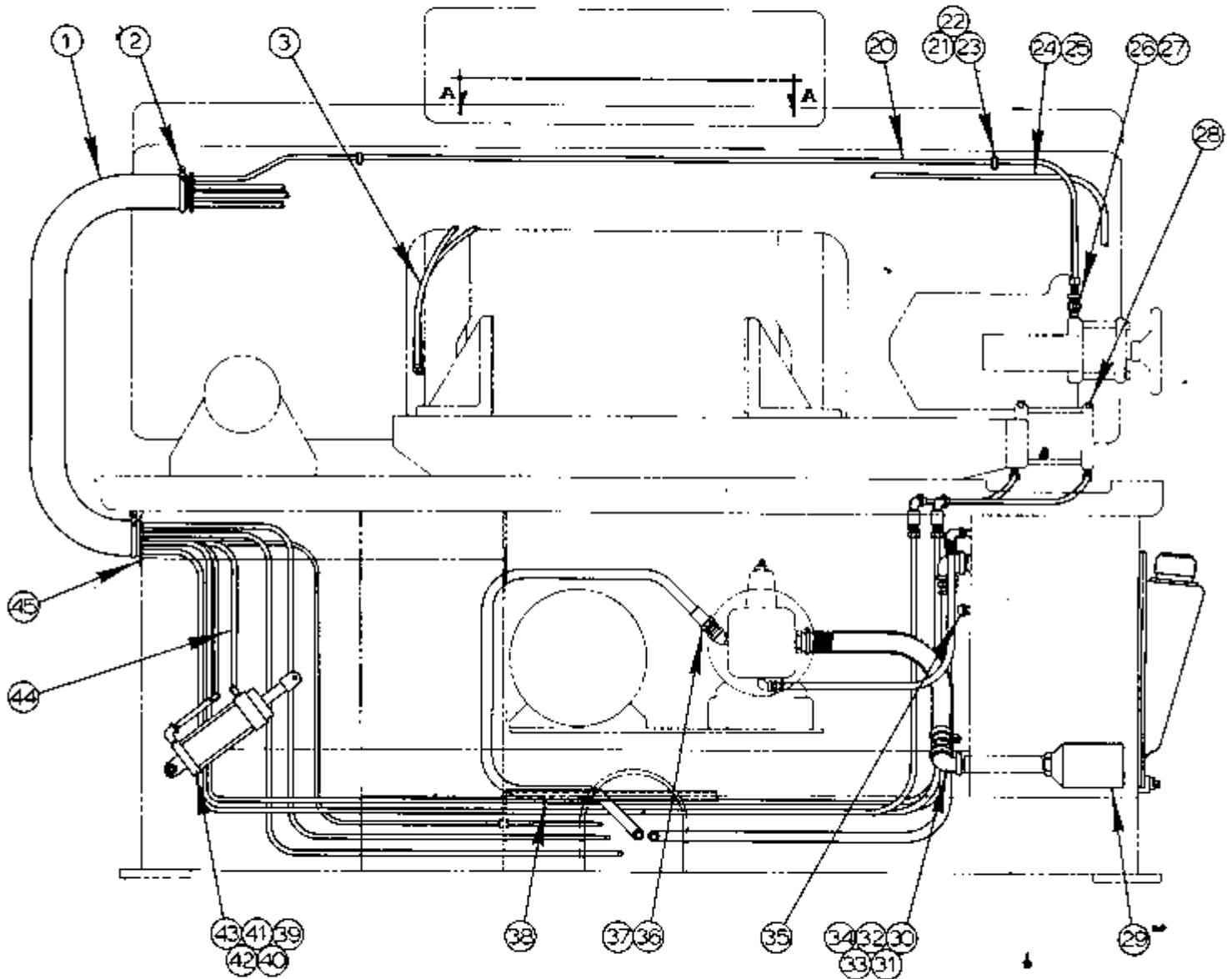
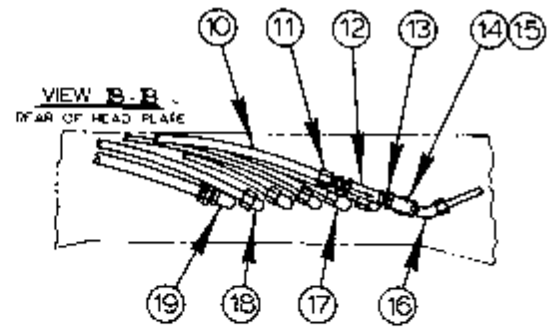
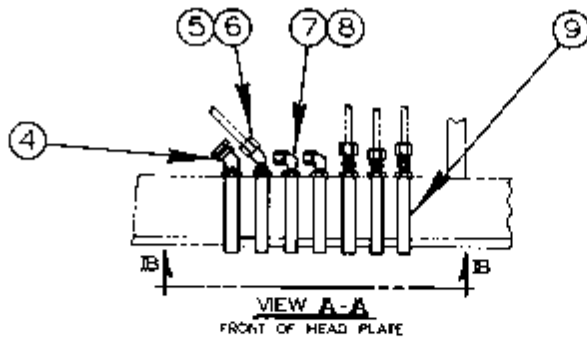
HYDRAULIC ASSEMBLY

## HYDRAULIC ASSEMBLY

INDEX NO.	PART NO.	DESCRIPTION	UNITS PER ASS'Y
Ref.	095-001806	Hydraulic Assembly	
1	091-010454	. 90° Reducing Elbow.....	1
2	091-209049	. Barbed Insert.....	1
3	091-971093	. Hose 5/8 I.D.....	A.R.
4	091-127985	. Hydraulic Hose.....	2
5	093-090124	. Male Connector.....	2
6	090-542457	. Feed Table Cylinder Assembly (See Detail).....	1
7	135-087278	. O-Ring.....	2
8	091-983718	. Screw, Soc. Hd. Cap 3/8-16NC x 1.....	4
9	090-051500	. Washer, Lock 3/8 Hi-Collar.....	4
10	090-388448	. 5-Way Valve Assembly (See Detail).....	1
11	091-980292	. Screw, Hex. Hd. Cap 5/16-18NC x 1.....	4
12	091-993758	. Washer, Lock 5/16 Shakeproof Ext.....	4
13	090-388612	. Mounting Plate.....	1
14	091-982413	. Screw, Soc. Hd. Cap 1/4-20NC x 7/8.....	4
15	091-165084	. Dowel Pin.....	4
16	090-128331	. Grommet.....	1
17	095-000600	. Valve Panel Assembly (See Detail).....	1
18	091-980060	. Screw, Hex. Hd. Cap 1/4-20NC x 1/2.....	6
19	091-993741	. Washer, Lock 1/4 Shakeproof Ext.....	10
20	135-024743	. Pipe Tee.....	1
21	093-090058	. Male Connector.....	2
22	091-970962	. Hose 5/8 O.D.....	A.R.
23	091-212886	. Hose Clamp.....	4
24	105-115109	. Breather.....	1

## FOLLOWING NOT SHOWN:

	093-090587	. 90° Male Elbow.....	1
	135-069898	. 90° Street Elbow.....	1
Ref.	090-388448	5-Way Valve Assembly	
25	093-090942	. 45° Male Elbow.....	2
26	091-093765	. Tapered Plastic Cap/Plug.....	2
27	091-121889	. Tapered Plastic Cap/Plug.....	5
28	093-090975	. 45° Male Elbow.....	5
29	091-211854	. Gasket.....	1
30	091-338764	. Washer.....	2
31	091-385864	. Screw, Soc. Set 1/4-28NF x 1 (Full Dog Pt.).....	1
32	090-117033	. Cap Nut.....	1
33	091-982397	. Screw, Soc. Hd. Cap 1/4-20NC x 3/4.....	8
34	091-211862	. End Cap.....	1
35	094-007648	. Valve Body.....	1
36	094-018801	. Valve Spool.....	1
37	091-991208	. Nut, Hex. Jam 1/4-28NF.....	3
38	091-203695	. Pipe Plug.....	2
39	091-068742	. End Cap.....	1
40	090-015124	. O-Ring.....	1
41	091-211847	. Plunger.....	1
42	135-095214	. O-Ring.....	1



MODEL	FIRST MACH.	LAST MACH.
C-80	190-72197	190-77988

HYDRAULIC ASSEMBLY

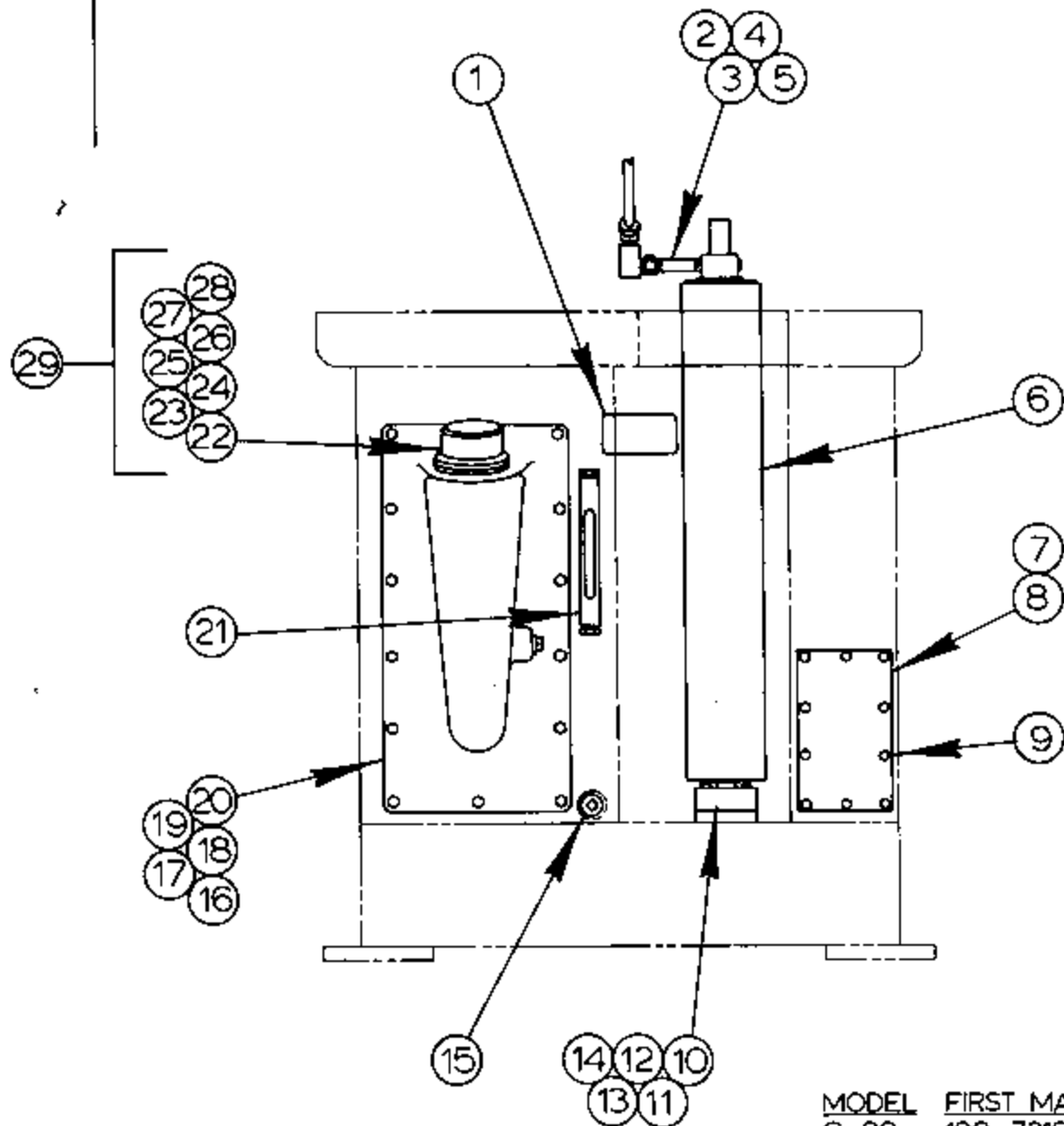
## HYDRAULIC ASSEMBLY

INDEX NO.	CATALOG NO.	DESCRIPTION	UNITS PER ASS'Y
Ref.	095-012118	Hydraulic Assembly	
1	090-167073	. Flexible Hose 3" I.D.....	A.R.
2	090-110024	. Hose Clamp.....	2
3	091-292607	. Hydraulic Hose.....	1
4	090-015462	. 45° Street Elbow.....	1
5	093-090942	. 45° Male Elbow.....	1
6	135-024561	. Hex. Reducer Bushing.....	1
7	093-090546	. 90° Male Elbow.....	4
8	091-626671	. Spacer.....	7
9	091-292664	. Coupling.....	7
10	091-971390	. Nylon Tubing 1/2 O.D.....	A.R.
11	093-090157	. Male Connector.....	1
12	091-032938	. Check Valve.....	1
13	114-035074	. Close Nipple.....	1
14	090-147141	. Pipe Tee.....	1
15	135-023430	. Pipe Nipple.....	1
16	093-090975	. 45° Male Elbow.....	1
17	093-090579	. 90° Male Elbow.....	6
18	093-090546	. 90° Male Elbow.....	1
19	117-135210	. 90° Street Elbow.....	1
20	091-971382	. Nylon Tubing 3/8 O.D.....	A.R.
21	090-096710	. Tubing Clamp.....	3
22	091-988675	. Screw, RD. HD. MACH. #10-24NC x 3/8.....	3
23	091-993196	. Washer, Lock #10 Std.....	3
24	091-971309	. Steel Tubing 3/8 O.D.....	A.R.
25	091-971499	. Plastic Tubing 3/8 I.D. (Clear).....	A.R.
26	135-008472	. Service Tee.....	1
27	093-090108	. Male Connector.....	3
28	091-227488	. Pipe Plug.....	2
29	091-211896	. Strainer.....	1
30	091-220640	. Hose 1-3/8 O.D.....	1
31	135-065761	. 90° Pipe Elbow.....	1
32	091-024885	. Barbed Insert.....	1
33	091-220632	. Spring.....	1
34	091-220665	. Hose Clamp.....	2
35	090-104464	. Pipe Cap.....	1
36	090-081571	. Hydraulic Hose.....	1
37	090-031774	. Swivel Adaptor Union.....	1
38	091-971069	. Extruded Neuprene Channel.....	A.R.
*39	093-052876	. Speed Change Cylinder Assembly (See Detail).....	1
40	091-045765	. Stud.....	1
41	091-991323	. Nut, Hex. Jam 1/2 - 13NC.....	2
42	091-992667	. Washer, Flat 1/2 S.A.E. Std.....	2
43	090-046152	. Spacer.....	1
44	091-971374	. Nylon Tubing 1/4 O.D.....	A.R.
45	091-224469	. Collar Weldment.....	1

\*NOTE: Item #39 was 090-301904 Before Serial # 190-76862.

REVISED AND  
REDRAWN

S.C.L. 6-16-82



<u>MODEL</u>	<u>FIRST MACH.</u>	<u>LAST MACH.</u>
C-80	190-72197	190-77988
C-81	342-74101	342-77121
C-82	343-74101	343-76107

### HYDRAULIC ASSEMBLY

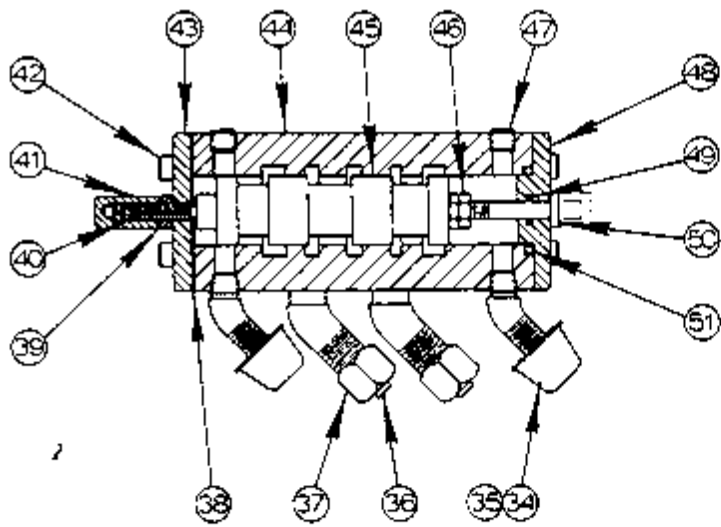
## HYDRAULIC ASSEMBLY

INDEX NO.	PART NO.	DESCRIPTION	UNITS PER ASS'Y
Ref.	095-012118	Hydraulic Assembly (0" to 24" Index) (C-80)	
Ref.	095-021242	Hydraulic Assembly (6 Foot Index) (C-80, C-81)	
Ref.	095-035937	Hydraulic Assembly (12 Foot Index) (C-80, C-82)	
1	091-160739	. Escutcheon (Hydraulic Fluid Specs.).....	1
2	135-009850	. Pipe Nipple.....	1
3	093-090801	. 90° Female Elbow.....	1
4	094-029279	. Hood.....	1
5	091-984252	. Screw, Soc. Set 1/4-20NC x 1/2.....	1
** 6	094-029303	. Head Lift Cylinder Assembly (See Detail).....	1
7	091-290965	. Cover Plate.....	1
8	091-290973	. Gasket.....	1
9	091-980060	. Screw, Hex. Hd. Cap 1/4-20NC x 1/2.....	10
10	091-211920	. Pin.....	1
11	091-984245	. Screw, Soc. Set 1/4-20NC x 3/8.....	1
12	091-982801	. Screw, Soc. Hd. Cap 3/8-16NC x 1-3/4.....	2
13	091-993329	. Washer, Lock 3/8 Std.....	2
14	090-385667	. Lug.....	1
15	090-112657	. Sq. Hd. Pipe Plug.....	1
16	090-528613	. Oil Filler Plate.....	1
17	090-123043	. Gasket.....	1
18	106-335185	. Sq. Hd. Pipe Plug.....	1
19	091-980078	. Screw, Hex. Hd. Cap 1/4-20NC x 5/8.....	14
20	091-992933	. Washer, Flat 1/4 Brass.....	24
21	091-086546	. View Gauge.....	1
*22	091-022855	. Adaptor and Screen Assembly.....	1
*23	091-055905	. Gasket.....	2
*24	091-994202	. Screw Rd. Hd. Sheet Metal #10 x 1/2.....	6
*25	090-138553	. Filler Neck.....	1
*26	090-138561	. Filler Cap.....	1
*27	091-984681	. Screw, Rd. Hd. Self-Tap #8 x 1/2.....	1
*28	091-993717	. Washer, Lock #8 Shakeproof Ext.....	1
*29	091-366476	. Combination Filler-Breather.....	1

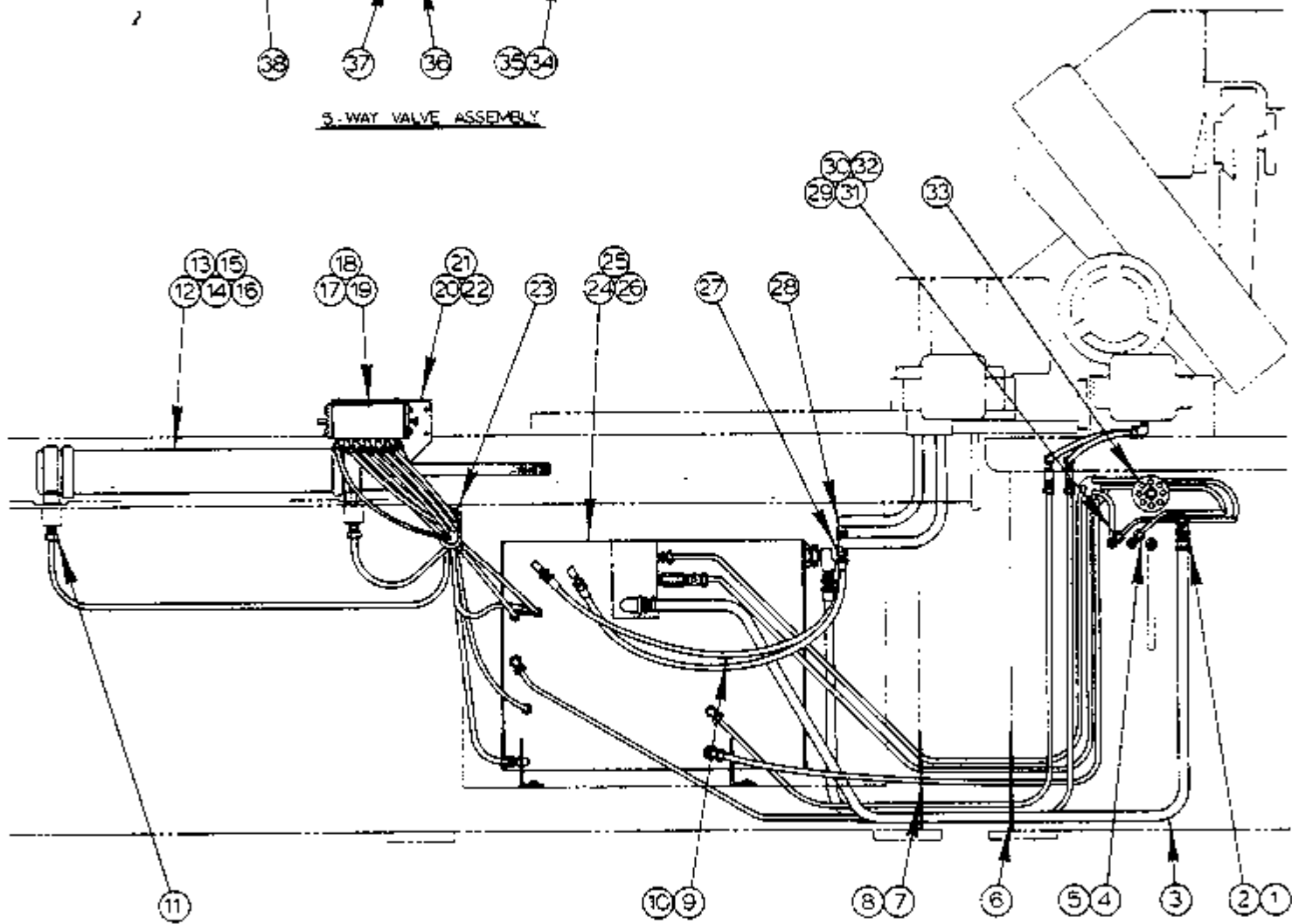
\*NOTE: Item #29 Replaces Items #22 thru #28 After Serial #190-76885 On C-80, 342-76115 on C-81 Only.

\*\*NOTE: Item #6 Was 094-019502 Before Serial #190-72197 On C-80 Only.

REVISED AND
REDRAWN
BY: 6-18-82



5-WAY VALVE ASSEMBLY



HYDRAULIC ASSEMBLY

MODEL	FIRST MACH	LAST MACH
C-80	190-72197	190-77988
C-1216A	373-77101	373-83922
CE-1216A	387-7701	387-83174

## HYDRAULIC ASSEMBLY

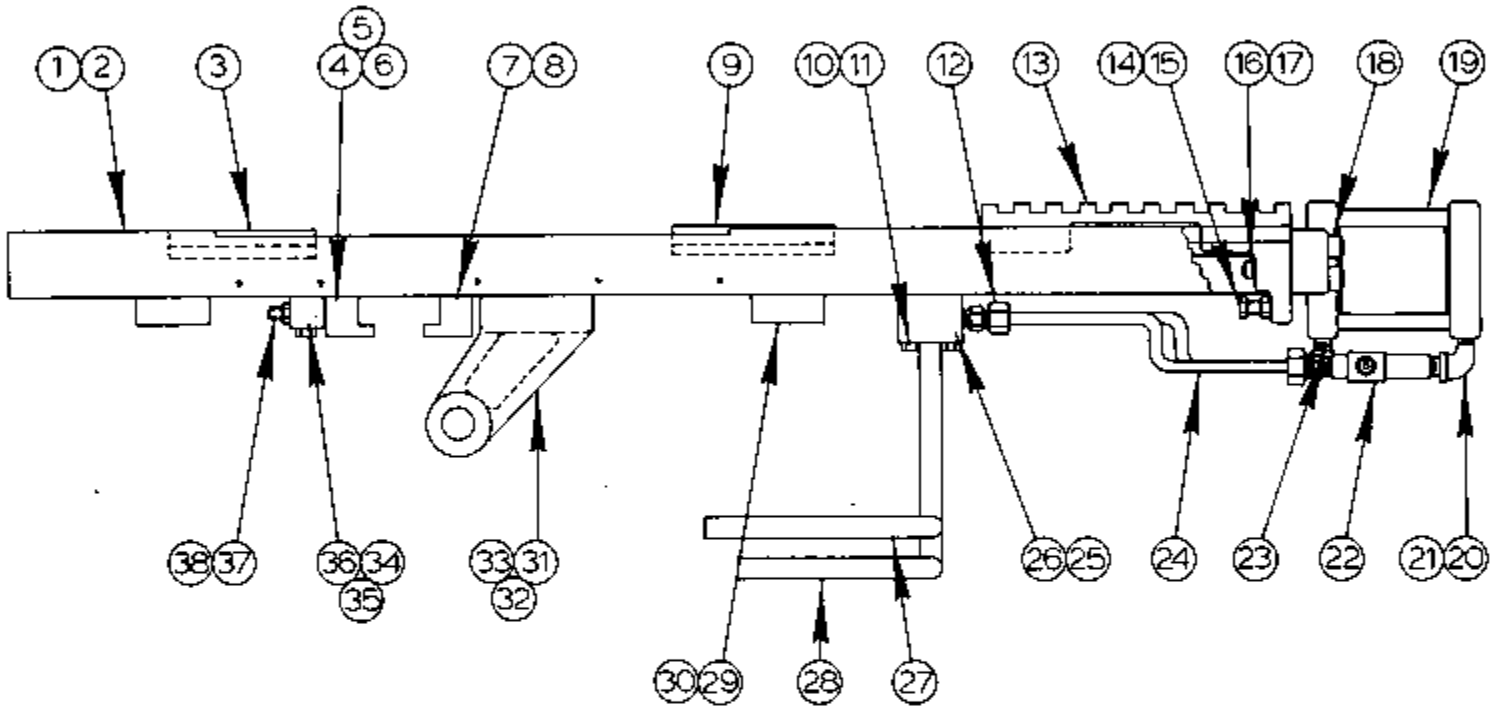
INDEX NO.	PART NO.	DESCRIPTION	UNITS PER ASS'Y
Ref.	095-012118	Hydraulic Assembly (C-80)	
Ref.	095-056552	Hydraulic Assembly (C-1216A)	
Ref.	095-063889	Hydraulic Assembly (CE-1216A)	
1	091-010454	. 90° Reducing Elbow.....	1
2	091-209049	. Barbed Insert.....	1
3	091-971093	. Hose 5/8 I.D.....	A.R.
4	093-090058	. Male Connector.....	3
5	135-005197	. 90° Elbow.....	2
6	091-972372	. Grommet Strip 3/16".....	A.R.
7	091-972364	. Grommet Strip 1/8".....	A.R.
8	091-353151	. Adhesive (Sealant Silicate) (C-1216A, CE-1216A Only).....	A.R.
9	090-081514	. Swivel Adaptor Union.....	2
10	091-127985	. Hydraulic Hose.....	2
11	093-090124	. Male Connector.....	2
12	090-542457	. Feed Table Cylinder Assembly (C-80) (See Detail).....	1
	*095-067313	. Feed Table Cylinder Assembly (C-1216A, CE-1216A) (See Detail).....	1
13	135-087278	. O-Ring.....	2
14	091-983718	. Screw, Soc. Hd. Cap 3/8-16NC x 1.....	4
15	090-051500	. Washer, Lock 3/8 HI-Collar.....	4
16	090-132820	. Dowel Pin.....	2
17	090-388448	. 5-Way Valve Assembly (See Detail).....	1
18	091-980292	. Screw, Hex. Hd. Cap 5/16-18NC x 1.....	4
19	091-993758	. Washer, Lock 5/16 Shakeproof Ext.....	4
20	090-388612	. Mounting Plate.....	1
21	091-982413	. Screw, Soc. Hd. Cap 1/4-20NC x 7/8.....	4
22	091-165084	. Dowel Pin.....	4
23	090-128331	. Grommet.....	1
24	095-012084	. Valve Panel Assembly (C-80) (See Detail).....	1
		. Valve Panel Assembly (C-1216A, CE-1216A) (See Detail).....	1
25	091-980060	. Screw, Hex. Hd. Cap 1/4-20NC x 1/2.....	6
26	091-993741	. Washer, Lock 1/4 Shakeproof Ext.....	10
27	090-097567	. Pipe Coupling (C-1216A, CE-1216A Only).....	1
28	091-050534	. 90° Street Elbow.....	2
29	135-024743	. Pipe Tee.....	1
30	090-020041	. Barbed Insert.....	4
31	091-970962	. Hose 5/8 O.D.....	A.R.
32	091-212886	. Hose Clamp.....	5
33	105-115109	. Breather.....	1

## FOLLOWING NOT SHOWN:

091-076372	. Cable Tie.....	A.R.
105-046122	. Sq. Hd. Pipe Plug (C-1216A, CE-1216A Only).....	1

NOTE: 095-037313 Was 090-542457 Feed Table Cylinder Assembly Before Serial # 190-78226  
On C-1216A And #387-78108 on CE-1216A.

Ref.	090-388448	5-Way Valve Assembly	
34	093-090942	. 45° Male Elbow.....	2
35	091-093765	. Tapered Plastic Cap/Plug.....	2
36	091-121889	. Tapered Plastic Cap/Plug.....	5
37	093-090975	. 45° Male Elbow.....	5
38	091-211854	. Gasket.....	1
39	091-338764	. Washer.....	2
40	091-385864	. Screw, Soc. Set 1/4-28NF x 1 (Full Dog Pt.).....	1
41	090-117033	. Cap Nut.....	1
42	091-982397	. Screw, Soc. Hd. Cap 1/4-20NC x 3/4.....	8
43	091-211862	. End Cap.....	1
44	094-007648	. Valve Body.....	1
45	094-018801	. Valve Spool.....	1
46	091-991208	. Nut, Hex. Jam 1/4-28NF.....	3
47	091-203695	. Pipe Plug.....	2
48	091-068742	. End Cap.....	1
49	090-015124	. O-Ring.....	1
50	091-211847	. Plunger.....	1
51	135-095214	. O-Ring.....	1



MODEL	FIRST MACH	LAST MACH
C-80	190-70101	190-71168

INDEX VISE SUB-ASSEMBLY  
(0" TO 24" INDEX)

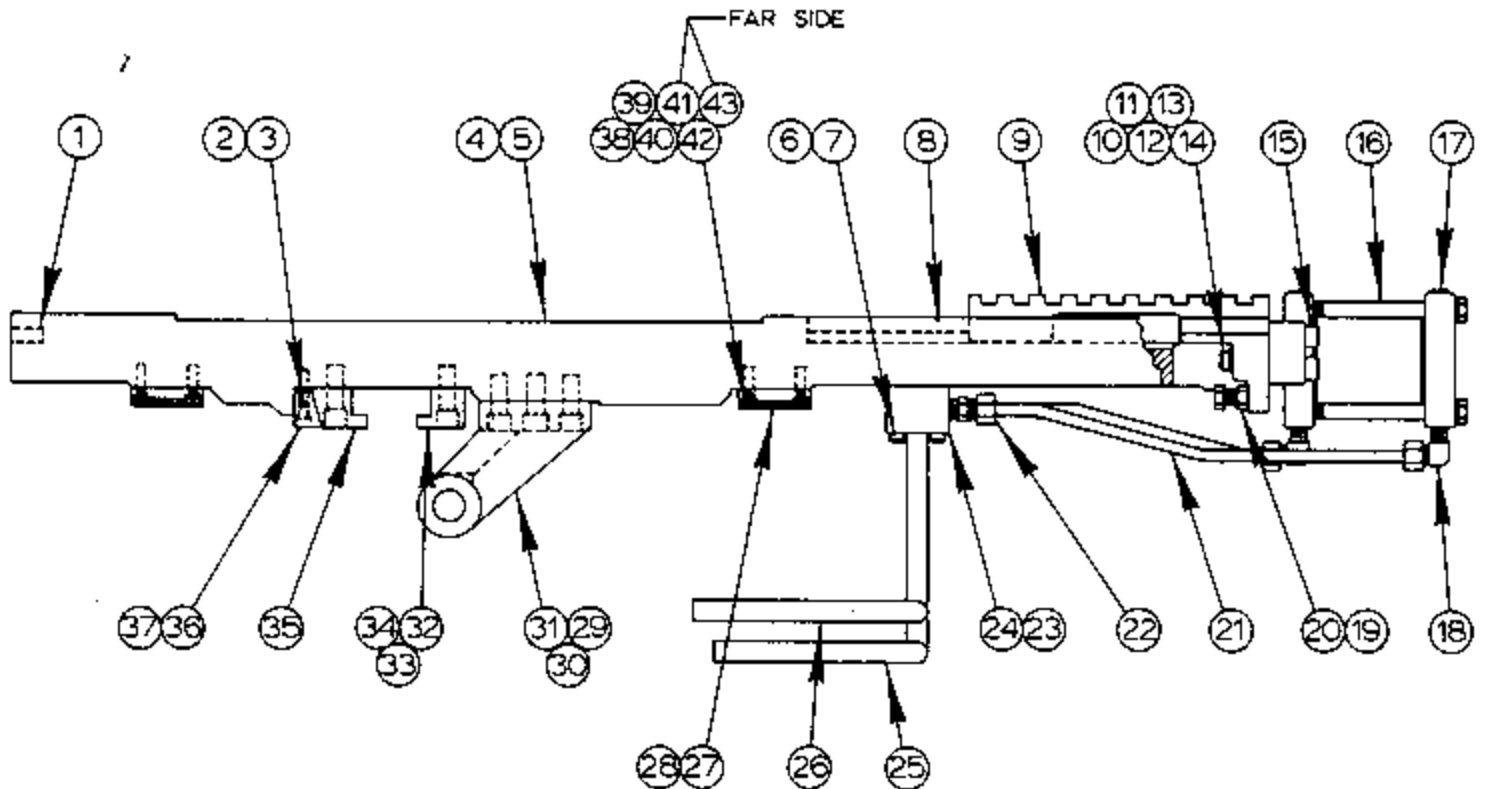
INDEX VISE SUB-ASSEMBLY

INDEX NO.	CATALOG NO.	DESCRIPTION	UNITS PER ASS'Y.
Ref.	095-000634	Index Vise Sub-Assembly (0" to 24" Index)	
1	090-589383	. Vise Base .....	1
2	090-087909	. 90° Lube Fitting .....	4
3	091-034793	. Key .....	1
4	090-249012	. Guide Bar .....	1
5	091-982819	. Screw, Soc. Hd. Cap 3/8-16NC x 1-1/2 .....	3
6	091-993329	. Washer, Lock 3/8 Std. ....	3
7	090-243221	. Guide Bar .....	1
8	091-093641	. Dowel Pin .....	2
9	091-244665	. Key .....	1
10	091-980334	. Screw, Hex. Hd. Cap 5/16-18NC x 2 .....	2
11	091-993238	. Washer, Lock 5/16 Std. ....	2
12	135-035210	. Male Connector .....	3
13	090-369067	. Rack .....	1
14	091-991273	. Nut, Hex. Jam 3/8-16NC .....	4
15	091-980474	. Screw, Hex. Hd. Cap 3/8-16NC x 1-1/4 .....	1
16	091-213827	. Screw, Soc. Hd. Shoulder (3/8 Dia. x 1-1/4) ....	1
17	091-992644	. Washer, Flat 3/8 S.A.E. Std. ....	1
18	091-982967	. Screw, Soc. Hd. Cap 1/2-13NC x 1-3/4 .....	4
19	094-005527	. Index Vise Clamp Cylinder Assembly (See Detail) ..	1
20	114-035074	. Close Nipple .....	1
21	117-135210	. 90° Street Elbow .....	1
22	090-110081	. Restrictor Valve .....	1
23	135-035228	. 90° Male Elbow .....	1
24	091-971382	. Nylon Tubing 3/8 O.D. ....	A.R.
25	090-388273	. Manifold Assembly .....	1
26	090-385998	. . Manifold .....	1
27	090-385972	. . Tube .....	1
28	090-385980	. . Tube .....	1
29	090-105768	. Slide Bar .....	2
30	091-982603	. Screw, Soc. Hd. Cap 5/16-18NC x 1 .....	8
31	090-450495	. Bracket .....	1
32	090-075003	. Dowel Pin .....	1
33	091-982959	. Screw, Soc. Hd. Cap 1/2-13NC x 1-1/2 .....	6
34	090-249020	. Adjusting Block .....	1
35	091-980490	. Screw, Hex. Hd. Cap 3/8-16NC x 1-3/4 .....	3
36	135-004455	. Dowel Pin .....	2
37	091-385831	. Screw, Soc. Set 3/8-16NC x 1 (Flat Point) .....	4
38	091-991273	. Nut, Hex. Jam 3/8-16NC .....	4

REVISED AND  
REDRAWN

S.C.L. 2-24-82

S.C.L. 5-8-82



<u>MODEL</u>	<u>FIRST MACH</u>	<u>LAST MACH</u>
C-80	190-71169	190-77988
C-1216A	373-77101	373-83822
CE-1216A	387-77101	387-83174

INDEX VISE SUB-ASSEMBLY  
(0" TO 24" INDEX)

## INDEX VISE SUB-ASSEMBLY

INDEX NO.	CATALOG NO.	DESCRIPTION	UNITS PER
Ref.	095-014353	Index Vise Sub-Assembly (0" to 24" Index) (C-80)	
Ref.	091-567925	Index Vise Sub-Assembly (0" to 24" Index) (C-1216A, CE-1216A)	
1	091-398024	. Plug .....	1
2	091-140913	. Screw, Soc. Hd. Cap 5/16-18NC x 5/8 (Self-Locking) .....	2
3	091-289496	. Plug .....	2
4	095-013894	. Vise Base .....	1
5	090-087909	. 90° Lube Fitting .....	4
6	091-982645	. Screw, Soc. Hd. Cap 5/16-18NC x 2 .....	2
7	091-993238	. Washer, Lock 5/16 Std. ....	2
8	091-244665	. Key .....	1
9	094-058666	. Rack .....	1
10	091-213827	. Screw, Soc. Hd. Shoulder (3/8 Dia. x 1-1/4) .....	1
11	091-992644	. Washer, Flat 3/8 S.A.E. Std. ....	1
12	106-043110	. Spacer (.005) .....	A.R.
13	106-043128	. Spacer (.025) .....	A.R.
14	091-318089	. Loctite ("HV") .....	A.R.
15	091-982967	. Screw, Soc. Hd. Cap 1/2-13NC x 1-3/4 .....	4
16	094-005527	. Index Vise Clamp Cylinder Assembly (See Detail) .....	1
17	091-227488	. Pipe Plug .....	2
18	093-090579	. 90° Male Elbow .....	2
19	091-980474	. Screw, Hex. Hd. Cap 3/8-16NC x 1-1/4 .....	1
20	091-991273	. Nut, Hex. Jam 3/8-16NC .....	1
21	091-971382	. Nylon Tubing 3/8 O.D. ....	A.R.
22	093-090108	. Male Connector .....	2
23	090-388273	. Manifold Assembly .....	1
*24	093-016954	. . Manifold .....	1
25	090-385980	. . Tube .....	1
26	090-385972	. . Tube .....	1
27	093-016590	. Slide Bar .....	2
28	091-982603	. Screw, Soc. Hd. Cap 5/16-18NC x 1 .....	8
**29	094-082252	. Lug .....	1
30	091-982942	. Screw, Soc. Hd. Cap 1/2-13NC x 1-1/4 .....	5
31	090-075003	. Dowel Pin .....	2
32	090-243221	. Guide Bar .....	1
33	091-982959	. Screw, Soc. Hd. Cap 5/16-18NC x 1-1/2 .....	5
34	091-093641	. Dowel Pin .....	2
35	093-003887	. Guide Bar .....	1
36	093-003895	. Gib .....	1
37	091-249128	. Screw, Soc. Hd. Cap 5/16-18NC x 1-1/2 (Nylok) .....	3
***38	091-988535	. Screw, Rd. Hd. Mach. #8-32NC x 3/8 .....	8
***39	091-993717	. Washer, Lock #8 Shakeproof Ext. ....	8
***40	091-289892	. Way Scraper .....	2
***41	091-289884	. Way Scraper (Far Side) .....	2
***42	091-289918	. Back-Up Bar .....	2
***43	091-289900	. Back-Up Bar (Far Side) .....	2

\*NOTE: Item #24 was 090-385998 Manifold Before Serial #190-72219 on C-80.

\*\*NOTE: Item #29 was 094-030798 Lug before Serial #373-78234 on C-1216A, Serial #387-78110 on CE-1216A, and all C-80 with Serial Numbers Listed.

\*\*\*NOTE: Items #38 thru #43 Used After Serial #373-82748 on C-1216A and 387-82166 on CE-1216A Only.



JOB SELECTOR ASSEMBLY (1" BAND)

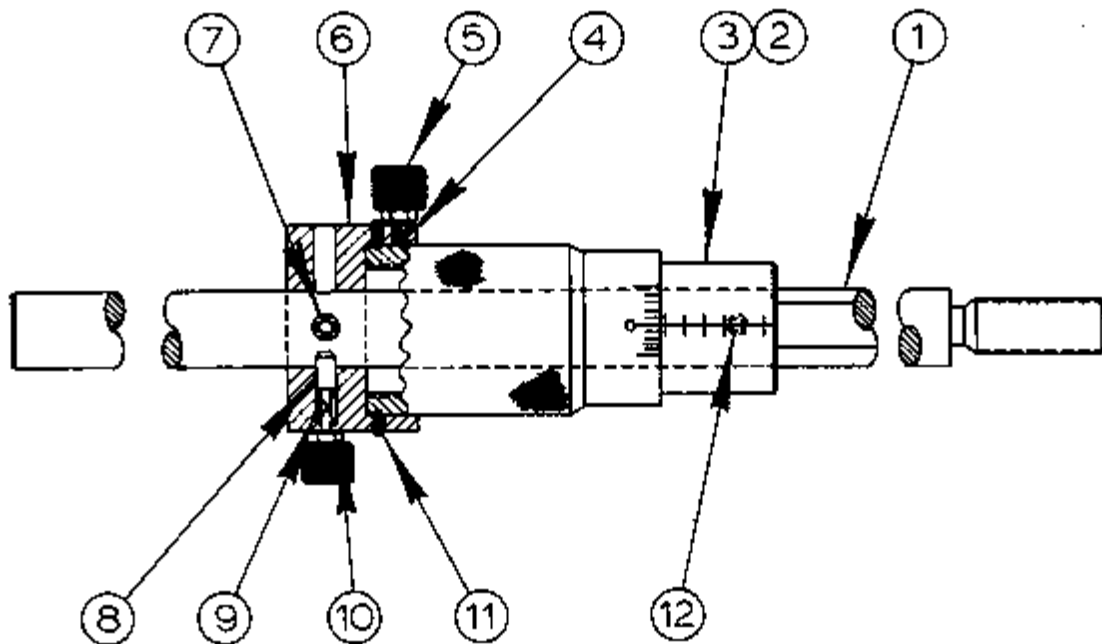
INDEX NO.	PART NO.	DESCRIPTION	UNITS PER ASS'Y
Ref.	094-033370	Job Selector Assembly (C-12, C-67, C-68, C-69, C-70, C-167A, C-168A, C-169, C-170, C-270)	
Ref.	094-040789	Job Selector Assembly (English) (See List Below For Models)	
Ref.	094-070752	Job Selector Assembly (Metric/International) (See List Below For Models)	
1	090-426727	. Job Selector Frame.....	1
2	091-988907	. Screw, Rd. Hd. Mach. 1/4-20NC x 1/4.....	4
3	091-992602	. Washer, Flat 1/4 S.A.E. Std. (Ass'y 094-033370 only)....	4
4	094-031184	. Job Selector Plate (Ass'y. 094-033370).....	1
	*094-015096	. Job Selector Plate (English).....	1
	090-478086	. Job Selector Plate (Metric/International).....	1
5	090-044496	. Acorn Nut 5/16-18NC.....	1
6	090-027012	. Bushing.....	1
7	090-455767	. Job Selector Dial (Ass'y. 094-033370).....	1
	*094-015088	. Job Selector Dial (English).....	1
	090-478090	. Job Selector Dial (Metric/International).....	1
8	134-144039	. Knob.....	1
9	106-143043	. Outer Edge Felt.....	4
10	091-992628	. Washer, Flat 5/16 S.A.E. Std. (Ass'ys. 094-040789, 090-040752).....	3
11	091-980276	. Screw, Hex. Hd. Cap 5/16-18NC x 3/4 (Ass'y. 094-033370).	1
	091-980300	. Screw, Hex. Hd. Cap 5/16-18NC x 1-1/4 (Ass'ys. 094-040789, 094-070752).....	1

\*NOTE: 094-015096 Was 094-031184 Job Selector Plate And 094-015088 Was 090-455767 Job Selector Dial Before Serial #300-72119 On C-79, Serial #302-73106 On C-180.

NOTE: Models that use 094-040789, 094-070752: C-79, C-80, C-81, C-82, C-179, C-180, C-1213M, CE-1213M, C-1213A, CE-1213A, C-1216M, CE-1216M, C-1216A, CE-1216A, CT-1216A, CT-1216M, C-1216A-6, C-1216A-12.

REVISED AND  
REDRAWN

S.C.L. 2-25-82

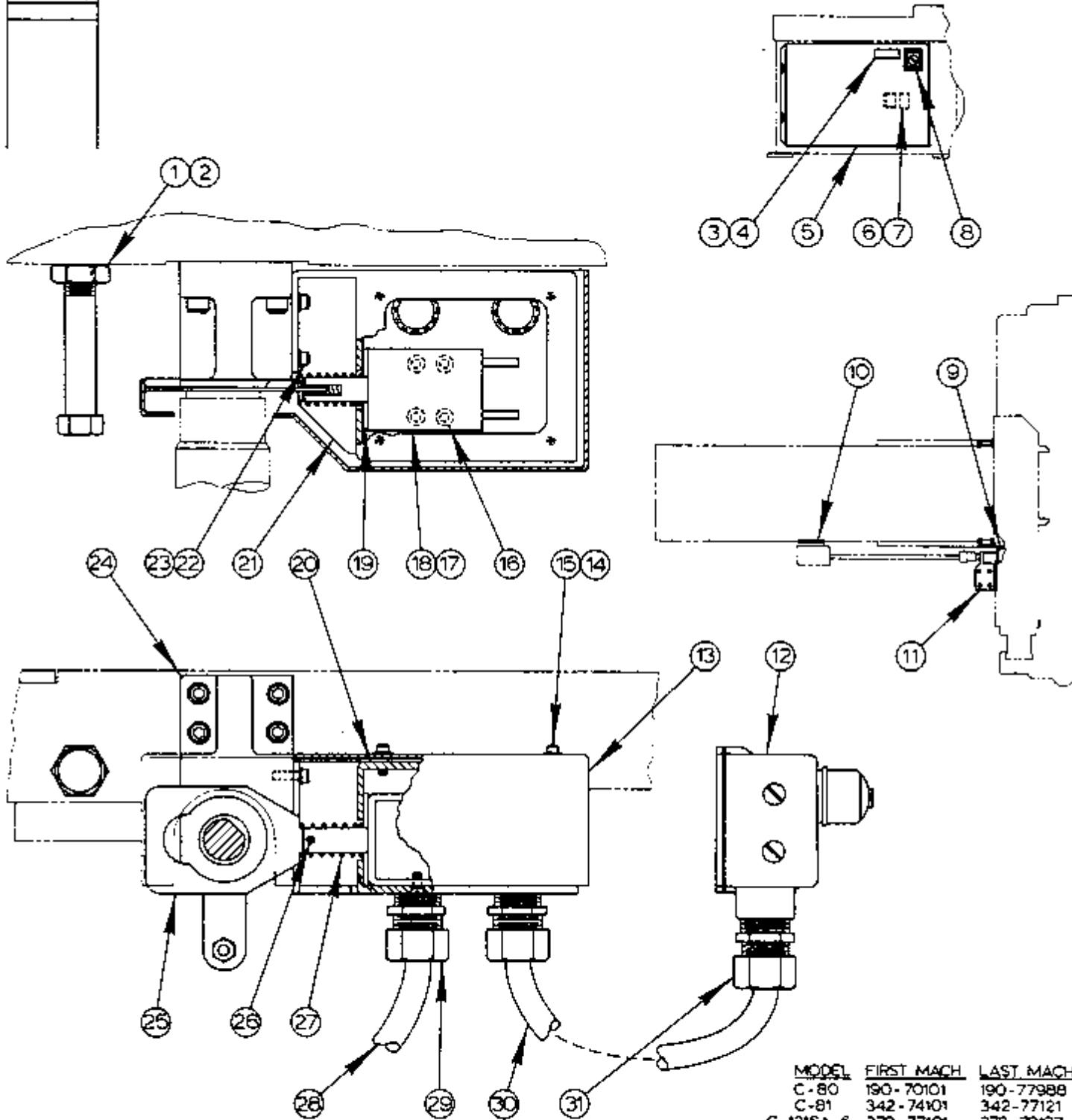


<u>MODEL</u>	<u>FIRST MACH</u>	<u>LAST MACH</u>
TF-18A	322-73114	322-78155
C-80	190-70101	190-77988
C-81	342-74101	342-77121
C-82	343-74101	343-76107
C-1216A-6	378-77101	378-79107
C-1216A	373-79402	373-83822

## MICROMETER ASSEMBLY

MICROMETER ASSEMBLY

INDEX NO.	CATALOG NO.	DESCRIPTION	UNITS PER ASS'Y.
Ref.	090-385964	Micrometer Assembly (0" - 24" Index) (C-80)	
Ref.	093-009058	Micrometer Assembly (0 - 620mm Index) (C-80)	
Ref.	090-399684	Micrometer Assembly (6' and 12' Index) (TF-18A, C-80, C-81, C-82, C-1216A-6, C-1216A)	
Ref.	093-049179	Micrometer Assembly (0 - 1820mm Index) (TF-18A, C-80, C-81, C-82, C-1216A-6, C-1216A)	
1	094-017472	. Rod (0" - 24" Index) .....	1
	094-034782	. Rod (0 - 620mm Index) .....	1
	094-032059	. Rod (6' and 12' Index) .....	1
	094-076114	. Rod (0 - 1820mm Index) .....	1
2	093-063337	. Micrometer Sub-Assembly (Inch) .....	1
	093-063345	. Micrometer Sub-Assembly (Metric) .....	1
3	090-385949	. . Sleeve Assembly (Inch) .....	1
	093-009041	. . Sleeve Assembly (Metric) .....	1
4	091-985846	. . Screw, Soc. Set #8-32NC x 1/2 (Flat Pt.) .....	1
5	091-307223	. . Knob .....	2
6	091-307249	. . Retainer .....	1
7	091-211664	. . Screw, Soc. Set 1/4-20NC x 5/8 (Dog Pt.) ...	1
8	091-307231	. . Locating Pin .....	1
9	091-002907	. . Spring .....	1
10	091-991091	. . Nut, Hex. Jam #8-32NC .....	2
11	091-211680	. . Screw, Soc. Set #6-32NC x 1/4 (Nylac, Cone Pt.)	3
12	091-171652	. . Screw, Soc. Set 1/4-20NC x 5/16 (Nylac, Half Dog Pt.) .....	1



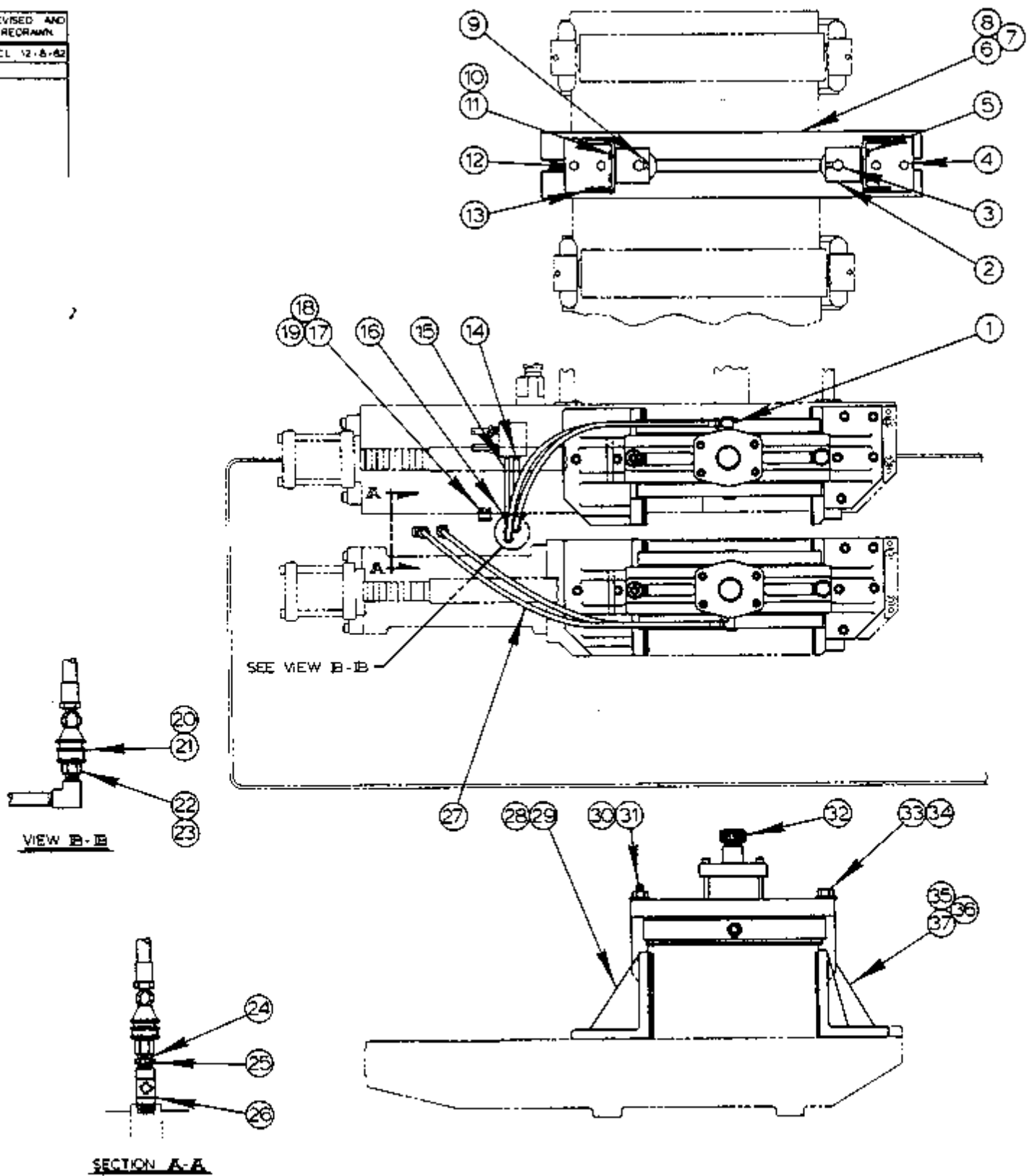
MODEL	FIRST MACH	LAST MACH
C-80	190-70101	190-77988
C-81	342-74101	342-77121
C-1216A-6	378-77101	378-79107
C-1216A	373-77101	373-83822
CE-1216A	387-77101	387-83174

MULTIPLE INDEX ASSEMBLY  
 (0"-24" & 6" INDEX FEED TABLES)

## MULTIPLE INDEX ASSEMBLY

INDEX NO.	PART NO.	DESCRIPTION	UNITS PER ASS'Y
Ref.	085-008621	Multiple Index Assembly (0"-24" Index) (C-80)	
Ref.	085-045995	Multiple Index Assembly (6' Index) (C-80, C-81, C-1216A-6, C-1216A)	
Ref.	085-063287	Multiple Index Assembly (0"-24" Index) (C-1216A)	
Ref.	085-071678	Multiple Index Assembly (0"-24" Index) (CE-1216A)	
1	091-980748	. Screw, Hex. Hd. Cap 1/2-13NC x 3-1/2 (0"-24" Index Only).....	2
2	091-991323	. Nut, Hex. Jam 1/2-13NC (0"-24" Index Only).....	2
3	091-224816	. Escutcheon (English) (C-80, C-81 Only).....	1
	091-310672	. Escutcheon (International) (C-80, C-81 Only).....	1
	091-339564	. Legend Plate (English) (C-1216A, CE-1216A, C-1216A-6 Only).....	1
	091-339572	. Legend Plate (International) (C-1216A, CE-1216A, C-1216A-6 Only).....	1
4	091-993972	. Screw, Rd. Hd. Drive #2 x 1/4.....	4
5	094-026440	. Door Assembly.....	1
6	091-190512	. Relay.....	1
7	091-196097	. Timer.....	1
8	091-256701	. Counter Sub-Assembly (60 Hz).....	1
	091-492033	. Counter Sub-Assembly (50 Hz).....	1
9	091-300368	. Spacer (6' Index Only).....	1
10	091-298653	. Spacer (6' Index Only).....	1
11	094-039401	. Multiple Index Sub-Assembly (0"-24" Index) (C-80).....	1
	094-077880	. Kerf Compensator Sub-Assembly (6' Index) (C-80, C-81, C-1216A-6, C-1216A; 0"-24" Index - C-1216A).....	1
	094-089398	. Kerf Compensator Sub-Assembly (110 V, CE-1216A).....	1
	094-089380	. Kerf Compensator Sub-Assembly (220 V, CE-1216A).....	1
12	135-094886	. . Limit Switch.....	1
13	090-395526	. . Guard Weldment.....	1
14	091-982041	. . Screw, Soc. Hd. Cap #5-40NC x 3/8.....	4
15	091-992917	. . Washer, Flat #6-S Brass.....	4
16	091-987404	. . Screw, Flat Hd. Mech. #8-32NC x 1/4.....	4
17	091-227330	. . Solenoid (60 Hz).....	1
	091-315572	. . Solenoid (50 Hz).....	1
18	091-214106	. . Wire Terminal (60 Hz Only).....	2
19	091-227728	. . Gasket.....	1
20	091-227710	. . Gasket.....	1
21	094-024221	. . Housing Weldment.....	1
22	091-982116	. . Screw, Soc. Hd. Cap #8-32NC x 1/2.....	3
23	091-993188	. . Washer, Lock #8 Std.....	3
24	094-024163	. . Bracket (C-80, C-81).....	1
	094-077898	. . Bracket (C-1216A, CE-1216A, C-1216A-6).....	1
25	091-227439	. . Plate (C-80, C-81).....	1
	091-444315	. . Plate (C-1216A, CE-1216A, C-1216A-6).....	1
26	090-042243	. . Roll Pin.....	1
27	091-227322	. . Spring.....	1
28	091-972216	. . Connector Cord (#16-4 R/C) (C-80, C-81, C-1216A, C-1216A-6).....	A.R.
	091-972554	. . Electric Cord (#16-6 Grey) (CE-1216A).....	A.R.
29	090-107897	. . Cord Grip Connector (C-80, C-81, C-1216A, C-1216A-6, CE-1216A - 110 V).....	1
	090-158353	. . Cord Grip Connector (CE-1216A - 220 V).....	1
30	091-972158	. . Connector Cord (#16-2 R/C) (C-80, C-81, C-1216A, C-1216A-6).....	A.R.
	091-972208	. . Extension Cord (#16-3 R/C) (CE-1216A).....	A.R.
31	090-107897	. . Cord Grip Connector.....	2
FOLLOWING NOT SHOWN:			
	090-076357	. . Terminal Clip (CE-1216A Only).....	2
	091-988519	. . Screw, Rd. Hd. Mech. #8-32NC x 1/4 (CE-1216A Only).....	1
	091-338269	. . Wire Connector (CE-1216A Only).....	4

REVISED AND  
REDRAWN  
SCL 12-8-62



MODEL FIRST MACH LAST MACH  
C-80 190-70101 190-74441

NESTING FIXTURE ASSEMBLY

NESTING FIXTURE ASSEMBLY

INDEX NO.	PART NO.	DESCRIPTION	UNITS PER ASS'Y
Ref.	085-004602	Nesting Fixture Assembly	
1	105-275069	. 90° Elbow.....	6
2	090-117193	. Top Support Plate.....	2
3	090-117227	. Roller.....	2
4	091-980680	. Screw, Hex. Hd. Cap 1/2-13NC x 1-3/4.....	4
5	091-980441	. Screw, Hex. Hd. Cap 3/8-16NC x 3/4.....	12
6	090-253592	. Base Assembly.....	1
7	091-336396	. Shim (.1345).....	A.R.
8	091-336404	. Shim (.0598).....	A.R.
9	091-984484	. Screw, Soc. Set 3/8-16NC x 3/8.....	2
10	091-336826	. Spacer (.0598).....	A.R.
11	091-336834	. Spacer (.0299).....	A.R.
12	090-076944	. T-Nut.....	4
13	090-253584	. Jaw Assembly.....	2
14	114-145113	. Pipe Nipple.....	1
15	135-020089	. Pipe Nipple.....	1
16	091-289231	. Bracket.....	1
17	091-270546	. Hanger.....	1
18	091-980003	. Screw, Hex. Hd. Cap #10-24NC x 3/8.....	4
19	091-993196	. Washer, Lock #10 Std.....	4
20	091-219188	. Coupling.....	4
21	091-219311	. Dust Cap.....	4
22	091-219172	. Coupling.....	4
23	091-219329	. Dust Cap.....	4
24	114-145287	. Close Nipple.....	2
25	135-024560	. Reducer Bushing.....	2
26	091-208579	. Service Tee.....	2
27	091-224915	. Hydraulic Hose.....	4
28	093-003069	. Movable Jaw Assembly.....	2
29	091-215103	. Wear Plate Assembly.....	2
30	090-070541	. Stud 3/4-10NC x 3-1/4.....	2
31	091-016121	. Locknut 3/4-10NC.....	2
32	095-004255	. Nesting Vise Cylinder Assembly (See Detail).....	2
33	091-981118	. Screw, Hex. Hd. Cap 3/4-10NC x 2-1/2.....	2
34	091-992685	. Washer, Flat 3/4 S.A.E. Std.....	4
*35	094-037645	. Fixed Jaw.....	2
36	091-216259	. Wear Strip.....	2
37	090-150350	. Screw, Flat Hd. Mach. 1/4-20NC x 5/8.....	20

FOLLOWING NOT SHOWN:

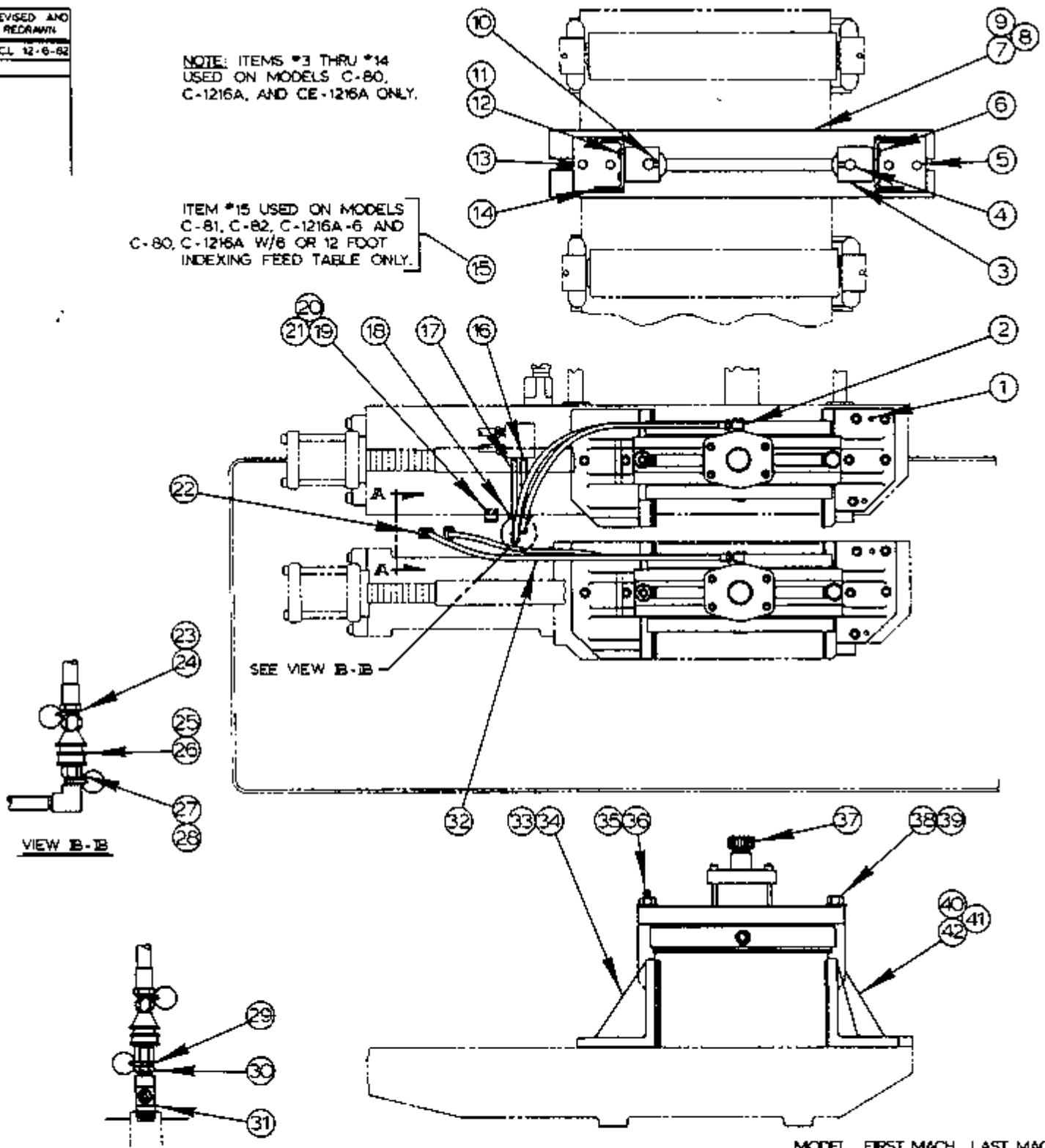
091-190512	. Relay.....	1
091-196097	. Timer.....	1

\*NOTE: Item #35 Was 094-020476 Before Serial #190-72189.

NOTE: Omit Items #2 Thru #13 If Machine Has 6' or 12' Indexing Feed Table. See 10' Conveyor Assembly (w/Vertical Rollers) Assembly #085-025856.

NOTE: ITEMS \*3 THRU \*14  
USED ON MODELS C-80,  
C-1216A, AND CE-1216A ONLY.

ITEM \*15 USED ON MODELS  
C-81, C-82, C-1216A-6 AND  
C-80, C-1216A W/6 OR 12 FOOT  
INDEXING FEED TABLE ONLY.



MODEL	FIRST MACH.	LAST MACH.
C-80	190-74442	190-77988
C-81	342-74101	342-77121
C-82	343-74101	343-76107
C-1216A-6	378-77101	378-79107
C-1216A	373-77101	373-83822
CE-1216A	387-77101	387-83174

NESTING FIXTURE ASSEMBLY

## NESTING FIXTURE ASSEMBLY

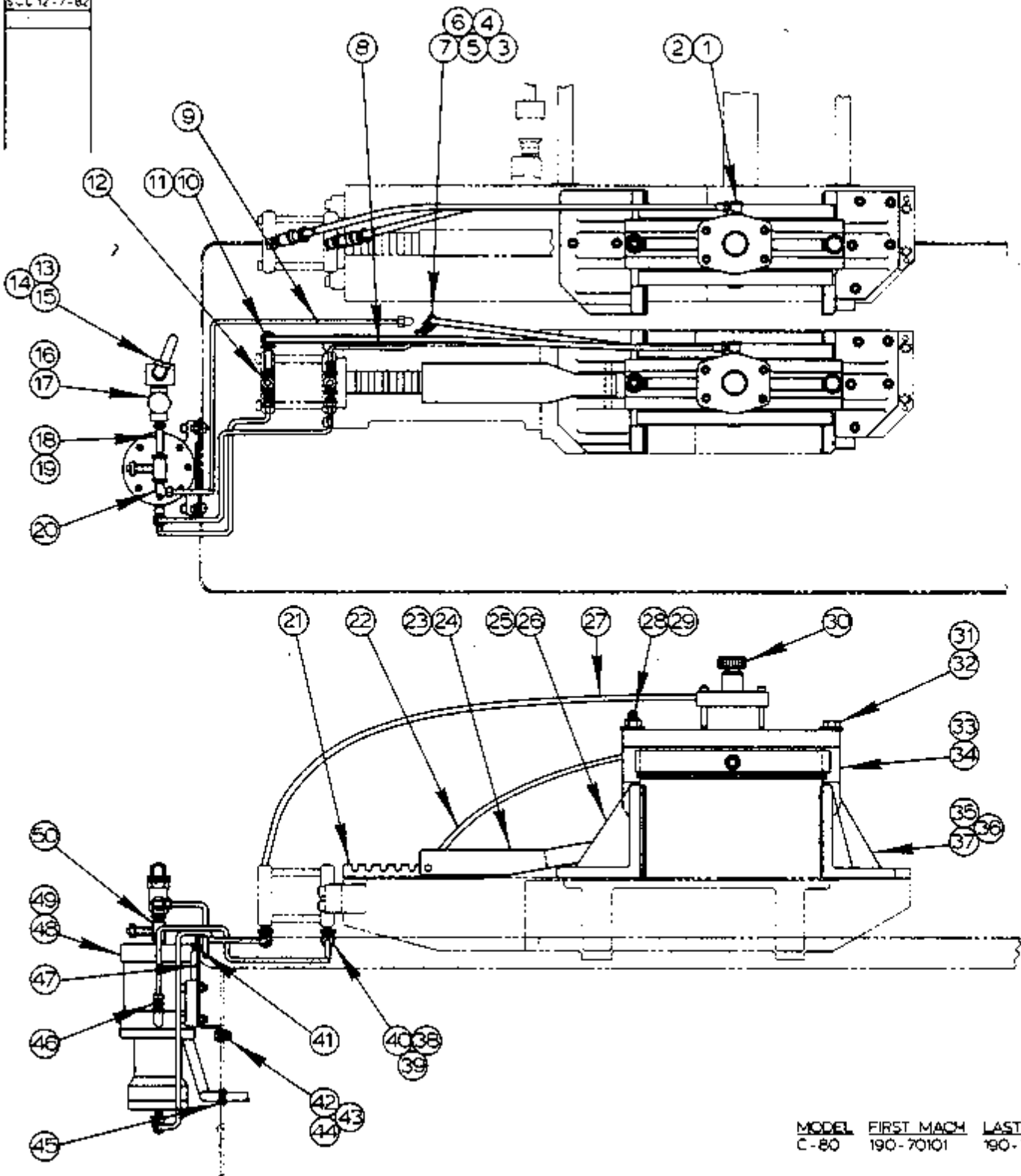
INDEX NO.	PART NO.	DESCRIPTION	UNITS PER ASS'Y
Ref.	085-033090	Nesting Fixture Assembly (C-80, C-1216A, CE-1216A)	
Ref.	085-033108	Nesting Fixture Assembly (C-81, C-82, C-1216A-6 And C-80, C-1216A W/ 6 Or 12 Foot Indexing Feed Table)	
1	135-004455	. Dowel Pin.....	4
2	105-275069	. 90° Elbow.....	6
*3	091-541797	. Top Support Plate.....	2
*4	091-584110	. Roller.....	2
5	091-980680	. Screw, Hex. Hd. Cap 1/2-13NC x 1-3/4.....	4
6	091-980441	. Screw, Hex. Hd. Cap 3/8-16NC x 3/4.....	12
7	090-253592	. Base Assembly.....	1
8	091-336396	. Shim (.1345).....	A.R.
9	091-336404	. Shim (.0598).....	A.R.
10	091-984484	. Screw, Soc. Set 3/8-16NC x 3/8.....	2
11	091-336826	. Spacer (.0598).....	A.R.
12	091-336834	. Spacer (.0299).....	A.R.
13	090-076944	. T-Nut.....	4
*14	093-113082	. Jaw Assembly.....	2
15	085-025856	. 10' Conveyor Assembly (W/Vertical Rollers) (See Detail) (See Note On Drawing).....	1
16	114-145113	. Pipe Nipple.....	1
17	135-020089	. Pipe Nipple.....	1
18	091-289231	. Bracket.....	1
19	091-270546	. Hanger.....	1
20	091-980003	. Screw, Hex. Hd. Cap #10-24NC x 3/8.....	4
21	091-993196	. Washer, Lock #10 Std.....	4
22	091-227488	. Pipe Plug (Assembly #085-033108 Only).....	2
23	091-406520	. Tag.....	4
24	091-069666	. Cable Tie.....	4
25	091-219188	. Coupling.....	4
26	091-219311	. Dust Cap.....	4
27	091-219172	. Coupling.....	4
28	091-219329	. Dust Cap.....	4
29	114-145287	. Close Nipple.....	2
30	135-024560	. Reducer Bushing.....	2
31	091-208679	. Service Tee.....	2
32	091-224915	. Hydraulic Hose.....	4
33	093-017291	. Movable Jaw Assembly.....	2
34	091-292375	. Wear Plate.....	2
35	090-070541	. Stud 3/4-10NC x 3-1/4.....	2
36	091-016121	. Locknut 3/4-10NC.....	2
37	095-004255	. Nesting Vise Cylinder Assembly (See Detail).....	2
38	091-981118	. Screw, Hex. Hd. Cap 3/4-10NC x 2-1/2.....	2
39	091-992685	. Washer, Flat 3/4 S.A.E. Std.....	4
40	094-047834	. Fixed Jaw.....	2
41	091-292367	. Wear Strip.....	2
42	091-983239	. Screw, Soc. Hd. Flat 1/4-20NC x 5/8.....	20

## FOLLOWING NOT SHOWN:

091-190512	. Relay.....	1
091-196097	. Timer.....	1

\*NOTE: Items #3, #4 And #14 Used For Rollers With 3/4" Hex. Shaft End. For Machines With 13/16" Hex. Shaft End, Order As Follows:

3	090-117193	. Top Support Plate.....	2
4	090-117227	. Roller.....	2
14	090-253584	. Jaw Assembly.....	2



MODEL	FIRST MACH	LAST MACH
C-80	190-70101	190-72220

NESTING FIXTURE ASSEMBLY  
 (HIGH PRESSURE)

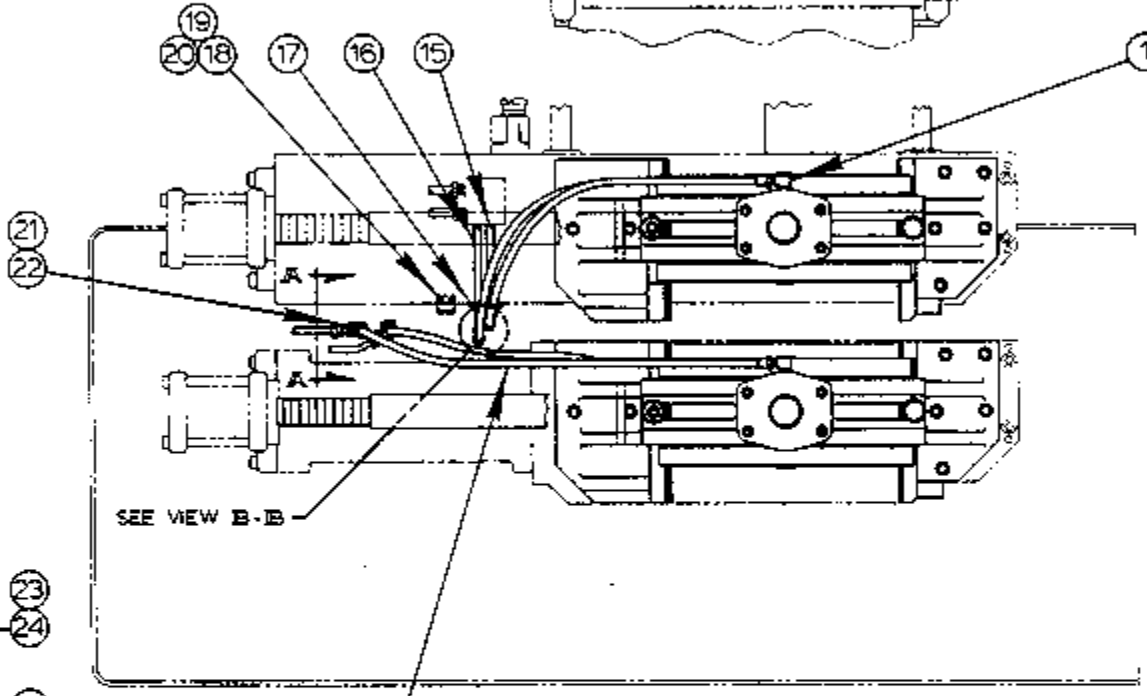
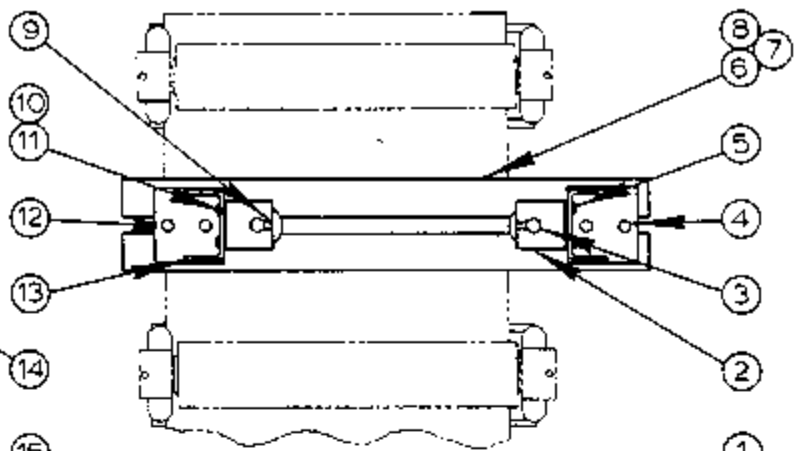
## NESTING FIXTURE ASSEMBLY

INDEX NO.	PART NO.	DESCRIPTION	UNITS PER ASS'Y
Ref.	085-004588	Nesting Fixture Assembly (High Pressure)	
1	091-230417	. 90° Elbow.....	4
2	091-059238	. Close Nipple.....	2
3	091-219188	. Coupling.....	4
4	091-219311	. Dust Cap.....	4
5	091-219172	. Coupling.....	4
6	091-219329	. Dust Cap.....	4
7	091-208579	. Service Tee.....	1
8	091-971382	. Nylon Tubing 3/8 O.D.....	A.R.
9	091-971309	. Steel Tubing 3/8 O.D.....	A.R.
10	135-024560	. Reducer Bushing.....	4
11	114-145287	. Close Nipple.....	4
12	135-005193	. 90° Elbow.....	1
13	090-145020	. 90° Connector.....	1
14	090-111121	. Connector Seal.....	2
15	091-971556	. Sealtite Conduit 3/8".....	A.R.
16	091-017350	. Solenoid Valve.....	1
17	093-090132	. Male Connector.....	1
18	135-009850	. Pipe Nipple.....	2
19	135-035061	. Reducer Bushing.....	1
20	093-090579	. 90° Male Elbow.....	1
21	090-389305	. Rack.....	1
22	091-224915	. Hydraulic Hose.....	1
23	090-390246	. Pawl Assembly (13-5/8" Long).....	1
24	090-390253	. Pawl Assembly (22-5/8" Long).....	1
25	090-392051	. Movable Jaw Assembly.....	2
26	091-215103	. Wear Plate Assembly.....	2
27	091-224907	. Hydraulic Hose.....	1
28	090-070541	. Stud 3/4-10NC x 3-1/4.....	2
29	091-016121	. Locknut 3/4-10NC.....	2
30	095-004255	. Nesting Vise Cylinder Assembly (See Detail).....	2
31	091-981118	. Screw, Hex. Hd. Cap 3/4-10NC x 2-1/2.....	2
32	091-992685	. Washer, Flat 3/4 S.A.E. Std.....	4
33	091-217943	. Spacer.....	4
34	091-982991	. Screw, Soc. Hd. Cap 1/2-13NC x 2-1/2.....	8
35	094-020476	. Fixed Jaw.....	2
36	091-216259	. Wear Strip.....	2
37	090-150350	. Screw, Flat Hd. Mach. 1/4-20NC x 5/8.....	20
38	091-155374	. Tee.....	4
39	091-059113	. Close Nipple.....	5
40	093-090108	. Male Connector.....	7
41	091-990317	. Screw, Truss. Hd. Mach. 3/8-16NC x 3/4.....	2
42	091-980466	. Screw, Hex. Hd. Cap 3/8-16NC x 1.....	2
43	091-993329	. Washer, Lock 3/8 Std.....	8
44	091-991265	. Nut, Hex. 3/8-16NC.....	8
45	090-058470	. Grommet.....	1
46	117-135210	. 90° Street Elbow.....	1
47	090-392697	. Bracket.....	1
48	090-459934	. Nesting Vise Pressure Booster Cylinder Assembly (See Detail).....	1
49	091-982819	. Screw, Soc. Hd. Cap 3/8-16NC x 1-1/2.....	4
50	091-408476	. Needle Valve.....	1

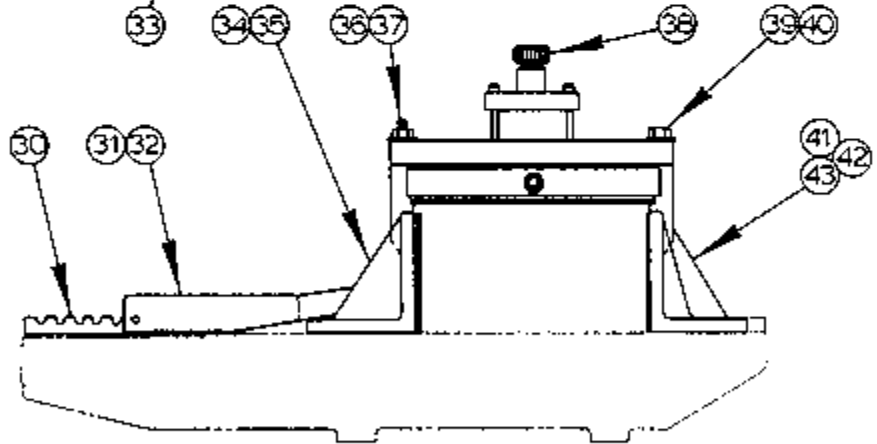
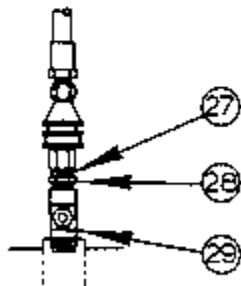
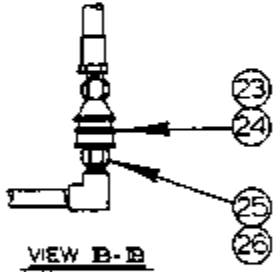
REVISED AND REDRAWN
SCL 12-B-82

NOTE: ITEMS #2 THRU #13  
USED ON MODEL C-80 ONLY

ITEM #14 USED ON MODELS  
C-81, C-82, AND C-80  
W/ 6 OR 12 FOOT INDEXING  
FEED TABLE ONLY



SEE VIEW B-B



MODEL	FIRST MACH	LAST MACH
C-80	190-72221	190-74481

NESTING FIXTURE ASSEMBLY  
( W/HIGH CLAMP FORCE )

## NESTING FIXTURE ASSEMBLY

INDEX NO.	PART NO.	DESCRIPTION	UNITS PER ASS'Y
Ref.	085-012755	Nesting Fixture Assembly (W/High Clamp Force)	
1	105-275069	. 90° Elbow.....	6
2	090-117193	. Top Support Plate.....	2
3	090-117227	. Roller.....	2
4	091-980680	. Screw, Hex. Hd. Cap 1/2-12NC x 1-3/4.....	4
5	091-980441	. Screw, Hex. Hd. Cap 3/8-16NC x 3/4.....	12
6	090-253592	. Base Assembly.....	1
7	091-336396	. Shim (.1345).....	A.R.
8	091-336404	. Shim (.0598).....	A.R.
9	091-984484	. Screw, Soc. Set 3/8-16NC x 3/8.....	2
10	091-336826	. Spacer (.0598).....	A.R.
11	091-336834	. Spacer (.0299).....	A.R.
12	090-076944	. T-Nut.....	4
13	090-253584	. Jaw Assembly.....	2
14	085-025856	. 10' Conveyor Assembly (W/Vertical Rollers) (See Detail) (See Note On Drawing).....	1
15	114-145113	. Pipe Nipple.....	1
16	135-020089	. Pipe Nipple.....	1
17	091-289231	. Bracket.....	1
18	091-270546	. Hanger.....	1
19	091-980003	. Screw, Hex. Hd. Cap #10-24NC x 3/8.....	4
20	091-993196	. Washer, Lock #10 Std.....	4
21	093-090108	. Male Connector.....	2
22	091-971309	. Steel Tubing 3/8 O.D.....	A.R.
23	091-219188	. Coupling.....	4
24	091-219311	. Dust Cap.....	4
25	091-219172	. Coupling.....	4
26	091-219329	. Dust Cap.....	4
27	114-145287	. Close Nipple.....	2
28	135-024560	. Reducer Bushing.....	2
29	091-208579	. Service Tee.....	2
30	090-389305	. Rack.....	1
31	090-390246	. Pawl Assembly (13-5/8" Long).....	1
32	090-390253	. Pawl Assembly (22-5/8" Long).....	1
33	091-224915	. Hydraulic Hose.....	4
34	093-003069	. Movable Jaw Assembly.....	2
35	091-215103	. Wear Plate Assembly.....	2
36	090-070541	. Stud 3/4-10NC x 3-1/4.....	2
37	091-016121	. Locknut 3/4-10NC.....	2
38	095-004255	. Nesting Vise Cylinder Assembly (See Detail).....	2
39	091-981118	. Screw, Hex. Hd. Cap 3/4-10NC x 2-1/2.....	2
40	091-992685	. Washer, Flat 3/4 S.A.E. Std.....	4
41	094-037645	. Fixed Jaw.....	2
42	091-216259	. Wear Strip.....	2
43	090-150350	. Screw, Flat Hd. Mach. 1/4-20NC x 5/8.....	20

## FOLLOWING NOT SHOWN:

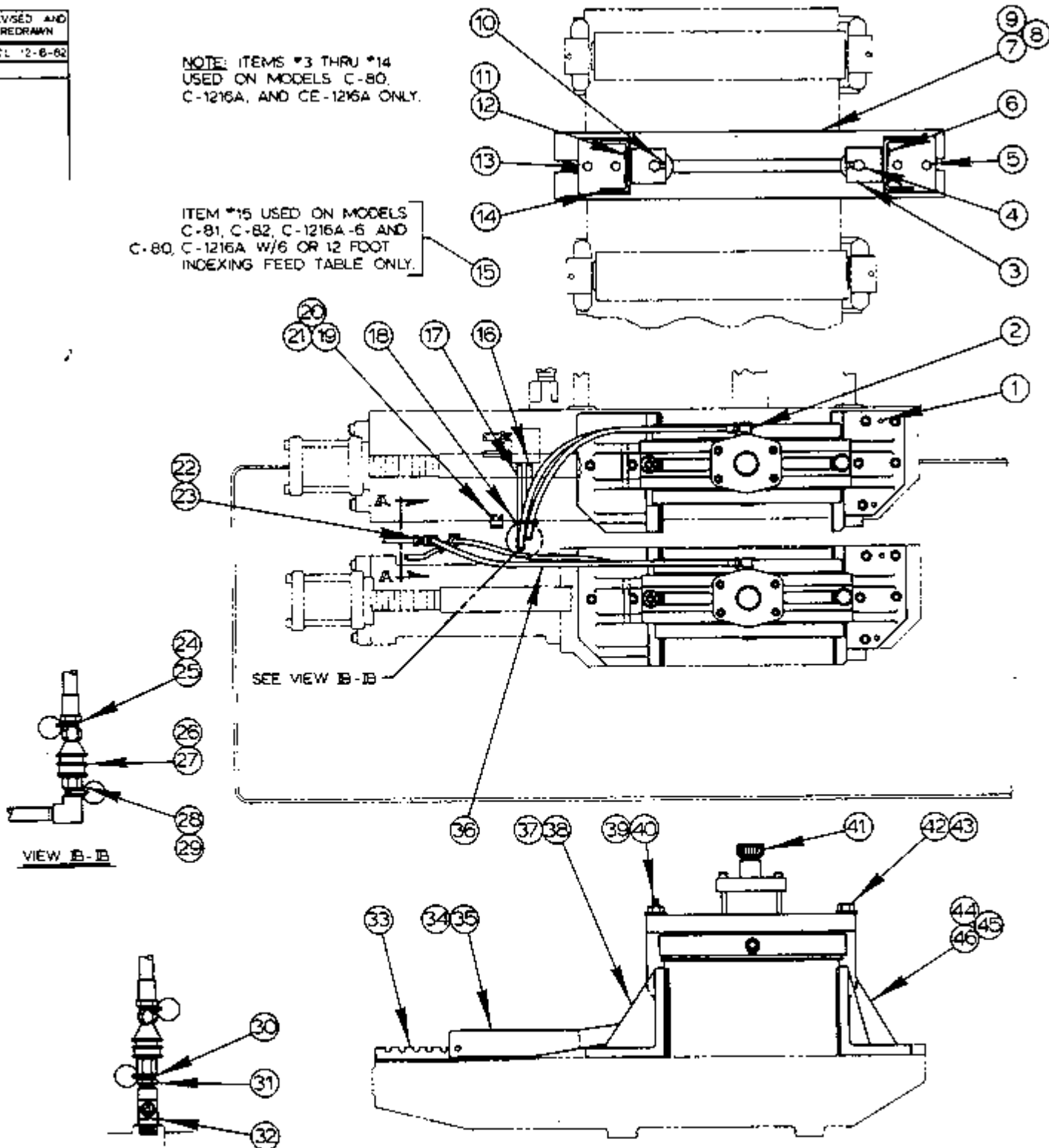
091-224709	. Hydraulic Hose (72" Long).....	1
090-132994	. Hydraulic Hose (78" Long).....	2
090-081514	. Swivel Adaptor Union.....	2
091-124479	. Hydraulic Pump (60 Hz).....	1
091-278192	. Hydraulic Pump (50 Hz).....	1

REVISED AND  
REDRAWN

SCL 12-6-62

NOTE: ITEMS \*3 THRU \*14  
USED ON MODELS C-80,  
C-1216A, AND CE-1216A ONLY.

ITEM \*15 USED ON MODELS  
C-81, C-82, C-1216A-6 AND  
C-80, C-1216A W/6 OR 12 FOOT  
INDEXING FEED TABLE ONLY.



MODEL	FIRST MACH	LAST MACH
C-80	190-74482	190-77988
C-81	342-74101	342-77121
C-82	343-74101	343-76107
C-1216A-6	378-77101	378-79107
C-1216A	373-77101	373-83822
CE-1216A	387-77101	387-83174

NESTING FIXTURE ASSEMBLY  
( W/HIGH CLAMP FORCE )

## NESTING FIXTURE ASSEMBLY

INDEX NO.	PART NO.	DESCRIPTION	UNITS PER ASS'Y
Ref.	085-030732	Nesting Fixture Assembly (W/High Clamp Force) (C-80, C-1216A, CE-1216A)	
Ref.	085-030724	Nesting Fixture Assembly (W/High Clamp Force) (C-81, C-82, C-1216A-6 And C-80, C-1216A W/6 or 16 Foot Indexing Feed Table)	
1	135-004455	. Dowel Pin.....	2
2	105-275069	. 90° Elbow.....	6
*3	091-541797	. Top Support Plate.....	2
*4	091-584110	. Roller.....	2
5	091-980680	. Screw, Hex. Hd. Cap 1/2-13NC x 1-3/4.....	4
6	091-980441	. Screw, Hex. Hd. Cap 3/8-16NC x 3/4.....	12
7	090-253592	. Base Assembly.....	1
8	091-336396	. Shim (.1345).....	A.R.
9	091-336404	. Shim (.0598).....	A.R.
10	091-984484	. Screw, Soc. Set 3/8-16NC x 3/8.....	2
11	091-336826	. Spacer (.0598).....	A.R.
12	091-336834	. Spacer (.0299).....	A.R.
13	090-076944	. T-Nut.....	4
*14	093-113082	. Jaw Assembly.....	2
15	085-025856	. 10' Conveyor Assembly (W/Vertical Rollers) (See Detail) ( See Note On Drawing).....	1
16	114-145113	. Pipe Nipple.....	1
17	135-020089	. Pipe Nipple.....	1
18	091-289231	. Bracket.....	1
19	091-270546	. Hanger.....	1
20	091-980003	. Screw, Hex. Hd. Cap #10-24NC x 3/8.....	4
21	091-993196	. Washer, Lock #10 Std.....	4
22	093-090108	. Male Connector.....	2
23	091-971309	. Steel Tubing 3/8 O.D.....	A.R.
24	091-406520	. Tag.....	4
25	091-069666	. Cable Tie.....	4
26	091-219188	. Coupling.....	4
27	091-219311	. Dust Cap.....	4
28	091-219172	. Coupling.....	4
29	091-219329	. Dust Cap.....	4
30	114-145287	. Close Nipple.....	2
31	135-024560	. Reducer Bushing.....	2
32	091-208579	. Service Tee.....	2
33	090-389305	. Rack.....	1
34	090-390246	. Pawl Assembly (13-5/8" Long).....	1
35	090-390253	. Pawl Assembly (22-5/8" Long).....	1
36	091-224915	. Hydraulic Hose.....	4
37	093-017291	. Movable Jaw Assembly.....	2
38	091-292375	. Wear Plate.....	2
39	090-070541	. Stud 3/4-10NC x 3-1/4.....	2
40	091-016121	. Locknut 3/4-10NC.....	2
41	095-004255	. Nesting Vise Cylinder Assembly (See Detail).....	2
42	091-981118	. Screw, Hex. Hd. Cap 3/4-10NC x 2-1/2.....	2
43	091-992685	. Washer, Flat 3/4 S.A.E. Std.....	4
44	094-047834	. Fixed Jaw.....	2
45	091-292367	. Wear Strip.....	2
46	091-983239	. Screw, Soc. Hd. Flat 1/4-20NC x 5/8.....	20

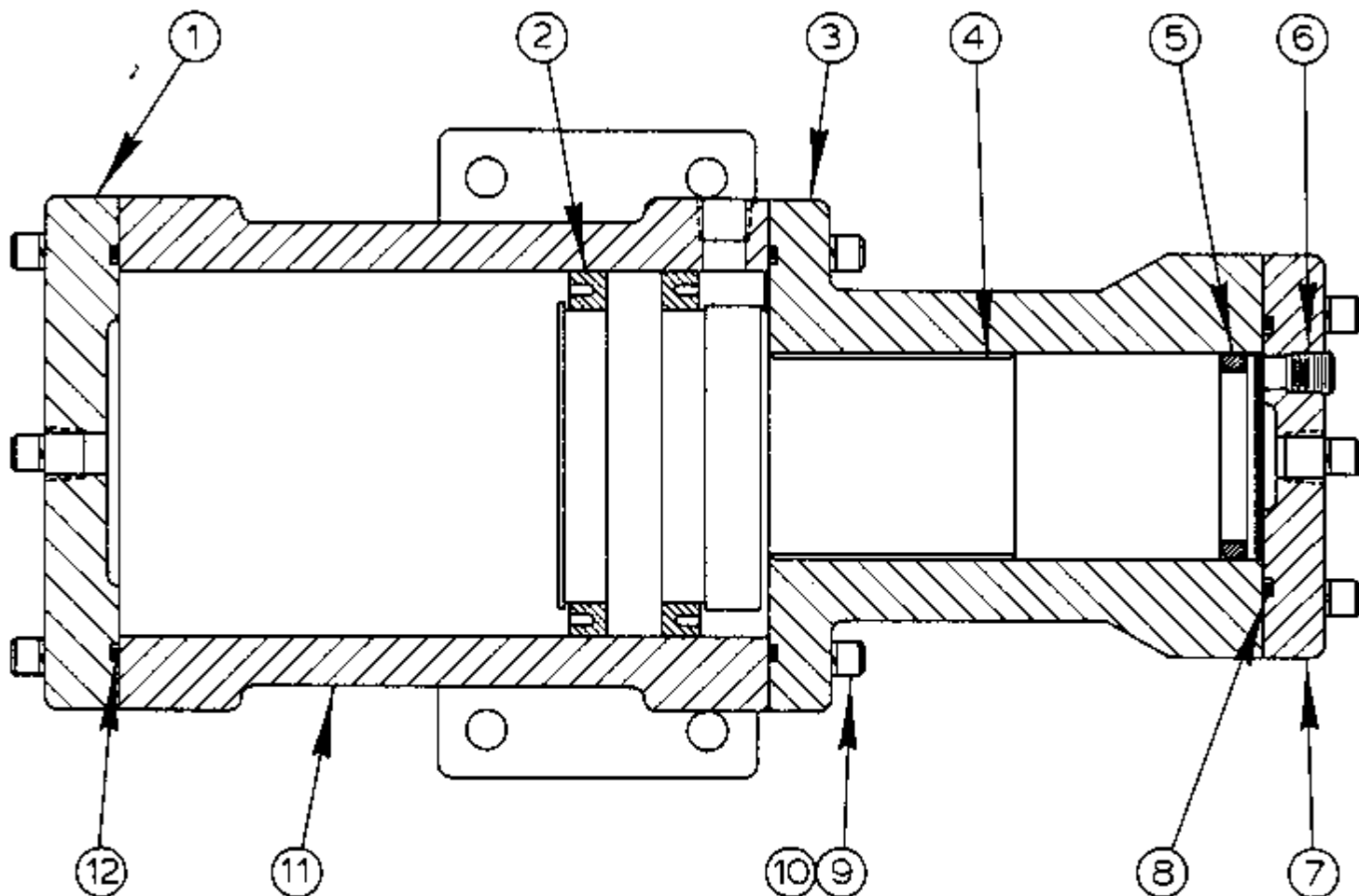
## FOLLOWING NOT SHOWN:

090-081514	. Swivel Adaptor Union.....	2
091-224709	. Hydraulic Hose (72" Long) (Assembly 085-030724).....	1
090-132994	. Hydraulic Hose (78" Long).....	2

\*NOTE: Items #3, #4 And #14 Used For Rollers With 3/4" Hex. Shaft End. For Machines With 13/16" Hex. Shaft End. Order As Follows:

3	090-117193	. Top Support Plate.....	2
4	090-117227	. Roller.....	2
14	090-253584	. Jaw Assembly.....	2

REVISED AND REDRAWN
S.C.L.12-10-82

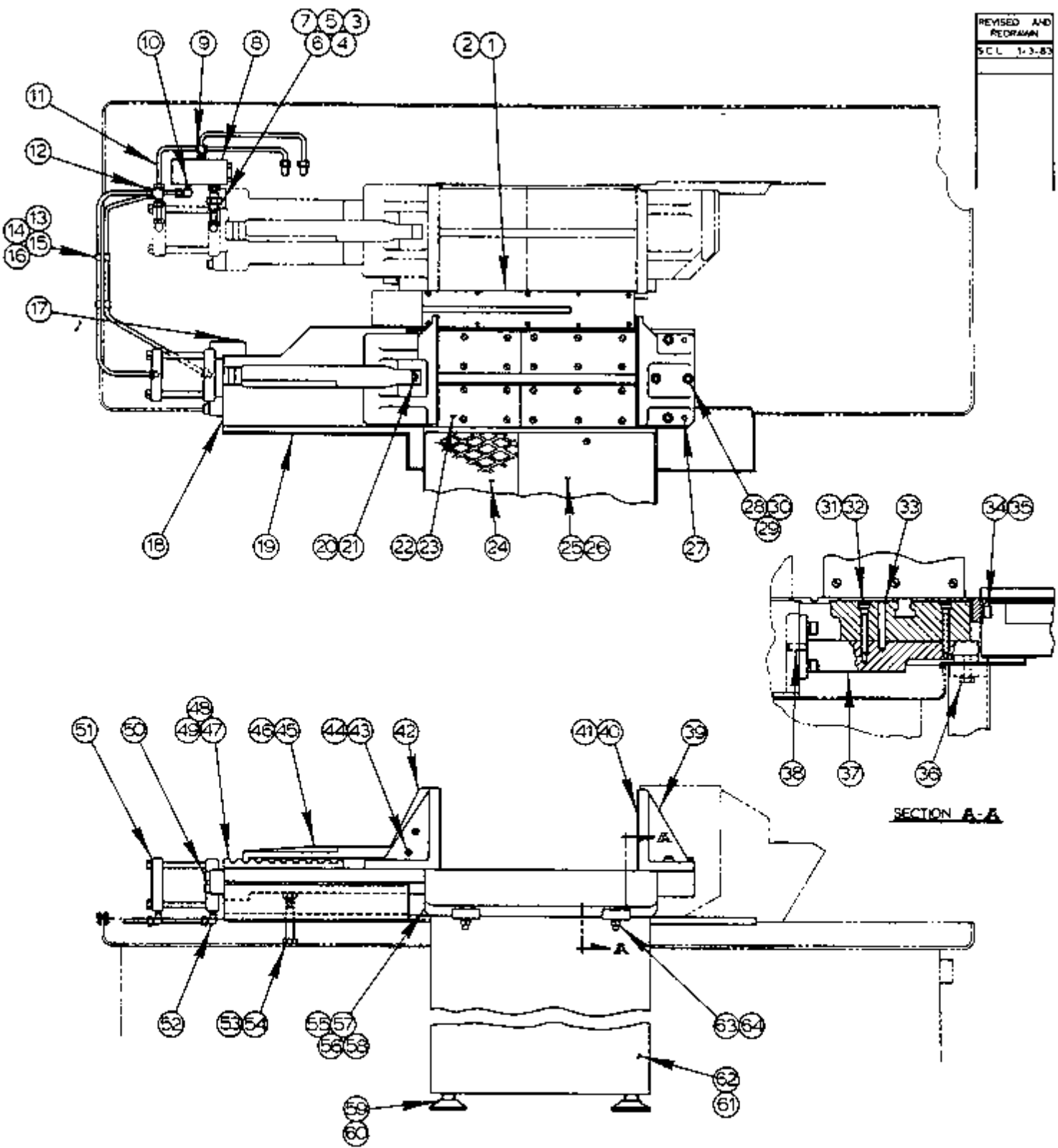


<u>MODEL</u>	<u>FIRST MACH</u>	<u>LAST MACH</u>
C-70	156-672050	156-732648
C-170	160-67569	160-72602
C-270	217-67131	217-70139
C-9A	261-68101	261-72149
C-9AV	297-70101	297-76194
C-80	190-70101	190-72220

NESTING VISE  
PRESSURE BOOSTER CYLINDER ASSEMBLY

## NESTING VISE PRESSURE BOOSTER CYLINDER ASSEMBLY

INDEX NO.	PART NO.	DESCRIPTION	UNITS PER ASS'Y
Ref.	090-459934	Nesting Vise Pressure Booster Cylinder Assembly	
1	090-372764	. End Cap.....	1
2	090-170077	. U-Cup.....	2
3	090-372780	. Cylinder Body.....	1
4	090-372798	. Piston.....	1
5	090-056094	. O-Ring.....	1
6	091-332023	. Pipe Plug.....	1
7	090-372772	. End Cap.....	1
8	090-097882	. O-Ring.....	1
9	091-982447	. Screw, Soc. Hd. Cap 1/4-20NC x 1-1/4.....	18
10	090-035593	. Washer, Lock 1/4 Hi-Collar.....	18
11	094-008455	. Cylinder Body.....	1
12	091-181073	. O-Ring.....	2



**SECTION A-A**

MODEL	FIRST MACH	LAST MACH
C-80	190-70101	190-77968
C-1216A	373-77101	373-83822
CE-1216A	387-77101	387-83174

OUTBOARD VISE AND STOCK TRAY ASSEMBLY

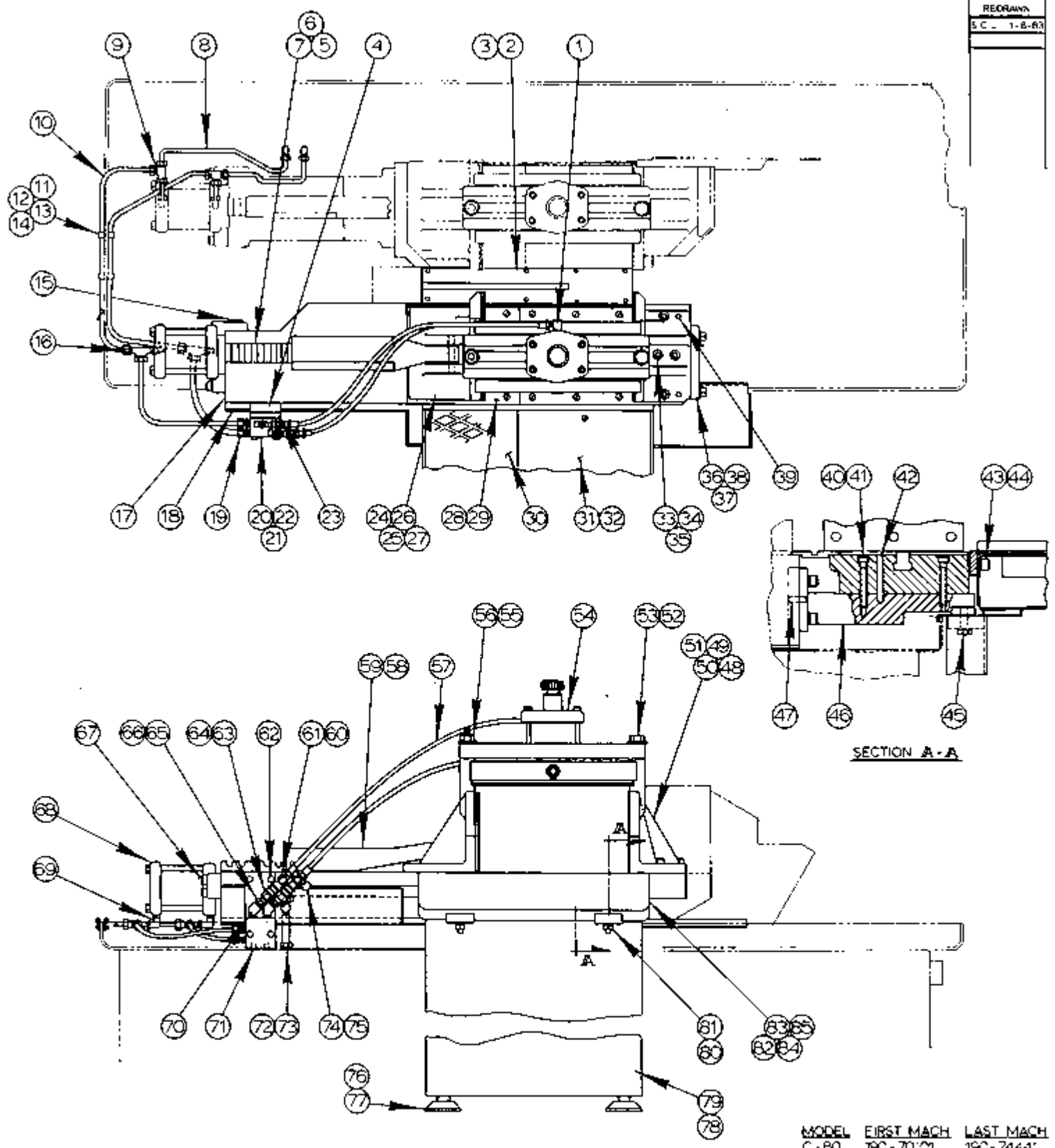
## OUTBOARD VISE AND STOCK TRAY ASSEMBLY-

INDEX NO.	PART NO.	DESCRIPTION	UNITS PER ASS'Y
1	085-014397	Outboard Vise And Stock Tray Assembly	
2	093-023422	Filler Plate.....	1
3	091-983171	Screw, Soc. Hd, Flat #10-24NC x 1/2.....	6
4	105-115174	Hex. Reducer Bushing.....	1
5	114-035074	Close Nipple.....	1
6	090-121021	Pipe Union (1-1/2" Long).....	1
7	135-023430	Pipe Nipple.....	1
8	117-035210	90° Street Elbow.....	1
9	091-292391	Flow Divider Valve.....	1
10	093-090124	Male Connector.....	1
11	093-090595	90° Male Elbow.....	1
12	091-071309	Steel Tubing 3/8 O.D.....	A.R.
13	093-092443	Union Tee.....	1
14	090-099557	Tube Clamp.....	4
15	091-988717	Screw, Rd. Hd, Mach, #10-24NC x 5/8.....	2
16	091-991117	Nut, Hex, #10-24NC.....	2
17	091-993196	Washer, Lock #10 Std.....	2
18	091-061093	Screw, Soc. Hd, Shoulder (1/2 Dia. x 3/4).....	2
19	095-014295	Vise Base.....	1
20	094-041076	Pan Weldment.....	1
21	091-168161	Screw, Soc. Hd, Cap 1/2-13NC x 1 (NYLON).....	2
22	091-244665	Key.....	1
23	090-389248	Wear Strip.....	4
24	090-190350	Screw, Flat Hd, Mach, 1/4-20NC x 5/8.....	24
25	090-320771	Screen.....	1
26	090-320763	Plate.....	1
27	091-987586	Screw, Flat Hd, Mach, 1/4-20NC x 3/8.....	4
28	135-004455	Dowel Pin.....	2
29	091-982959	Screw, Soc. Hd, Cap 1/2-13NC x 1-1/2.....	8
30	091-993279	Washer, Lock 1/2 Std.....	16
31	091-033001	Key.....	1
32	091-982868	Screw, Soc. Hd, Cap 3/8-16NC x 2-3/4.....	4
33	090-051509	Washer, Lock 3/8 Hi-Cntlar.....	4
34	090-110511	Dowel Pin.....	2
35	091-982975	Screw, Soc. Hd, Cap 1/2-13NC x 2.....	2
36	091-984526	Screw, Soc. Set 3/8-16NC x 1.....	2
37	091-980672	Screw, Hex. Hd, Cap 1/2-13NC x 1-1/2.....	2
38	094-032281	Bracket Assembly.....	2
39	114-004732	Dowel Pin.....	2
40	094-047818	Fixed Jaw.....	1
41	091-281683	Near Plate (Steel).....	2
42	091-306407	Near Plate (Polyurethane).....	2
43	091-983239	Screw, Soc. Hd, Flat 1/4-20NC x 5/8.....	12
44	094-040458	Movable Jaw.....	1
45	090-148412	Pin.....	2
46	091-984229	Screw, Soc. Set 1/4-20NC x 1/4.....	2
47	093-040004	Pawl (13-13/16" Long).....	1
48	093-040012	Pawl (22-13/16" Long).....	1
49	094-058664	Rack.....	1
50	091-213826	Screw, Soc. Hd, Shoulder (3/8 Dia. x 1-1/4).....	1
51	091-992644	Washer, Flat 3/8 S.A.E. Std.....	2
52	091-982983	Screw, Soc. Hd, Cap 1/2-13NC x 2-1/4.....	2
53	094-026226	Outboard Vise Clamp Cylinder Assembly (See Detail).....	1
54	093-090579	90° Male Elbow.....	2
55	091-991364	Nut, Hex, Jam 5/8-11NC.....	1
56	091-981126	Screw, Hex. Hd, Cap 5/8-11NC x 4-1/2.....	1
57	090-471939	Tray Weldment.....	1
58	090-320789	Slide Plate (For Workstop If Supplied).....	1
59	090-320797	Slide Plate (For Workstop If Supplied).....	1
60	091-982611	Screw, Soc. Hd, Cap 5/16-18NC x 1-1/4.....	6
61	090-124207	Foot Casting.....	4
62	091-626713	Screw, Hex. Hd, Cap 1-8NC x 4.....	4
63	090-471913	Leg Weldment (Nearest To Machine Base).....	1
64	090-556192	Support Assembly.....	1
	091-980672	Screw, Hex. Hd, Cap 1/2-13NC x 1-1/2.....	4
	091-991315	Nut, Hex, 1/2-13NC.....	4

FOLLOWING NOT SHOWN:

093-048155 , Splash Guard Assembly..... 1

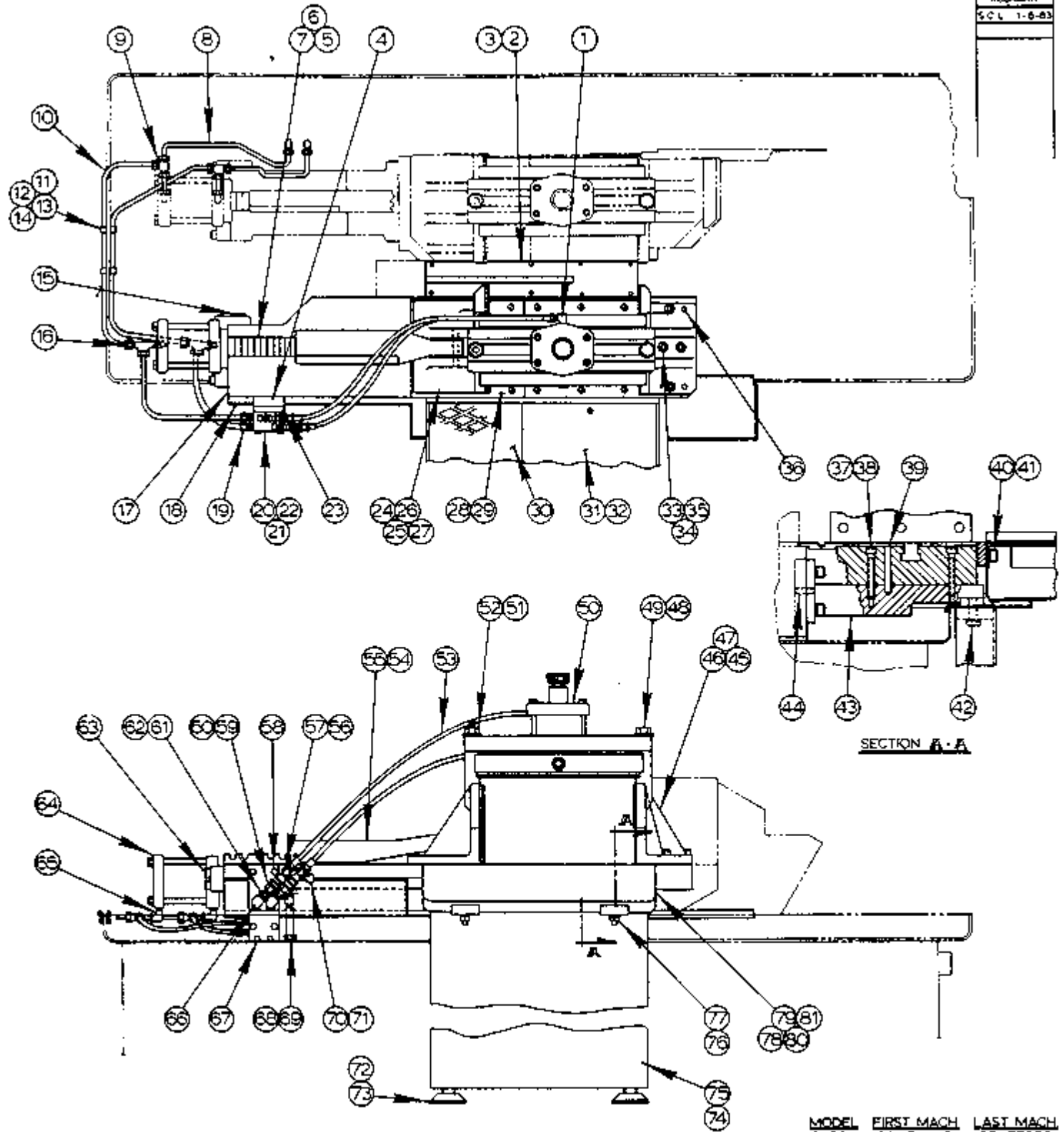
\*NOTE: Item #85 Was 090-274721, #46 Was 090-306499, And #47 Was 090-369067 Before Serial #190-75815 On C-RO Only.



MODEL	FIRST MACH	LAST MACH
C - B0	19C - 70 '01	19C - 7444'

OUTBOARD VISE AND STOCK TRAY ASSEMBLY  
(W/NESTING FIXTURE)



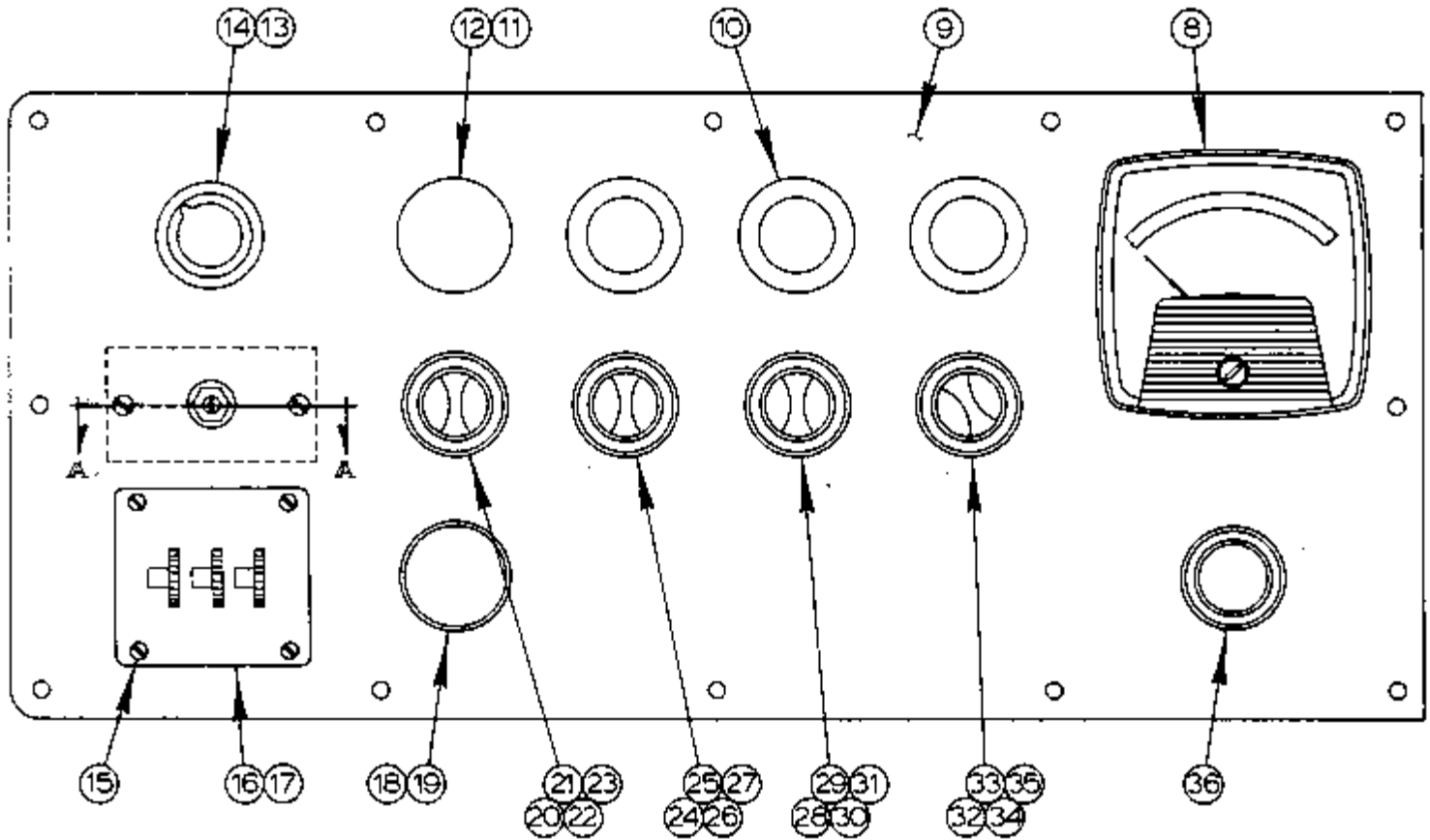
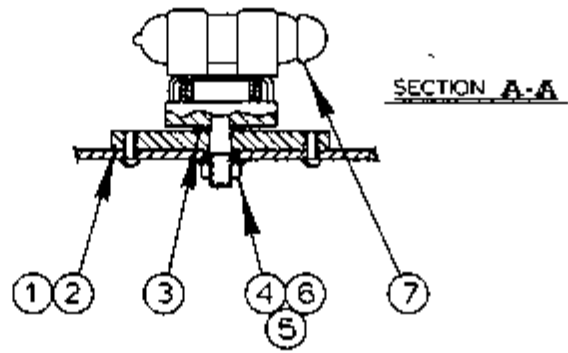


SECTION A-A

MODEL	FIRST MACH	LAST MACH
C-60	190-74442	190-77988
C-1216A	373-77101	373-83822
CE-1216A	387-77101	387-83174

OUTBOARD VISE AND STOCK TRAY ASSEMBLY  
(W/NESTING FIXTURE)





MODEL	FIRST MACH.	LAST MACH.
C-80	190-70101	190-77988
C-81	342-74101	342-77121
C-82	343-74101	343-76107

PUSHBUTTON PANEL ASSEMBLY  
(HEAD MOUNTED)

## PUSHBUTTON PANEL ASSEMBLY

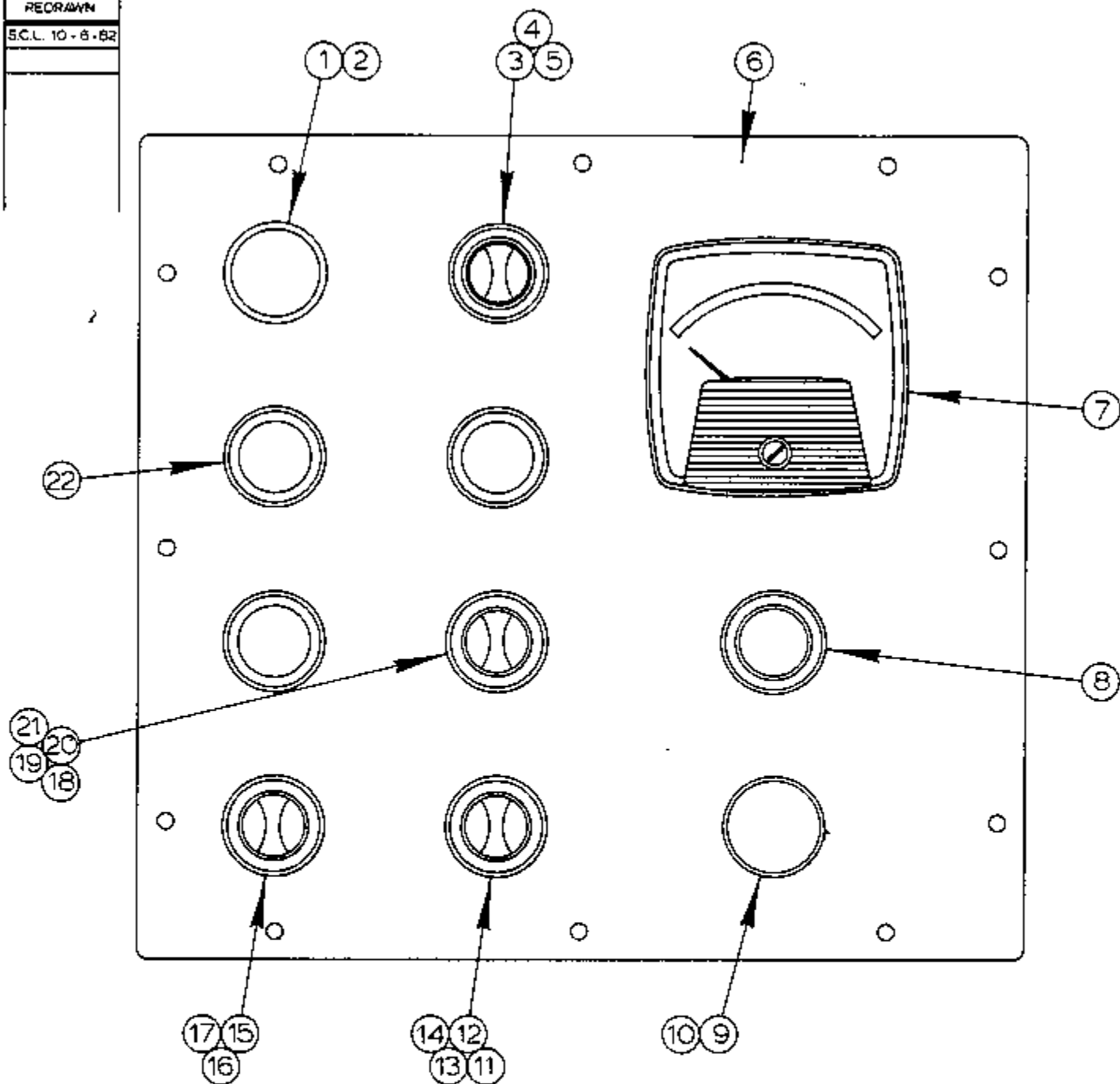
INDEX NO.	PART NO.	DESCRIPTION	UNITS PER ASS'Y
Ref.	095-005393	Pushbutton Panel Assembly (Head Mounted)	
1	091-367482	. Mounting Plate.....	1
2	091-988402	. Screw, Rd. Hd. Mach. #6-32NC x 3/8.....	2
3	091-992933	. Washer, Brass 1/4 I.D.....	1
4	091-991141	. Nut, Hex. Jam 1/4-20NC.....	1
5	091-992610	. Washer, Flat 1/4 S.A.E. Std.....	1
6	091-011940	. O-Ring.....	1
7	091-368126	. Adjustable Mercury Switch Assembly.....	1
8	090-394123	. Speed Indicator Assembly (Standard) (English).....	1
	093-029189	. Speed Indicator Assembly (Standard) (International).....	1
	090-391889	. Speed Indicator Assembly (Slow Speed) (English).....	1
	093-049161	. Speed Indicator Assembly (Slow Speed) (International).....	1
9	*095-025490	. Escutcheon (English).....	1
	095-029856	. Escutcheon (International).....	1
10	091-459453	. Pushbutton Operator (Illuminating Red W/Contact Block).....	3
11	090-149618	. Pushbutton Operator (Red Mushroom).....	1
12	091-048215	. Contact Block (1-NC).....	1
**13	091-314708	. Pushbutton Operator.....	1
**14	090-149626	. Contact Block (1-NO; 1-NC).....	1
15	091-994152	. Screw, Rd. Hd. Sheet Metal #6 x 1/4.....	4
16	091-293324	. Cover Plate.....	1
	091-140640	. Counter (Optional).....	1
17	091-224501	. Gasket.....	1
	091-140657	. Gasket (For Counter).....	1
18	091-230672	. Pushbutton Operator (Black Mushroom).....	1
19	091-166595	. Contact Block (1-NO).....	2
20	091-392613	. Selector Switch (3 Position - Spring Center).....	1
21	091-016634	. Contact Block (2-NO).....	1
22	091-048207	. Contact Block (1-NO).....	1
23	091-022020	. Pushbutton Guard.....	1
24	090-152414	. Selector Switch (3 Position).....	1
25	091-009753	. Contact Block (2-NC).....	1
26	091-016634	. Contact Block (2-NO).....	1
27	091-022020	. Pushbutton Guard.....	1
28	090-152414	. Selector Switch (3 Position).....	1
29	091-048207	. Contact Block (1-NO).....	2
30	091-009753	. Contact Block (2-NC).....	1
31	091-022020	. Pushbutton Guard.....	1
32	090-152455	. Selector Switch (2 Position).....	1
33	090-149626	. Contact Block (1-NO; 1-NC).....	3
34	091-048207	. Contact Block (1-NO).....	1
35	091-022020	. Pushbutton Guard.....	1
36	091-220681	. 2-Way Switch.....	1

## FOLLOWING NOT SHOWN:

091-971903	. Wire, #14 Red (Nylon Jacket).....	A.R.
091-415463	. Wire Jumper (Short).....	7
091-415471	. Wire Jumper (Long).....	6

\*NOTE: Item #9 095-025490 Was 095-007001 Before Serial #190-73289 On C-80 Only.

\*\*NOTE: Items #13 And #14 Are Also Part Of Slow Approach Assembly 094-046729.



MODEL	FIRST MACH	LAST MACH
C-80	190-70101	190-77988
C-81	342-74101	342-77121
C-82	343-74101	343-76107
C-180	302-70101	302-77129

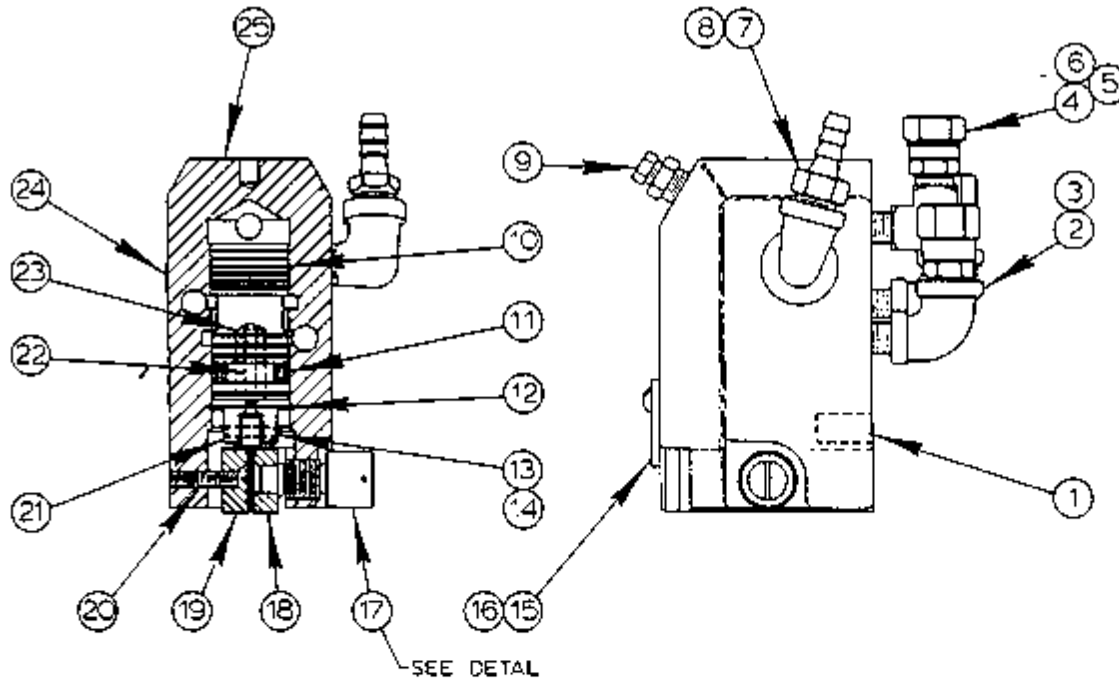
PUSHBUTTON PANEL ASSEMBLY  
( REMOTE )

## PUSHBUTTON PANEL ASSEMBLY

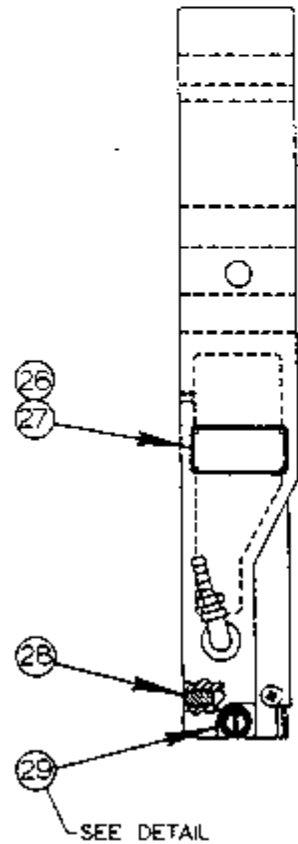
INDEX NO.	PART NO.	DESCRIPTION	UNITS PER ASS'Y
Ref.	095-002689	Pushbutton Panel Assembly (Remote)	
1	090-149618	. Pushbutton Operator (Red Mushroom).....	1
2	091-048215	. Contact Block (1-NC).....	1
3	090-152455	. Selector Switch (2 Position).....	1
4	090-149626	. Contact Block (1-NO; 1-NC).....	3
5	091-048207	. Contact Block (1-NO).....	2
6	094-016227	. Escutcheon (English).....	1
	094-045705	. Escutcheon (International).....	1
7	090-394123	. Speed Indicator Assembly (Standard) (English).....	1
	093-029189	. Speed Indicator Assembly (Standard) (International).....	1
	090-391889	. Speed Indicator Assembly (Slow Speed) (English).....	1
	093-049161	. Speed Indicator Assembly (Slow Speed) (International)...	1
8	091-220681	. 2-Way Switch.....	1
9	091-230672	. Pushbutton Operator (Black Mushroom).....	1
10	091-166595	. Contact Block (1-NO).....	1
11	091-392613	. Selector Switch (3 Position).....	1
12	091-048207	. Contact Block (1-NO).....	1
13	091-016634	. Contact Block (2-NO).....	1
14	091-415471	. Jumper Wire (Long).....	10
15	090-152414	. Selector Switch (3 Position).....	1
16	091-009753	. Contact Block (2-NC).....	1
17	091-016634	. Contact Block (2-NO).....	1
18	090-152414	. Selector Switch (3 Position).....	1
19	091-048207	. Contact Block (1-NO).....	1
20	091-009753	. Contact Block (2-NC).....	1
21	091-415463	. Wire Jumper (Short).....	10
22	091-459453	. Pushbutton Operator (Illuminating Red W/Contact Block)..	3

## FOLLOWING NOT SHOWN:

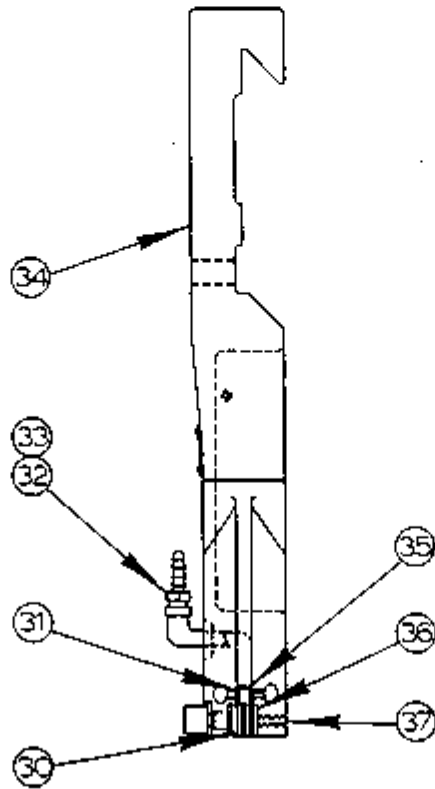
091-971903	. Wire, #14 Red (Nylon Jacket).....	A.R.
091-971879	. Wire, #14 White (Nylon Jacket).....	A.R.



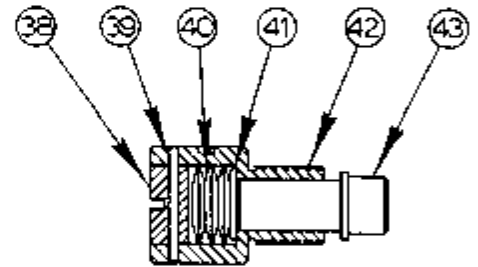
R.H. SAW GUIDE BLOCK ASSEMBLY



L.H. SAW GUIDE ASSEMBLY



SAW GUIDE ASSEMBLY



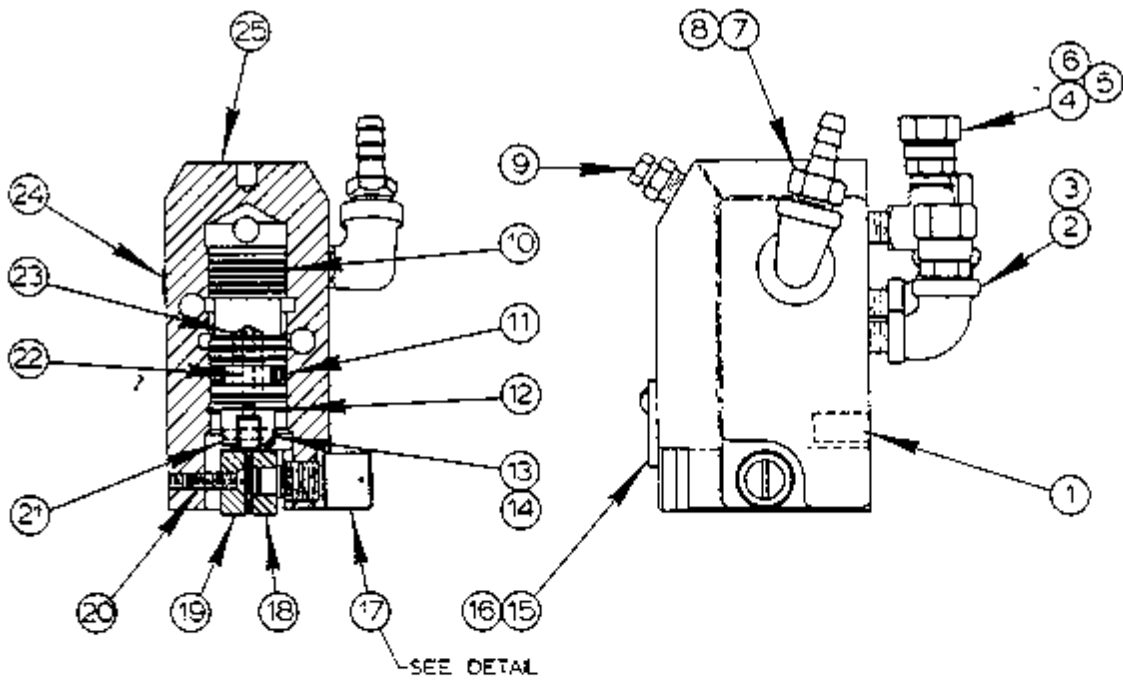
ADJUSTING SCREW ASSEMBLY  
(SEE NOTE ON PARTS LIST)

MODEL	FIRST MACH.	LAST MACH.
C-78	300-70101	300-73122
C-80	190-70101	190-73270
C-180	302-70101	302-73105

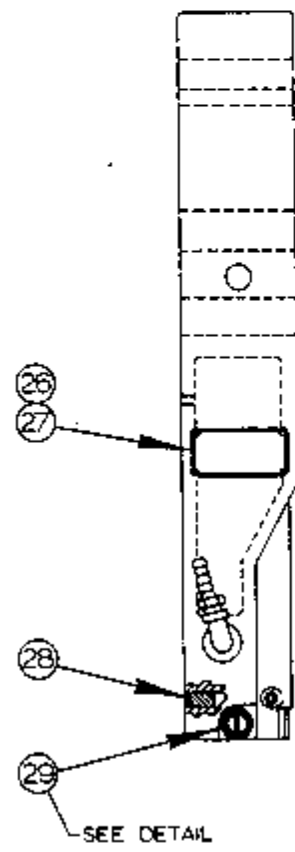
## SAW GUIDE ASSEMBLY

INDEX NO.	PART NO.	DESCRIPTION	UNITS PER ASS'Y
Ref.	094-018850	R.H. Saw Guide Block Assembly	
1	091-014019	. Insert.....	1
2	090-152224	. 90° Reducing Elbow.....	2
3	090-081514	. Swivel Adaptor Union.....	2
4	091-230417	. 90° Elbow.....	1
5	090-038498	. Swivel Adaptor Union.....	1
6	114-145287	. Close Nipple.....	3
7	091-033167	. Barbed Insert.....	1
8	117-135210	. 90° Street Elbow.....	1
9	091-000398	. Air Vent.....	1
10	090-388554	. Spool.....	1
11	091-002063	. U-Cup.....	1
12	091-212570	. Retaining Ring.....	1
13	091-212100	. Back-Up Insert.....	1
14	090-042409	. Roll Pin.....	1
15	091-212076	. Wiper.....	1
16	091-990143	. Screw, Truss Hd. Mach. #10-24NC x 5/16.....	1
*17	091-244194	. Adjusting Screw Assembly (See Detail).....	1
18	091-106690	. Insert Assembly.....	1
19	091-106658	. Insert Assembly.....	1
20	091-987511	. Screw, Flat Hd. Mach. #10-24NC x 3/4.....	1
21	091-223677	. Plunger.....	1
22	091-223669	. Screw, Soc. Set #10-24NC x 1 (Oval Pt.).....	1
23	091-282277	. Nut Hex. #10-24NC.....	1
24	091-203695	. Soc. Pipe Plug.....	1
25	094-012341	. R.H. Saw Guide Block.....	1
Ref.	094-009701	L.H. Saw Guide Assembly	
26	091-149062	. Escutcheon (Saw Guide Adj.) (English).....	1
	091-481895	. Escutcheon (Saw Guide Adj.) (International).....	1
27	091-993964	. Screw, Rd. Hd. Drive #2 x 3/16.....	4
28	091-014019	. Insert.....	1
*29	091-244194	. Adjusting Screw Assembly (See Detail).....	1
30	091-371559	. Insert Assembly.....	1
31	091-221879	. Screw, Soc. Set #10-24NC x 1/2 (Self-Locking, Cone Pt.)..	2
32	090-148404	. Barbed Insert.....	1
33	117-135210	. 90° Street Elbow.....	1
*34	095-012415	. L.H. Saw Guide Arm.....	1
35	091-106716	. Back-Up Insert.....	1
36	091-371583	. Insert Assembly.....	1
37	091-987511	. Screw, Flat Hd. Mach. #10-24NC x 3/4.....	1
*Ref.	091-244194	Adjusting Screw Assembly	
38	091-240333	. Plug.....	1
39	090-042177	. Roll Pin.....	1
40	091-046326	. Belleville Washer.....	6
41	091-992578	. Washer, Flat #8 S.A.E. Std.....	1
42	091-244186	. Housing.....	1
43	091-244178	. Plunger.....	1

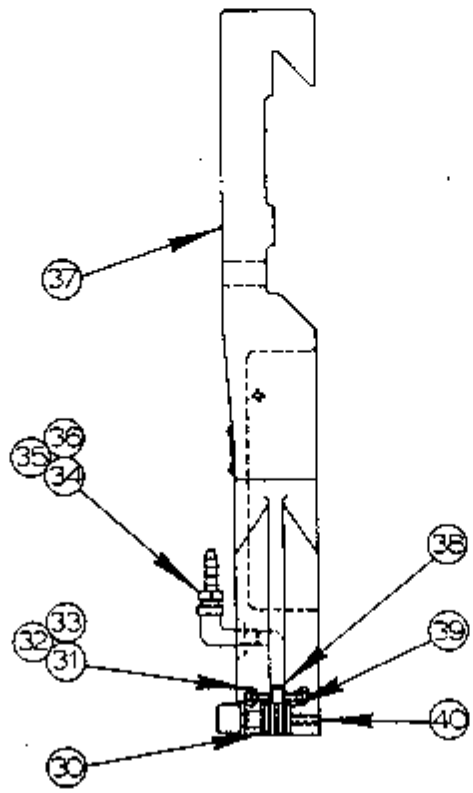
\*NOTE: Before Serial #300-72110 On C-79, #190-72185 On C-80, And #302-72103 On C-180, Items #17 and #29 Were 091-106724 Adjusting Screw; 090-187311 Belleville Washer; 091-121780 Stop; 091-983213 Button Hd. Screw, #10-24NC x 3/8. Item #34 was 090-593526.



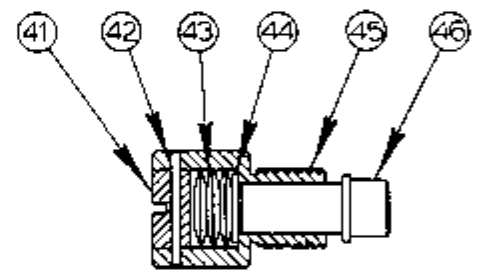
R.H. SAW GUIDE BLOCK ASSEMBLY



L.H. SAW GUIDE ASSEMBLY



SAW GUIDE ASSEMBLY

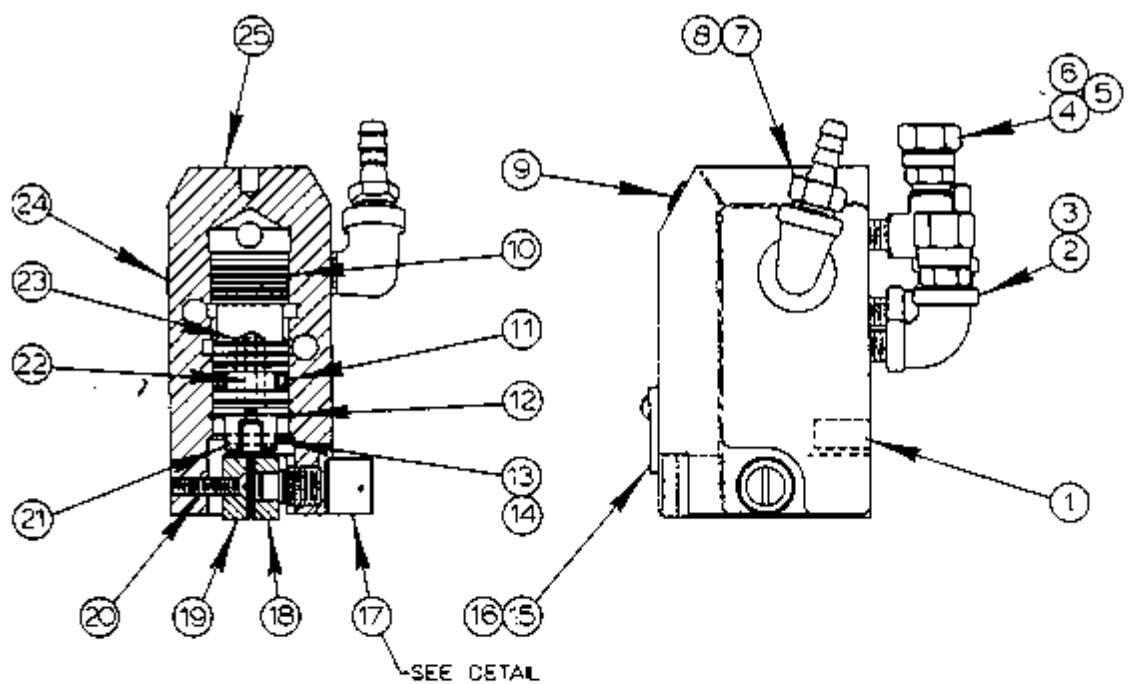


ADJUSTING SCREW ASSEMBLY

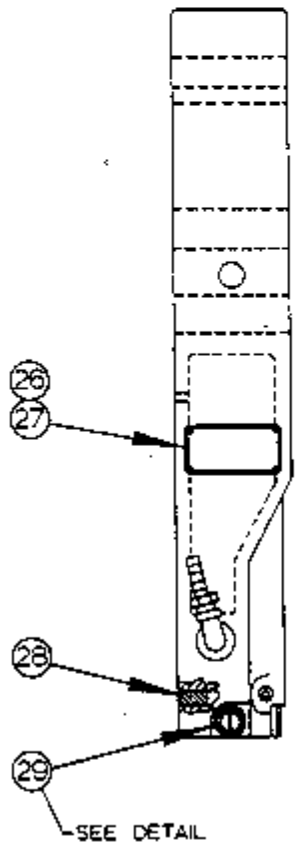
MODEL	FIRST MACH	LAST MACH
C-79	300-73123	300-73128
C-80	190-73271	190-73342
C-180	302-73106	302-73107

## SAW GUIDE ASSEMBLY

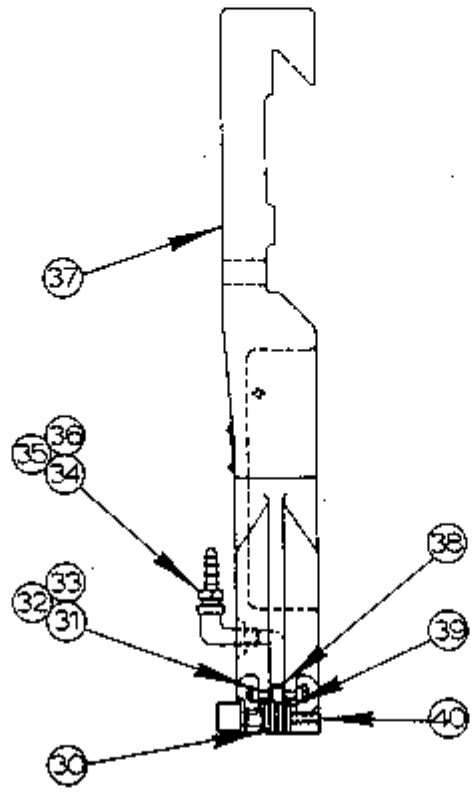
INDEX NO.	PART NO.	DESCRIPTION	UNITS PER ASS'Y
Ref.	094-018850	R.H. Saw Guide Block Assembly	
1	091-014019	. Insert.....	1
2	090-152224	. 90° Reducing Elbow.....	2
3	090-081514	. Swivel Adaptor Union.....	2
4	091-230417	. 90° Elbow.....	1
5	090-038498	. Swivel Adaptor Union.....	1
6	114-145287	. Close Nipple.....	3
7	091-033167	. Barbed Insert.....	1
8	117-135210	. 90° Street Elbow.....	1
9	091-000398	. Air Vent.....	1
10	090-388554	. Spool.....	1
11	091-002063	. U-Cup.....	1
12	091-212570	. Retaining Ring.....	1
13	091-212100	. Back-Up Insert.....	1
14	090-042409	. Roll Pin.....	1
15	091-212076	. Wiper.....	1
16	091-990143	. Screw, Truss Hd. Mach. #10-24Nc x 5/16.....	1
17	091-244194	. Adjusting Screw Assembly (See Detail).....	1
18	091-106690	. Insert Assembly.....	1
19	091-106658	. Insert Assembly.....	1
20	091-987511	. Screw, Flat Hd. Mach. #10-24NC x 3/4.....	1
21	091-223677	. Plunger.....	1
22	091-223669	. Screw, Soc. Set #10-24Nc x 1 (Oval Pt.).....	1
23	091-282277	. Nut, Hex. #10-24NC.....	1
24	091-203695	. Soc. Pipe Plug.....	1
25	094-012341	. R.H. Saw Guide Block.....	1
Ref.	094-037843	L.H. Saw Guide Assembly	
26	091-149062	. Escutcheon (Saw Guide Adj.) (English).....	1
	091-481895	. Escutcheon (Saw Guide Adj.) (International).....	1
27	091-993964	. Screw, Rd. Hd. Drive #2 x 3/16.....	4
28	091-014019	. Insert.....	1
29	091-244194	. Adjusting Screw Assembly (See Detail).....	1
30	091-027557	. Insert Assembly.....	1
31	091-985663	. Screw Soc. Set #10-24NC x 3/4 (Cone Pt.).....	2
32	090-121443	. Washer, Lock #10 Hi-Collar.....	2
33	091-282277	. Nut, Hex. #10-24NC.....	2
34	090-148404	. Barbed Insert.....	1
35	117-135210	. 90° Street Elbow.....	1
36	091-227488	. Soc. Pipe Plug.....	1
37	095-017778	. L.H. Saw Guide Arm.....	1
38	091-106716	. Back-Up Insert.....	1
39	091-106674	. Insert Assembly.....	1
40	091-987511	. Screw, Flat Hd. Mach. #10-24NC x 3/4.....	1
Ref.	091-244194	Adjusting Screw Assembly	
41	091-240333	. Plug.....	1
42	090-042177	. Roll Pin.....	1
43	091-046326	. Belleville Washer.....	6
44	091-992578	. Washer, Flat #8 S.A.E. Std.....	1
45	091-244186	. Housing.....	1
46	091-244178	. Plunger.....	1



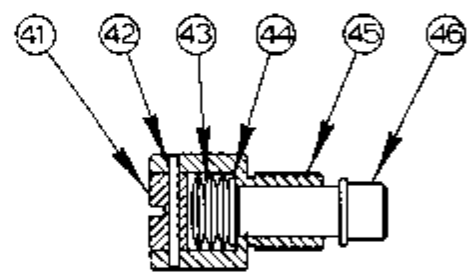
R.H. SAW GUIDE BLOCK ASSEMBLY



L.H. SAW GUIDE ASSEMBLY



SAW GUIDE ASSEMBLY

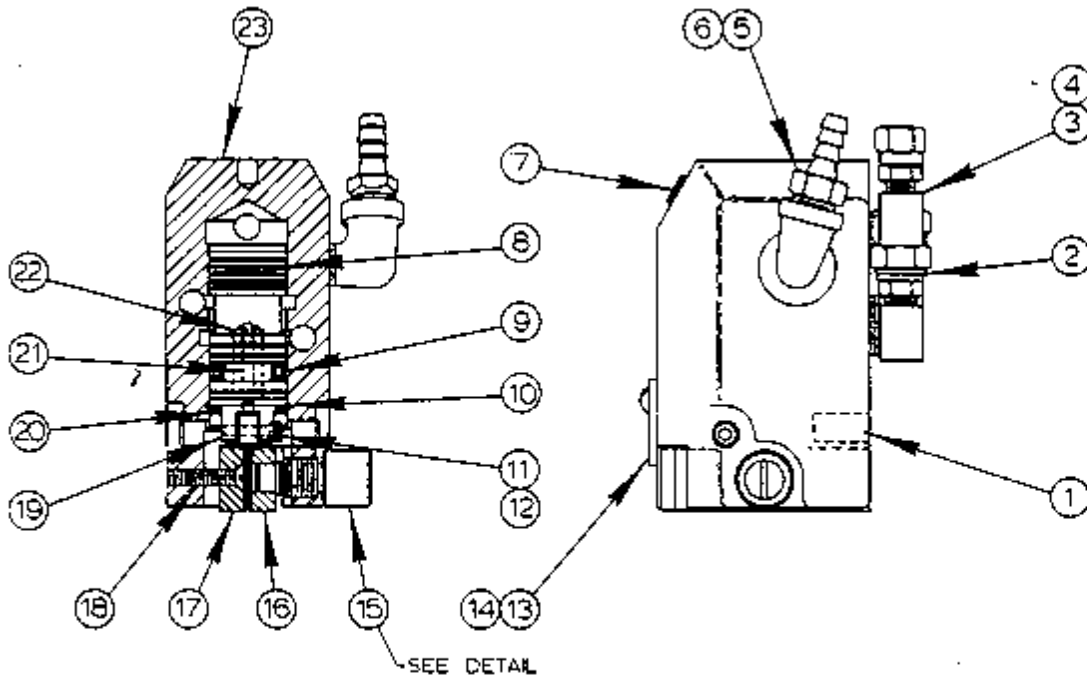


ADJUSTING SCREW ASSEMBLY

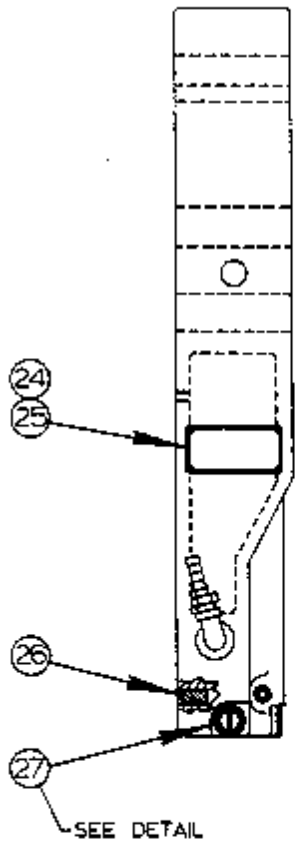
MODEL	FIRST MACH	LAST MACH
C-79	300-73129	300-75214
C-80	190-73343	190-76816
C-81	342-74101	342-76112
C-82	343-74101	343-76106

## SAW GUIDE ASSEMBLY

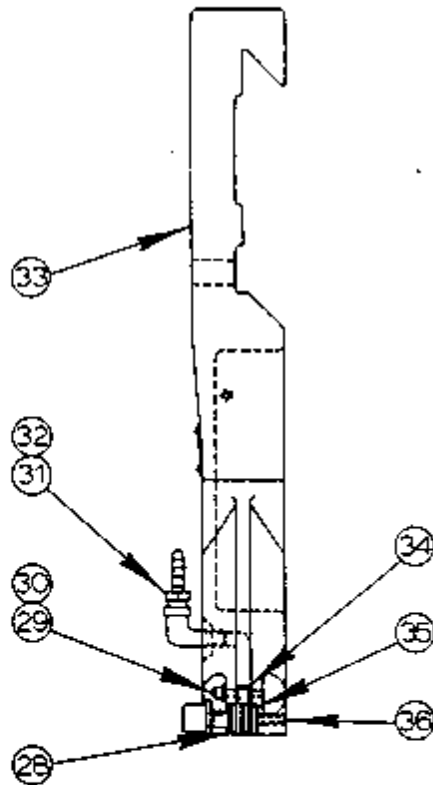
INDEX NO.	PART NO.	DESCRIPTION	UNITS PER ASS'Y
Ref.	094-018850	R.H. Saw Guide Block Assembly	
1	091-014019	. Insert.....	1
2	090-152224	. 90° Reducing Elbow.....	2
3	090-081514	. Swivel Adaptor Union.....	2
4	091-230417	. 90° Elbow.....	1
5	090-038498	. Swivel Adaptor Union.....	1
6	114-145287	. Close Nipple.....	3
7	091-033167	. Barbed Insert.....	1
8	117-135210	. 90° Street Elbow.....	1
9	091-203695	. Soc. Pipe Plug (Or 091-000398 Air Vent).....	1
10	090-388554	. Spool.....	1
11	091-002063	. U-Cup.....	1
12	091-212570	. Retaining Ring.....	1
13	091-212100	. Back-Up Insert.....	1
14	090-042409	. Roll Pin.....	1
15	091-212076	. Wiper.....	1
16	091-990143	. Screw, Truss Hd. Mach. #10-24NC x 5/16.....	1
17	091-244194	. Adjusting Screw Assembly (See Detail).....	1
18	091-106690	. Insert Assembly.....	1
19	091-106658	. Insert Assembly.....	1
20	091-987511	. Screw, Flat Hd. Mach. #10-24NC x 3/4.....	1
21	091-223677	. Plunger.....	1
22	091-223669	. Screw, Soc. Set #10-24NC x 1 (Oval Pt.).....	1
23	091-282277	. Nut Hex, #10-24NC.....	1
24	091-203695	. Soc. Pipe Plug (If Required).....	1
25	094-012341	. R.H. Saw Guide Block.....	1
Ref.	094-043155	L.H. Saw Guide Assembly	
26	091-149062	. Escutcheon (Saw Guide Adj.) (English).....	1
	091-481895	. Escutcheon (Saw Guide Adj.) (International).....	1
27	091-993964	. Screw, Rd. Hd. Drive #2 x 3/16.....	4
28	091-014019	. Insert.....	1
29	091-244194	. Adjusting Screw Assembly (See Detail).....	1
30	091-371559	. Insert Assembly.....	1
31	091-985663	. Screw, Soc. Set #10-24Nc x 3/4 (Cone Pt.).....	2
32	091-123646	. Spacer.....	2
33	091-282277	. Nut, Hex, #10-24NC.....	2
34	090-148404	. Barbed Insert.....	1
35	117-135210	. 90° Street Elbow.....	1
36	091-227488	. Soc. Pipe Plug.....	1
37	095-028700	. L.H. Saw Guide Arm.....	1
38	091-106716	. Back-Up Insert.....	1
39	091-371583	. Insert Assembly.....	1
40	091-987511	. Screw, Flat Hd. Mach. #10-24NC x 3/4.....	1
Ref.	091-244194	Adjusting Screw Assembly	
41	091-240333	. Plug.....	1
42	090-042177	. Roll Pin.....	1
43	091-046326	. Belleville Washer.....	6
44	091-992578	. Washer, Flat #8 S.A.E. Std.....	1
45	091-244186	. Housing.....	1
46	091-244178	. Plunger.....	1



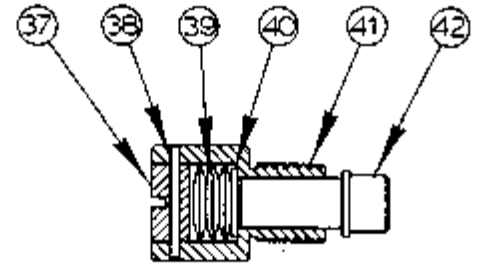
R H. SAW GUIDE BLOCK ASSEMBLY



L.H. SAW GUIDE ASSEMBLY



SAW GUIDE ASSEMBLY  
 (1/2" BAND)



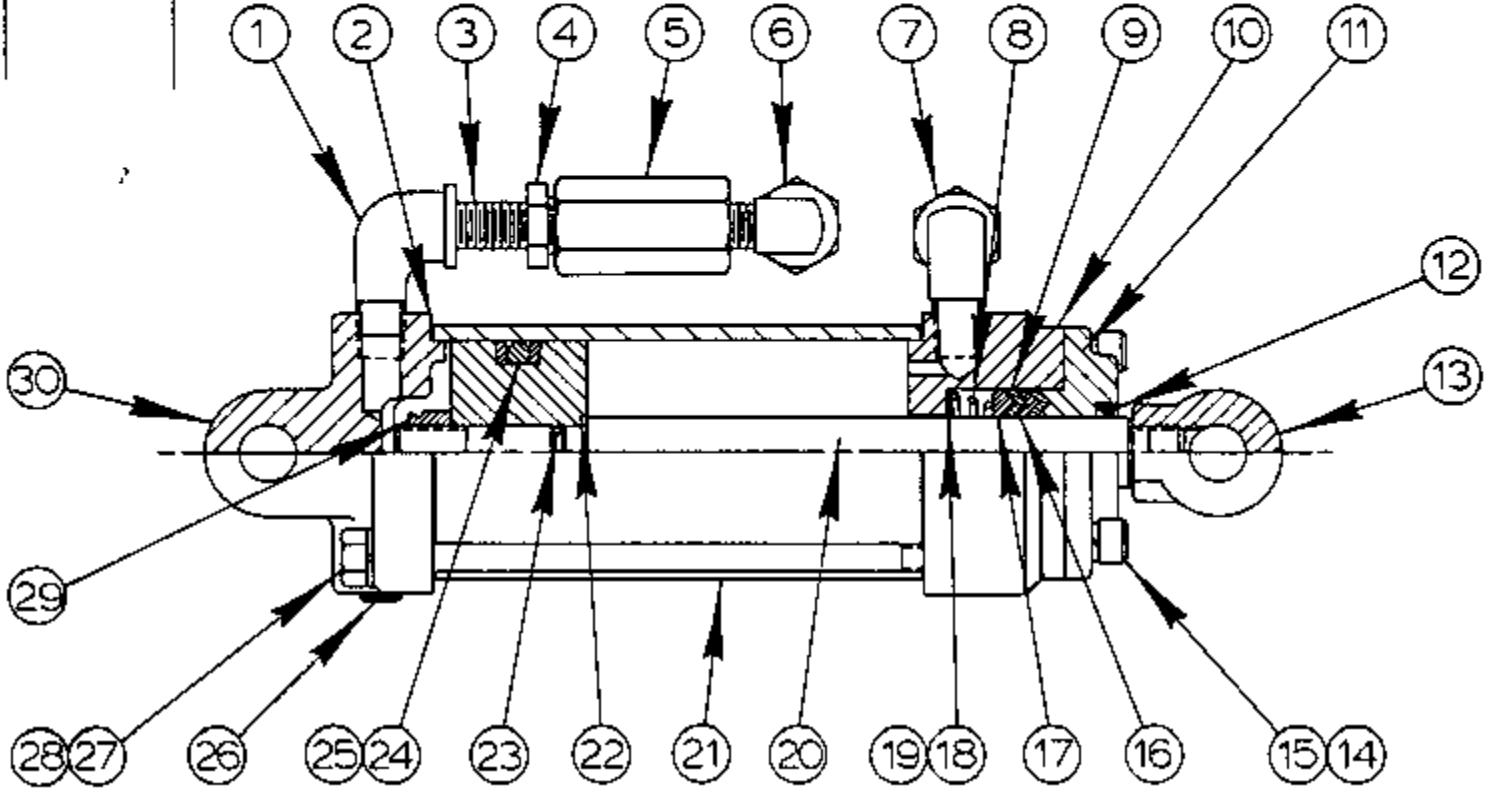
ADJUSTING SCREW ASSEMBLY

MODEL	FIRST MACH	LAST MACH
C-79	300-75215	300-77248
C-80	190-76817	190-77988
C-81	342-76113	342-77121
C-82	343-76107	343-76107
C-1218M	374-77101	374-79136
C-1216A	373-77101	373-79362
CE-1216A	387-77101	387-79126
C-1216A-6	378-77101	378-79107

## SAW GUIDE ASSEMBLY

INDEX NO.	PART NO.	DESCRIPTION	UNITS PER ASS'Y
Ref.	094-044989	R.H. Saw Guide Block Assembly (1" Band)	
1	091-014019	. Insert.....	1
2	091-155895	. Swivel Adaptor Union.....	2
3	105-275069	. 90° Street Elbow.....	3
4	090-038498	. Swivel Adaptor Union.....	1
5	091-033167	. Barbed Insert.....	1
6	117-135210	. 90° Street Elbow.....	1
7	091-203695	. Pipe Plug (Or 091-000398 Air Vent).....	3
8	090-388554	. Spool.....	1
9	091-002063	. U-Cup.....	1
10	091-212570	. Retaining Ring.....	1
11	091-212100	. Back-Up Insert.....	1
12	091-307652	. Pivot Bolt.....	1
13	091-212076	. Wiper.....	1
14	091-990143	. Screw, Truss Hd. Mach. #10-24NC x 5/16.....	1
15	091-244194	. Adjusting Screw Assembly (See Detail).....	1
16	091-371575	. Insert Assembly.....	1
17	091-371567	. Insert Assembly.....	1
18	091-987511	. Screw, Flat Hd. Mach. #10-24NC x 3/4.....	1
19	091-307645	. Plunger.....	1
20	091-447888	. Seal.....	1
21	091-223669	. Screw, Soc. Set #10-24Nc x 1 (Oval Pt.).....	1
22	091-282277	. Nut, Hex. #10-24NC.....	1
23	094-012341	. R.H. Saw Guide Block.....	1
Ref.	094-063989	L.H. Saw Guide Assembly (1" Band)	
24	091-149062	. Escutcheon (Saw Guide Adj.) (English).....	1
	091-481895	. Escutcheon (Saw Guide Adj.) (International).....	1
25	091-993964	. Screw, Rd. Hd. Drive #2 x 3/16.....	4
26	091-014019	. Insert.....	1
27	091-244194	. Adjusting Screw Assembly (See Detail).....	1
28	091-371559	. Insert Assembly.....	1
29	091-375121	. Pivot Bolt.....	1
30	091-993733	. Washer, Lock #10 Shakeproof Ext.....	1
31	091-033167	. Barbed Insert.....	1
32	117-135210	. 90° Street Elbow.....	1
33	095-047882	. L.H. Saw Guide Arm.....	1
34	091-375113	. Back-Up Insert.....	1
35	091-371583	. Insert Assembly.....	1
36	091-987511	. Screw, Flat Hd. Mach. #10-24NC x 3/4.....	1
Ref.	091-244194	Adjusting Screw Assembly	
37	091-240333	. Plug.....	1
38	090-042177	. Roll Pin.....	1
39	091-046326	. Belleville Washer.....	6
40	091-992578	. Washer, Flat #8 S.A.E. Std.....	1
41	091-244186	. Housing.....	1
42	091-244178	. Plunger.....	1

REVISED AND  
 REDRAWN  
 S.C.L. 12-19-80



MODEL	FIRST MACH.	LAST MACH.
C-79	300-70101	300-77245
C-80	190-70101	190-77988
C-180	302-70101	302-77129
C-81	342-74101	342-77121
C-82	343-74101	343-76107
C-179	329-74101	329-76105
C-1216M	374-77101	374-83234
C-1216A	373-77101	373-83822
C-1216A-6	378-77101	378-79107
CE-1216A	387-77101	387-83174
CT-1216A	385-77101	385-80108
CT-1216M	386-77101	386-83104
C-1213A	412-80101	
C-1213M	413-80101	
CE-1213A	418-81101	
CE-1213M	419-81101	
C-1216A	423-82101	

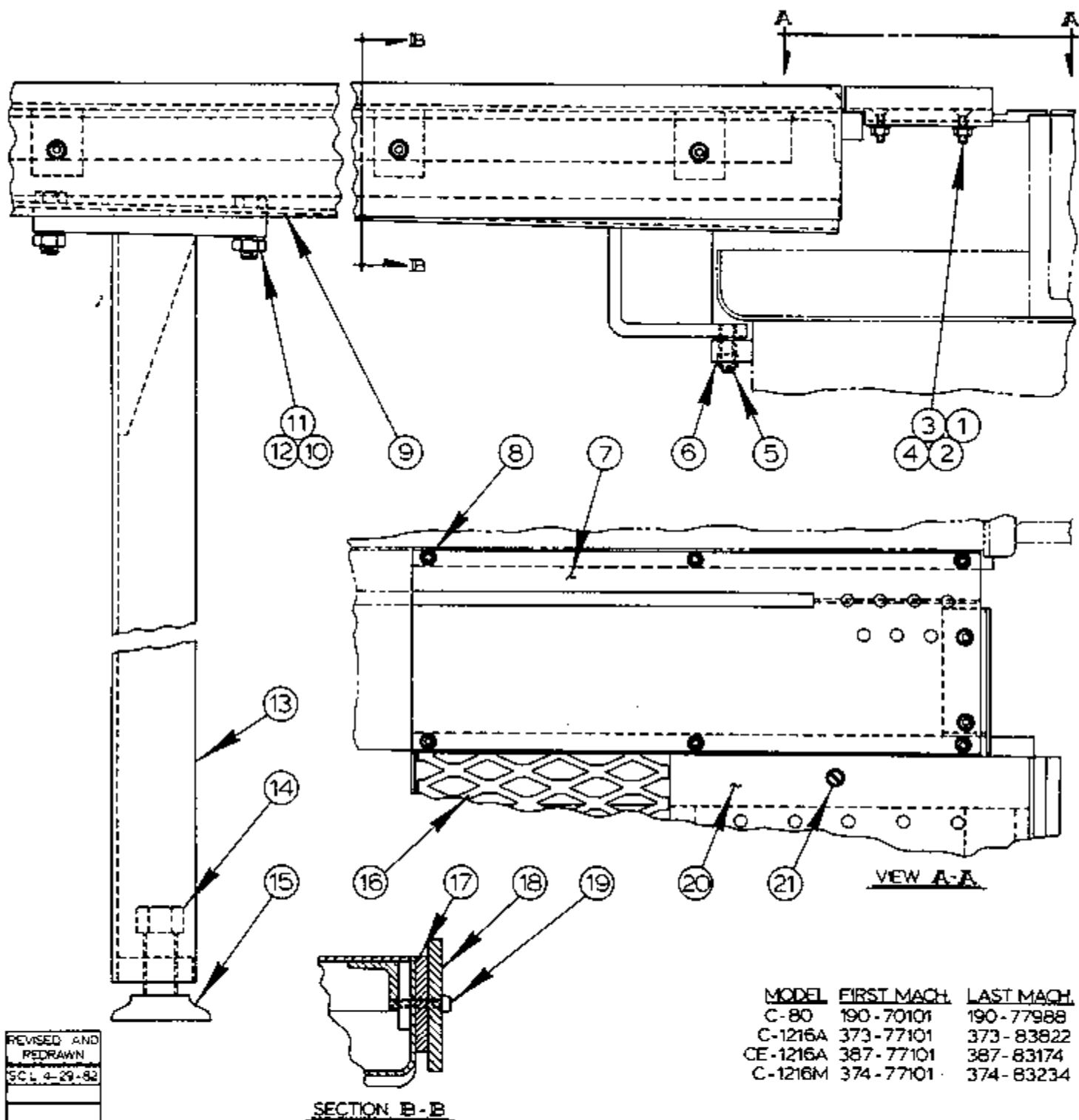
SPEED CHANGE CYLINDER ASSEMBLY

## SPEED CHANGE CYLINDER ASSEMBLY

INDEX NO.	PART NO.	DESCRIPTION	UNITS PER ASS'Y
Ref.	*090-301904	Speed Change Cylinder Assembly (C-79, C-80, C-81, C-82, C-179, C-180)	
Ref.	*093-052876	Speed Change Cylinder Assembly (C-1216M, C-1216A, CE-1216A, C-1216A-6, CT-1216M, CT-1216A, C-1213M, C-1213A, CE-1213M, CE-1216A)	
1	105-045207	. 90° Street Elbow.....	1
2	135-089159	. Gasket.....	2
3	114-006059	. Pipe Nipple (1" Long) (Assembly #090-301904).....	1
	114-004492	. Pipe Nipple (2-1/2" Long) (Assembly #093-052876).....	1
4	135-024560	. Hex. Reducer Bushing (Assembly #090-301904).....	1
5	093-034148	. Orifice (.020 Dia.) (Assembly #090-301904).....	1
6	093-090546	. 90° Male Elbow (Assembly #090-301904).....	1
	093-090769	. 90° Female Elbow (Assembly #093-052876).....	1
7	093-090538	. 90° Male Elbow.....	1
8	091-031732	. Spring.....	1
9	091-098848	. Homo. Chevron Packing Ring.....	2
10	090-301912	. Cylinder Head.....	1
11	091-031757	. End Cap.....	1
12	090-070699	. Scraper Ring.....	1
13	090-174566	. Rod End.....	1
14	091-982389	. Screw, Soc. Hd. Cap 1/4-20NC x 5/8.....	4
15	090-035593	. Washer, Lock 1/4 Hi-Collar.....	4
16	091-098830	. Fab. Chevron Packing Ring.....	1
17	090-174541	. Backup Washer.....	1
18	091-333328	. Shim (1/64).....	A.R.
19	091-333336	. Shim (1/32).....	A.R.
20	090-173394	. Rod.....	1
21	090-174418	. Cylinder.....	1
22	091-044750	. Piston.....	1
23	135-091767	. O-Ring.....	1
24	090-089830	. Backup Ring.....	2
25	135-088730	. O-Ring.....	1
26	091-203695	. Pipe Plug.....	1
27	091-980235	. Screw, Hex. Hd. Cap 1/4-20NC x 5-1/2.....	4
28	091-993212	. Washer, Lock 1/4 Std.....	4
29	090-127762	. Self-Lock Nut.....	1
30	090-301920	. End Cap.....	1

\*NOTE: 090-301904 - Used on machines before serial #300-76226 on C-79, #190-76862 on C-80, #342-76115 on C-81, #343-76107 on C-82, #329-76103 on C-179 and #302-76126 on C-180.

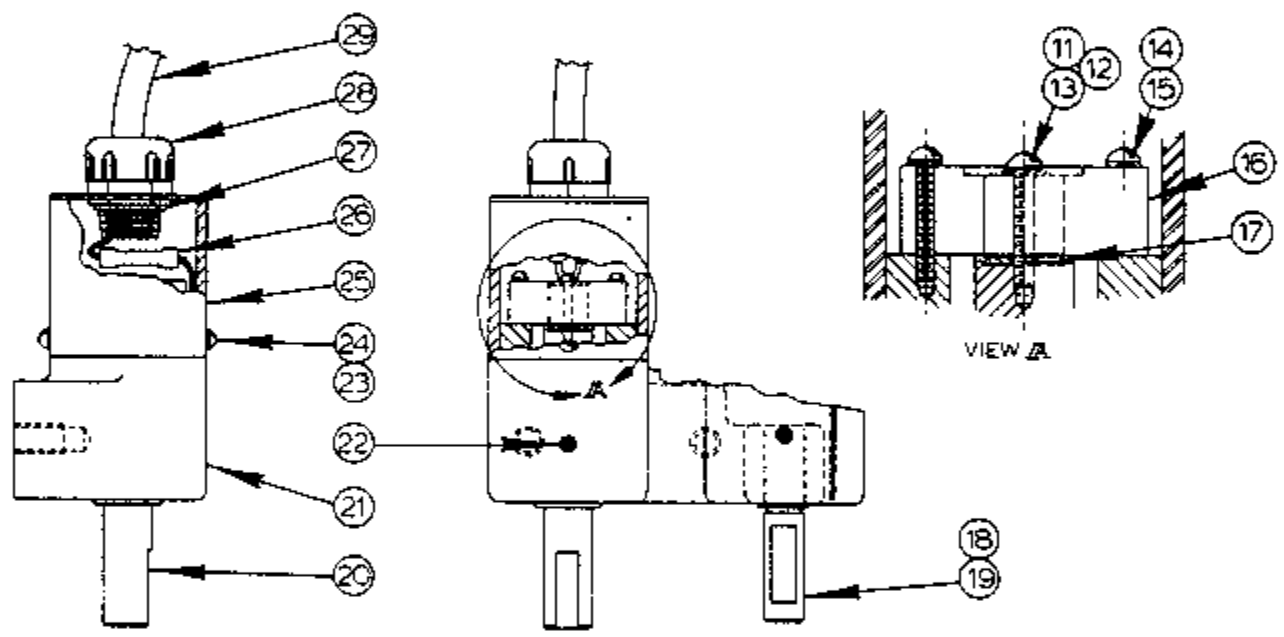
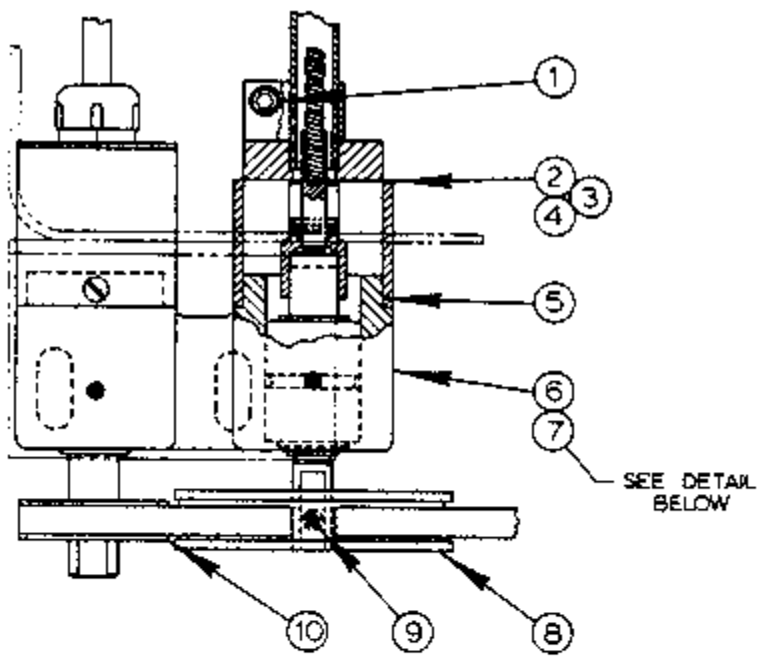
093-052876 - Used on machines with serial number listed in above note and after and all C-1216M, C-1216A, CE-1216A, C-1216A-6, C-1216A-12, CT-1216M, CT-1216A, C-1213M, CE-1213M, C-1213A, CE-1213A.



STOCK TRAY ASSEMBLY

## STOCK TRAY ASSEMBLY

INDEX NO.	CATALOG NO.	DESCRIPTION	UNITS PER ASS'Y.
Ref:	095-001558	Stock Tray Assembly	
1	093-095933	. Lip .....	1
2	091-996579	. Screw, Fl. Hd. Soc. Cap 1/4-20NC x 1-1/4 .....	2
3	091-993212	. Washer, Lock 1/4 Std. ....	2
4	091-991760	. Nut, Hex. 1/4-20NC .....	2
5	091-984716	. Screw, Soc. Set 1/2-20NF x 1 .....	2
6	091-983718	. Screw, Soc. Hd. Cap 3/8-16NC x 1 .....	2
7	093-096840	. Filler Plate .....	1
8	091-983171	. Screw, Fl. Hd. Soc. Cap #10-24NC x 1/2 .....	6
9	094-018975	. Tray Weldment .....	1
10	091-980672	. Screw, Hex. Hd. Cap 1/2-13NC x 1-1/2 .....	4
11	091-993279	. Washer, Lock 1/2 Std. ....	4
12	091-991315	. Nut, Hex. 1/2-13NC .....	4
13	090-556192	. Support Assembly .....	1
14	091-626713	. Screw, Hex. Hd. Cap 1-8NC x 4 .....	2
15	090-124207	. Foot Casting .....	2
16	090-320771	. Screen .....	1
17	090-320797	. Slide Plate .....	1
18	090-320789	. Slide Plate .....	1
19	091-982611	. Screw, Soc. Hd. Cap 5/16-18NC x 1-1/4 .....	5
20	090-395005	. Plate .....	1
21	091-987610	. Screw, Fl. Hd. Mach. 1/4-20NC x 5/8 .....	4



VIBRATAC ASSEMBLY

MODEL	FIRST MACH	LAST MACH
C-79	300-70101	300-77245
C-80	190-70101	190-77988
C-180	302-70101	302-77129
C-81	342-74101	342-77121
C-82	343-74101	343-76107
C-179	329-74101	329-76105
C-1216M	374-77101	374-83234
C-1216A	373-77101	373-83822
C-1216A-6	378-77101	378-79107
CE-1216A	387-77101	387-83174
CT-1216A	385-77101	385-80108
CT-1216M	386-77101	386-83104

TACHOMETER DRIVE ASSEMBLY  
(BAND BRUSH)

## TACHOMETER DRIVE ASSEMBLY

INDEX NO.	CATALOG NO.	DESCRIPTION	UNITS PER ASSY
Ref.	094-039773	Tachometer Drive Assembly (Band Brush)	
1	091-982397	. Screw, Soc. Hd. Cap 1/4-20NC x 3/4.....	1
2	091-406637	. Cover Weldment.....	1
3	091-988402	. Screw, Rd. Hd. Mach. #6-32NC x 3/8.....	2
4	091-993170	. Washer, Lock #6 Std. ....	2
5	091-353151	. Adhesive Sealant Silicate.....	A. R.
6	135-017754	. Grease Fitting.....	1
7	093-016616	. Vibratoc Assembly ( See Below).....	1
* 8	091-496042	. Friction Wheel.....	1
9	091-984252	. Screw, Soc. Set 1/4-20NC x 1/2.....	2
10	091-026666	. Pulley.....	1

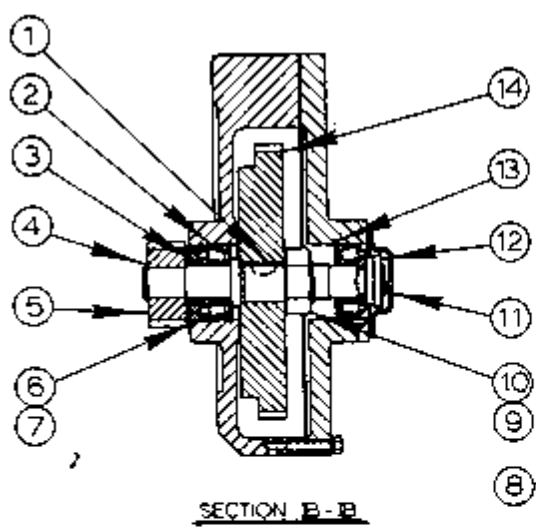
\*NOTE: 091-496042 was 091-166348 Friction Wheel Before Serial #374-79129 on C-1216M, #373-79270 on C-1216A, #38579105 on CT-1216A, #387-79120 on CE-1216A, #386-83104 on CT-1216M and on All C-1216A-6.

Ref.	090-380445	Vibratoc Assembly (See Note Below)	
Ref.	093-016616	Vibratoc Assembly (See Note Below)	
11	091-988360	. Screw, Rd. Hd. Mach. #5-40NC x 3/4.....	1
12	091-993642	. Washer, Lock #5 Shakeproof Int. ....	1
** 13	091-480418	. Adaptor/Isolator.....	1
14	091-989194	. Screw, Rd. Hd. Mach. #4-40NC x 3/4.....	2
15	091-993154	. Washer, Lock #4 Std. ....	2
16	091-198341	. Vibratoc.....	1
17	091-318089	. Loctite (Grade HV).....	A. R.
18	091-285643	. Adapter (#093-016616 Only).....	1
19	106-054067	. Speed Omdocatpr Shaft and Bearing (#093-016616 Only).....	1
20	091-198325	. Bearing.....	1
21	090-380436	. Bearing Housing (#090-380445).....	1
	094-038205	. Bearing Housing (#093-016616).....	1
22	091-985606	. Screw, Soc. Set #10-24NC x 5/16 (Cane Pt.).....	1
23	091-988402	. Screw, Rd. Hd. Mach. #6-32NC x 3/8.....	2
24	091-993170	. Washer, Lock #6 Std. ....	2
25	091-198390	. Cover Weldment.....	1
26	091-323681	. Butt Connector.....	2
27	090-195439	. Bond Nut.....	1
28	090-151390	. Cord Grip Connector.....	1
29	091-972174	. Belden Cord (#18-2 Conductor).....	A. R.

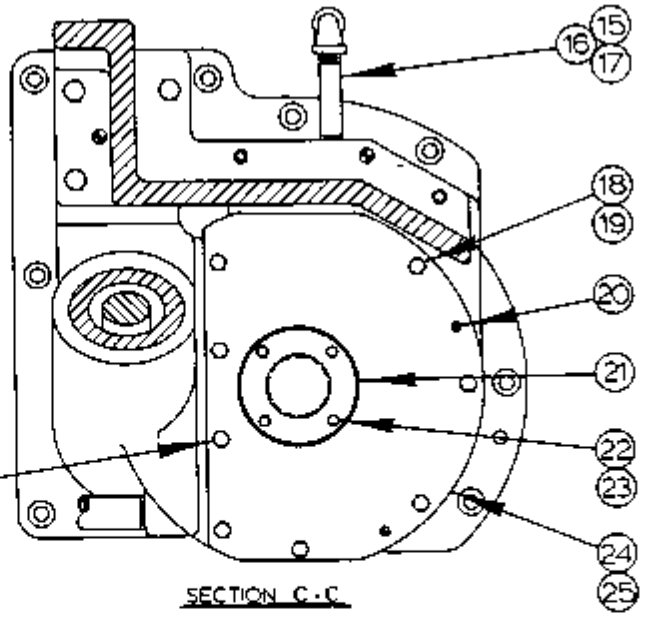
NOTE: Vibratoc Assembly 093-016616 was Vibratoc Assembly 090-380445 Before Serial #300-72117 on C-79, #190-72255 on C-80, and #30272104 on C-180.

\*\*NOTE: Item #13, 091-480418 Adaptor/Isolator was First Used After Serial #374-78117 on C-1216M, #373-78219 on C-1216A, #378-78105 on C-1216A-6, and #387-78107 on CE-1216A and Used on All CT-1216M, CT-1216A, C-1213A, CE-1213A, C-1213M, CE-1213M Machines.

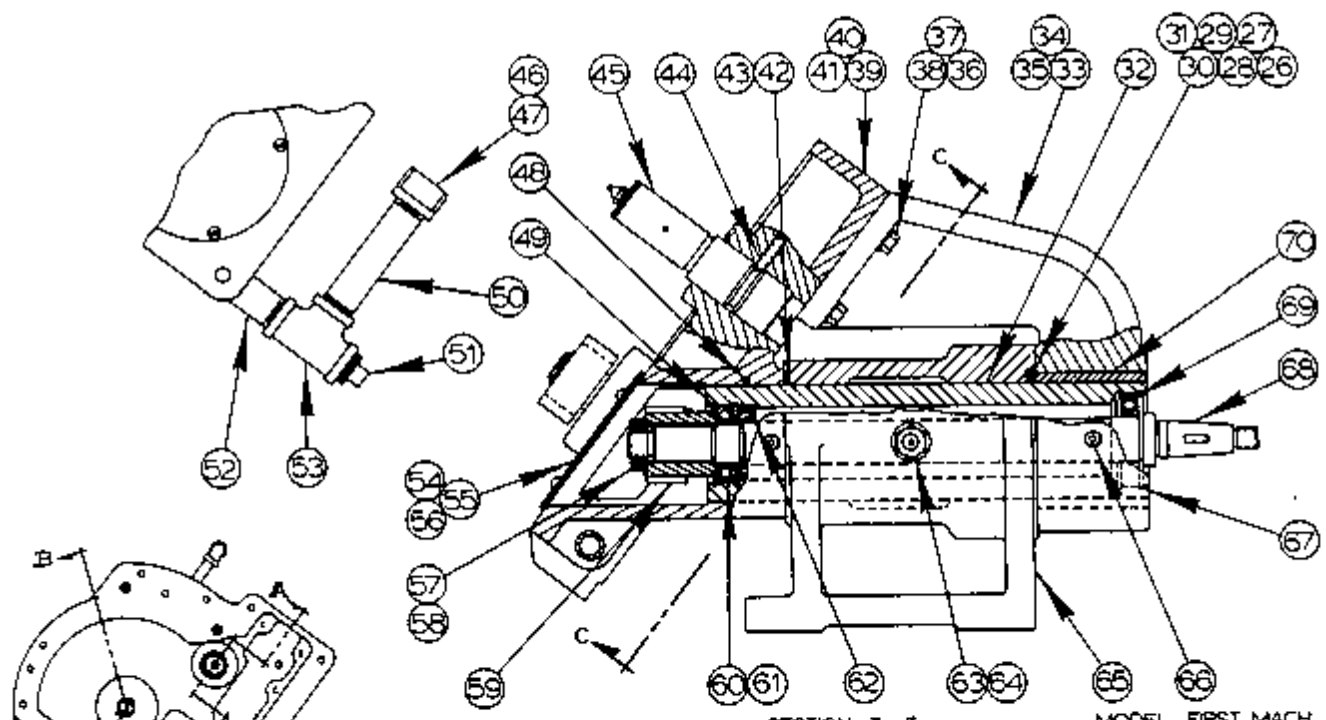
REVISED AND  
 REDRAWN  
 SCL 7-29-82



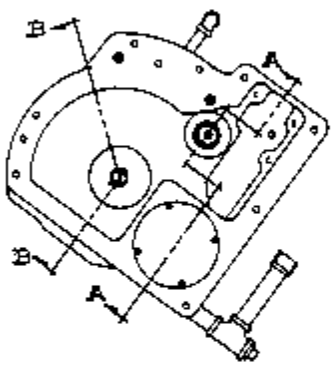
SECTION B-B



SECTION C-C



SECTION A-A



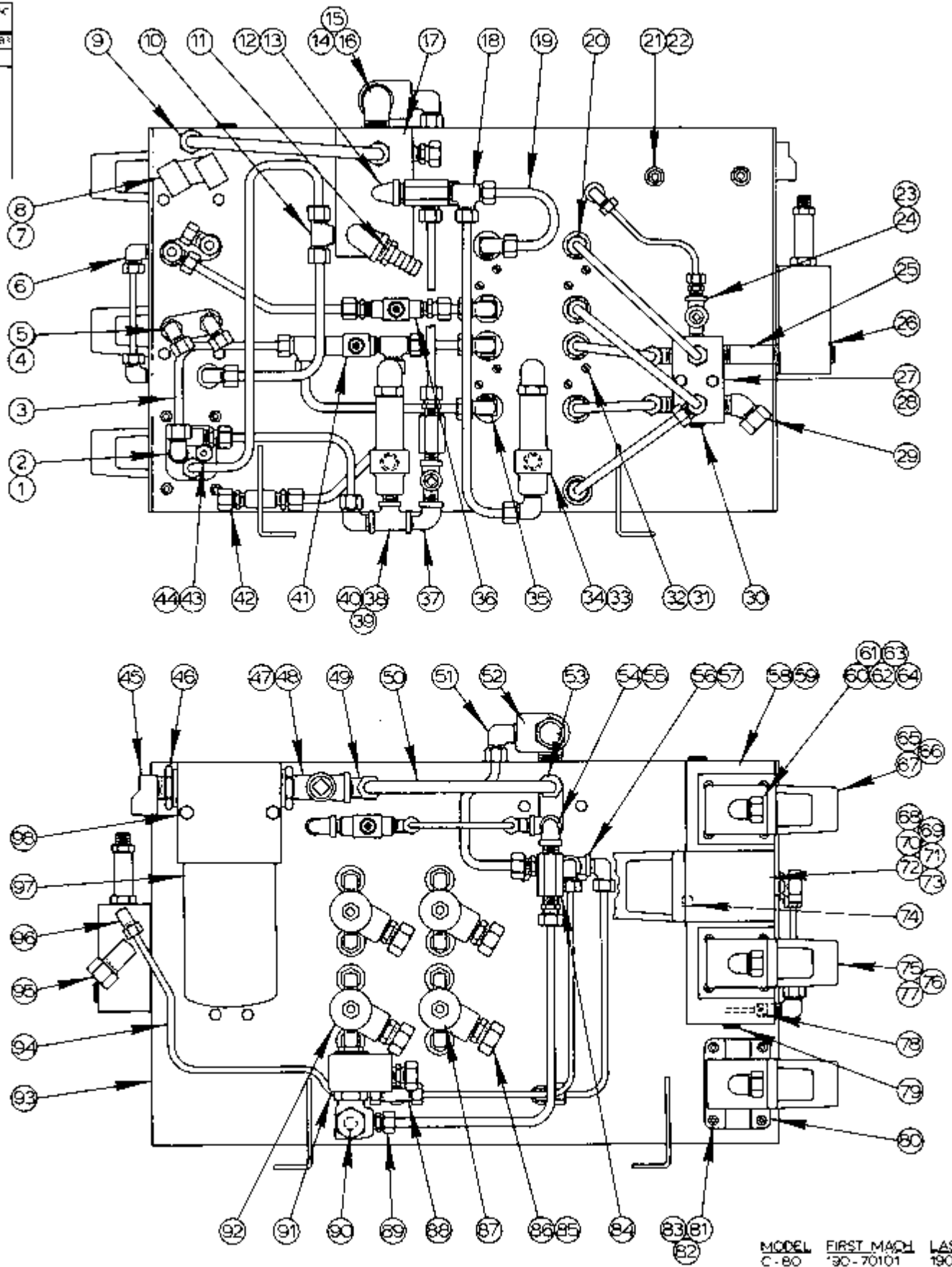
TRANSMISSION ASSEMBLY

MODEL	FIRST MACH	LAST MACH
C-79	300-70101	300-77245
C-80	190-70101	190-77988
C-81	342-74101	342-77121
C-82	343-74101	343-76107
C-179	329-74101	329-76105
C-180	302-70101	302-77129
C-1216M	374-77101	374-83234
C-1216A	373-77101	373-83822
C-1216A-6	378-77101	378-79107
CE-1216A	387-77101	387-83174
CT-1216M	386-77101	386-83104
CT-1216A	385-77101	385-80108
C-1216M	424-83101	
CE-1216M	427-83101	
C-1216A	423-82101	
CE-1216A	428-83101	
CT-1216M	426-83101	
CT-1216A	425-83101	

## TRANSMISSION ASSEMBLY

INDEX NO. Ref.	PART NO.	DESCRIPTION	UNITS PER ASS'Y
	095-000519	Transmission Assembly	
1	105-046023	. Woodruff Key.....	3
2	091-156331	. Roller Bearing.....	2
3	091-156125	. Sleeve.....	1
4	091-073270	. Retaining Ring.....	1
5	093-113454	. Pinion Gear.....	1
6	091-152199	. Oil Seal.....	1
7	091-156133	. Sleeve.....	1
8	091-150896	. Ring Gasket.....	3
9	091-991471	. Nut, Hex. Jam 1-14NF.....	1
10	091-993790	. Washer, Lock 1" Shakeproof Ext.....	1
11	090-328436	. Drive Gear Shaft.....	1
12	105-015077	. Bearing Lockwasher.....	1
13	091-016071	. Retaining Ring.....	2
14	090-219445	. Bull Gear.....	1
15	135-004943	. Pipe Nipple.....	1
16	135-005197	. 90° Pipe Elbow.....	1
17	117-135210	. 90° Street Pipe Elbow.....	1
18	091-980300	. Screw, Hex. Hd. Cap 5/16-18NC x 1-1/4.....	8
19	091-993238	. Washer, Lock 5/16 Std.....	5
20	135-005163	. Dowel Pin.....	2
21	091-090308	. Cap.....	1
22	091-095711	. Gasket.....	1
23	091-980011	. Screw, Hex. Hd. Cap #10-24NC x 1/2.....	4
24	090-385709	. Transmission Cover.....	1
25	090-385717	. Gasket.....	3
26	091-027185	. Thrust Bearing.....	1
27	091-181008	. Thrust Race (.062).....	A.R.
28	091-181016	. Thrust Race (.0552).....	A.R.
29	091-181024	. Thrust Race (.0572).....	A.R.
30	091-181032	. Thrust Race (.0582).....	A.R.
31	091-181040	. Thrust Race (.0602).....	A.R.
*32	093-120442	. Pivot Shaft.....	1
33	094-017266	. Transmission Housing Sub-Assembly.....	1
34	095-000535	. Bracket.....	1
35	090-110511	. Dowel Pin.....	1
36	091-980474	. Screw, Hex. Hd. Cap 3/8-16NC x 1-1/4.....	3
37	091-992644	. Washer, Flat 3/8 S.A.E. Std.....	3
38	091-993766	. Washer, Lock 3/8 Shakeproof Ext.....	3
39	095-000523	. Transmission Housing.....	1
40	114-004732	. Dowel Pin.....	1
41	091-982850	. Screw, Soc. Hd. Cap 3/8-16NC x 2-1/2.....	1
42	091-027193	. Bearing.....	1
43	091-026533	. Thrust Race.....	2
44	091-151738	. Screw, Soc. Set 3/8-16NC x 1 (NYLOK).....	1
45	091-208660	. Shaft.....	1
46	090-060088	. Pipe Cap.....	1
47	091-384420	. Gear Oil.....	A.R.
48	091-148270	. Ring.....	1
49	090-011388	. Retaining Ring.....	1
50	091-147215	. Pipe Nipple.....	1
51	090-012766	. Sq. Hd. Pipe Plug.....	1
52	114-115454	. Pipe Nipple.....	1
53	135-033777	. Tee.....	1
54	091-164376	. Cover.....	1
55	091-164921	. Gasket.....	1
56	091-983675	. Screw, Rd. Hd. Mach. #10-24NC x 3/8.....	4
57	105-015069	. Bearing Locknut.....	2
58	091-218099	. Bearing Lockwasher.....	1
59	091-025625	. Gear.....	1
60	090-081621	. Bearing.....	1
*61	091-318089	. Loctite ("HV").....	A.R.
*62	091-562017	. Oil Seal.....	1
63	091-984666	. Screw, Soc. Set 1/2-13NC x 1.....	1
64	091-991323	. Nut, Hex. Jam 1/2-13NC.....	1
65	094-004173	. Mounting Bracket.....	1
66	135-017754	. Grease Fitting.....	3
67	090-030354	. Retaining Ring.....	1
68	090-375098	. Drive Shaft.....	1
69	090-048463	. Ball Bearing.....	1
70	090-298795	. Bushing.....	1

\*NOTE: Item #32 was 090-298779 Before Serial #374-82222 On C-1216N, #373-82800 On C-1216A, #387-82174 On CE-1216A, And 090-298779 Used On All Other Models Listed. Item #61 And #62 Used With 093-120442 Pivot Shaft Only.



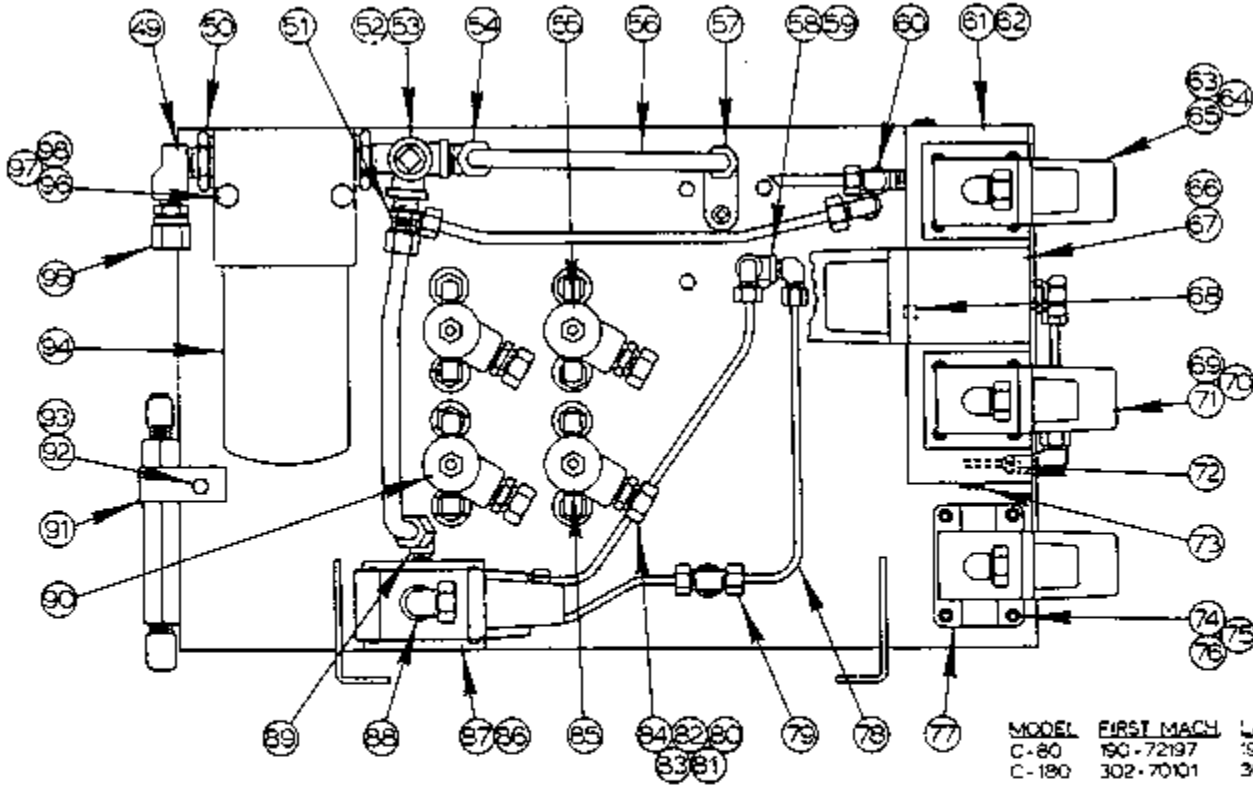
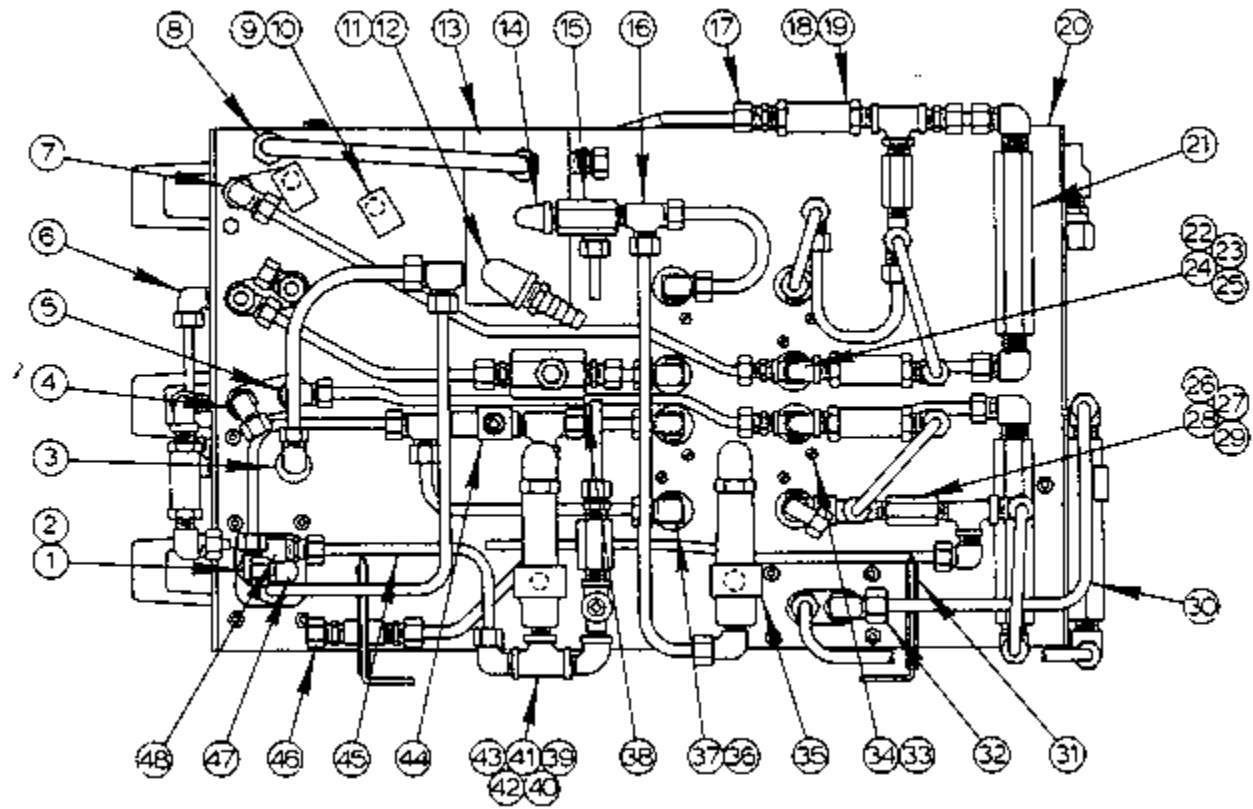
MODEL	FIRST MACH	LAST MACH
C-80	'90-70101	190-72'96

VALVE PANEL ASSEMBLY

## VALVE PANEL ASSEMBLY

INDEX NO.	PART NO.	DESCRIPTION	UNITS PER ASS'Y	INDEX NO.	PART NO.	DESCRIPTION	UNITS PER ASSY
Ref.	095-000600	Valve Panel Assembly		60	090-145020	. 90° Sealtite Connector.....	3
1	093-090801	. 90° Female Elbow.....	4	61	091-971556	. Sealtite Conduit.....	A.R.
2	135-009850	. Nipple.....	1	62	091-971903	. Wire, #14 Red (Nylon Jacket).....	A.R.
3	091-971382	. Nylon Tubing 3/8 O.D.....	A.R.	63	090-144114	. Flange Washer.....	3
4	105-115174	. Hex. Reducer Bushing.....	6	64	090-145053	. O-Ring.....	3
5	090-121187	. Nipple.....	2	65	091-224153	. Solenoid Valve (60 Hz).....	3
6	093-090538	. 90° Male Elbow (1/8 Thread)...	1	091-247658	. Solenoid Valve (50 Hz).....	3	
7	091-209031	. 90° Elbow (Brass).....	4	66	091-982413	. Screw, Soc. Hd. Cap 1/4-20NC x 7/8.....	8
8	135-004919	. Nipple.....	2	67	090-035593	. Washer, Lock 1/4 Hi-Collar.....	8
9	093-090140	. Male Connector.....	2	68	091-320531	. Solenoid Valve (60 Hz).....	1
10	093-091486	. Male Branch Tee.....	1	091-370874	. Solenoid Valve (50 Hz).....	1	
11	091-209049	. Barbed Insert.....	1	69	091-982462	. Screw, Soc. Hd. Cap 1/4-20NC x 1-3/4.....	4
12	093-034106	. Orifice (.033 Dia.).....	1	70	090-348376	. Housing.....	1
13	114-035074	. Close Nipple.....	5	71	091-146068	. Gasket.....	1
14	114-003478	. 90° Street Elbow.....	2	72	091-988162	. Screw, Rd. Hd. Mach #8-32NC x 2.....	4
15	135-003002	. Hex. Reducer Bushing.....	1	73	091-137372	. Pipe Plug.....	2
16	135-011278	. Close Nipple.....	1	74	091-203695	. Pipe Plug.....	1
17	094-017449	. Manifold.....	1	75	094-008885	. Transition Plate.....	2
18	093-091254	. Male Run Tee.....	7	76	091-982256	. Screw, Soc. Hd. Cap #10-24NC x 1.....	12
19	091-971309	. Steel Tubing 3/8 O.D.....	A.R.	77	090-121443	. Washer, Lock #10 Hi-Collar.....	12
20	093-090587	. 90° Male Elbow.....	8	78	091-209023	. Orifice (.0135 Dia.).....	1
21	091-991307	. Nut, Hex. Jam 7/16-14NC.....	2	79	091-233288	. Pipe Plug.....	3
22	091-993261	. Washer, Lock 7/16 Std.....	2	80	090-382813	. Sub Plate.....	1
23	135-008472	. Service Tee.....	3	81	091-982413	. Screw, Soc. Hd. Cap 1/4-20NC x 7/8.....	4
24	106-046122	. Pipe Plug.....	2	82	091-991158	. Nut, Hex. 1/4-20NC.....	6
25	135-009843	. Pipe Nipple.....	1	83	091-993212	. Washer, Lock 1/4 Std.....	14
26	091-237651	. Sequence Valve.....	1	84	091-022459	. Check Valve.....	1
27	090-390618	. Manifold.....	1	85	090-144833	. Sealtite Connector.....	6
28	091-980169	. Screw, Hex. Hd. Cap 1/4-20NC x 2-1/2.....	2	86	091-338269	. Wire Connector.....	18
29	093-090983	. 45° Male Elbow.....	1	87	091-230789	. Solenoid Valve (60 Hz).....	1
30	091-227488	. Pipe Plug.....	1	88	091-230797	. Solenoid Valve (50 Hz).....	1
31	091-988857	. Screw, Rd. Hd. Mach. #10-32NF x 1/2.....	8	89	093-091452	. Male Branch Tee.....	1
32	091-993196	. Washer, Lock #10 Std.....	8	90	093-090108	. Male Connector.....	12
33	091-236554	. Relief Valve.....	1	91	135-023430	. Nipple.....	2
34	093-090579	. 90° Male Elbow.....	2	92	091-228544	. Solenoid Valve (60 Hz).....	1
35	135-069896	. 90° Street Elbow (Brass).....	4	93	091-228593	. Solenoid Valve (50 Hz).....	1
36	091-408476	. Needle Valve.....	2	94	091-221200	. Solenoid Valve (50/60 Hz).....	3
37	117-135210	. 90° Street Elbow.....	3	95	095-005526	. Panel Weldment.....	1
38	135-024743	. Pipe Tee.....	1	96	091-971374	. Nylon Tubing 1/4 O.D.....	A.R.
39	091-236547	. Relief Valve.....	1	97	093-090611	. 90° Male Elbow.....	1
40	093-034171	. Orifice (.047 Dia.).....	1	98	093-090546	. 90° Male Elbow.....	8
41	091-224857	. Restrictor Valve (w/65 P.S.I. Spring).....	1	99	091-163865	. Oil Filter Assembly (Purolator)...	1
42	093-090058	. Male Connector.....	2	091-163873	. Filter Element.....	1	
43	093-090322	. Female Connector.....	1	091-981134	. Screw, Hex. Hd. Cap 7/16-14NC x 4-3/4.....	2	
44	135-004943	. Nipple.....	1				
45	091-209031	. 90° Street Elbow (Brass).....	1				
46	091-244681	. Female Pipe Adaptor.....	2				
47	090-036674	. Service Tee.....	1				
48	090-012766	. Pipe Plug.....	1				
49	093-090637	. 90° Male Elbow.....	1				
50	091-971317	. Steel Tubing 1/2 O.D.....	A.R.				
51	093-090595	. 90° Male Elbow.....	3				
52	091-237826	. Relief Valve.....	1				
53	093-090165	. Male Connector.....	2				
54	135-005197	. 90° Elbow.....	1				
55	090-112608	. Nipple.....	2				
56	135-008506	. Pipe Cross.....	1				
57	090-102245	. Nipple.....	2				
58	094-017456	. Manifold.....	1				
59	091-980078	. Screw, Hex. Hd. Cap 1/4-20NC x 5/8.....	8				

NOTE: Item #97 was 091-211128 (Schroeder Brothers) and 091-211136 Filter Element before Serial #190-71144.



MODEL	FIRST MACH	LAST MACH
C-80	190-72197	190-76922
C-180	302-70101	302-78128

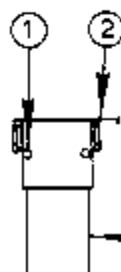
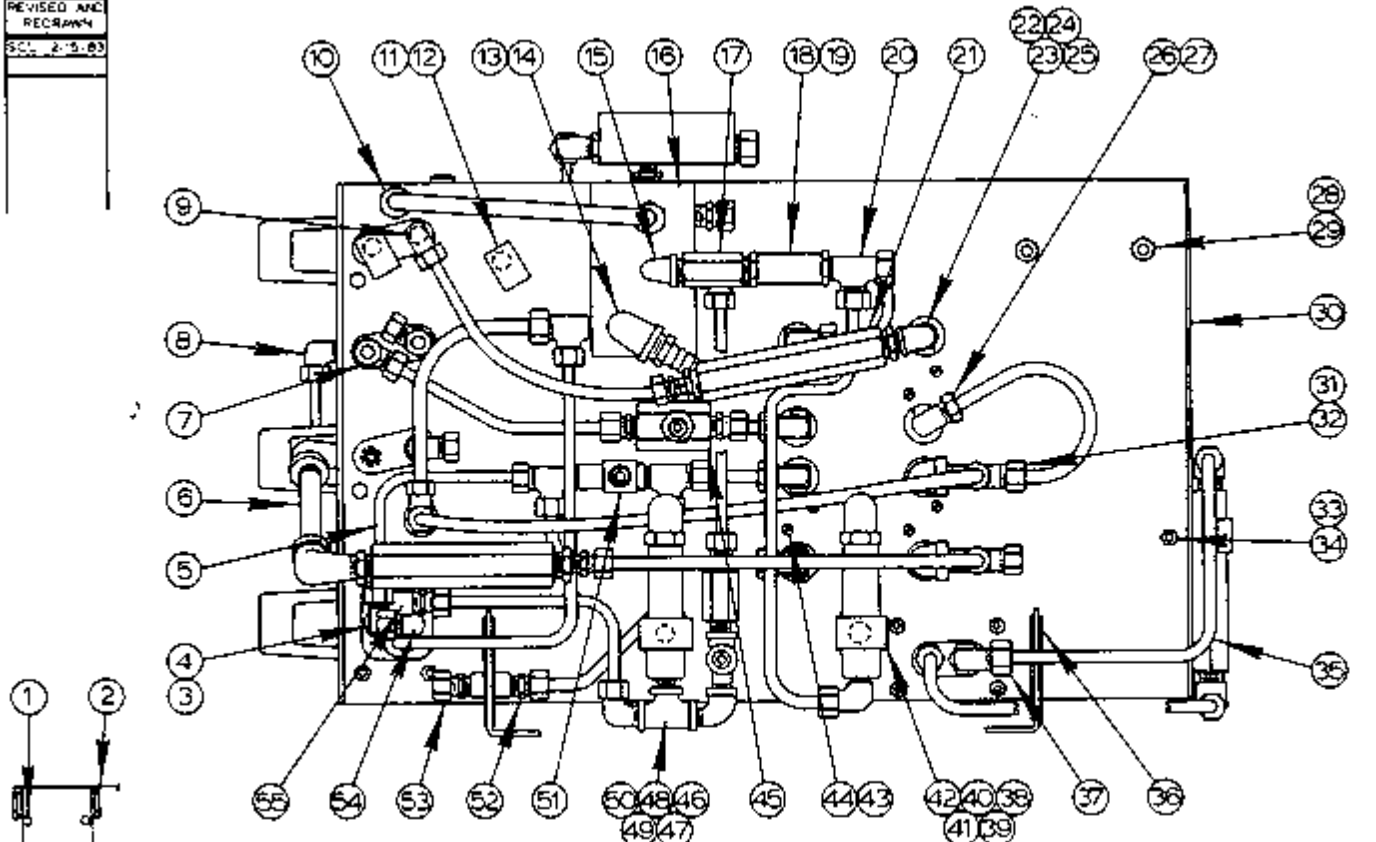
VALVE PANEL ASSEMBLY

## VALVE PANEL ASSEMBLY

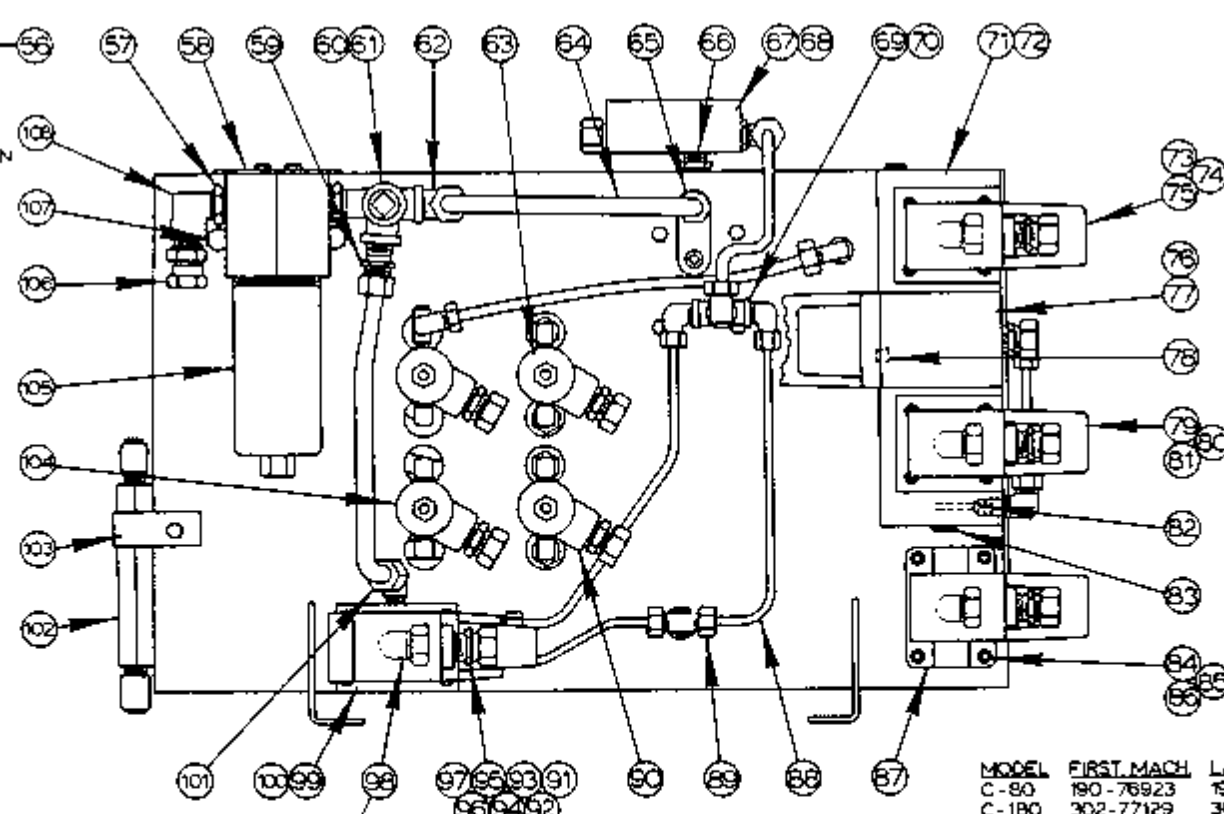
INDEX NO.	PART NO.	DESCRIPTION	UNITS PER ASSY	INDEX NO.	PART NO.	DESCRIPTION	UNITS PER ASSY
Ref.	095-012084	Valve Panel Assembly		59	093-090546	90° Male Elbow.....	5
1	093-090801	90° Female Elbow.....	4	60	093-090579	90° Male Elbow.....	11
2	135-009850	Nipple.....	2	61	094-017456	Manifold.....	1
3	090-112608	Nipple.....	3	62	091-980078	Screw, Hex. Hd. Cap 1/4-20NC x 5/8.....	8
4	090-121187	Nipple.....	2	*63	091-380626	Solenoid Valve (50/60 Hz).....	4
5	093-090595	90° Male Elbow.....	1	64	091-982256	Screw, Soc. Hd. Cap #10-24NC x 1.....	12
6	093-090538	90° Male Elbow.....	4	65	090-121443	Washer, Lock #10 HI-Collar.....	12
7	105-115174	Hex. Reducer Bushing.....	4	66	091-387696	Solenoid Valve (60 Hz).....	1
8	093-090140	Male Connector.....	2	67	091-395251	Solenoid Valve (50 Hz).....	1
9	091-209049	90° Elbow (Brass).....	4	67	091-982462	Screw, Soc. Hd. Cap 1/4-20NC x 1-3/4.....	4
10	135-004919	Nipple.....	2	68	091-203695	Pipe Plug.....	1
11	114-003478	90° Street Elbow.....	1	69	094-008885	Transition Plate.....	2
12	091-209049	Barbed Insert.....	1	70	091-982413	Screw, Soc. Hd. Cap 1/4-20NC x 7/8.....	8
13	094-017441	Manifold.....	1	71	090-035593	Washer, Lock 1/4 HI-Collar.....	8
14	091-196279	90° Street Elbow.....	5	72	091-209023	Orifice (.0135 Dia).....	1
15	093-034106	Orifice (.033 Dia).....	1	73	091-233288	Pipe Plug.....	2
16	093-091254	Male Run Tee.....	9	74	091-982413	Screw, Soc. Hd. Cap 1/4-20NC x 7/8.....	4
17	093-090108	Male Connector.....	11	75	091-991158	Nut, Hex. 1/4-20NC.....	8
18	091-032938	Check Valve.....	5	76	091-993212	Washer, Lock 1/4 Std.....	16
19	114-035074	Close Nipple.....	11	77	090-382813	Sub-Plate.....	1
20	095-016135	Panel Weldment.....	1	78	091-971374	Nylon Tubing 1/4 O.D.....	A.R.
21	093-008423	Shot Spool Assembly.....	3	79	093-091452	Male Branch Tee.....	1
	093-090603	90° Male Elbow.....	2	80	090-145459	Sealtite Connector.....	5
	091-256685	Body.....	1	81	091-971564	Sealtite Conduit 1/2".....	A.R.
	091-256677	Spool.....	1	82	091-971903	Wire, #14 Red (Nylon Jacket).....	A.R.
	091-257295	Quad Ring Seal.....	1	83	091-971879	Wire, #14 White (Nylon Jacket).....	A.R.
22	090-152224	90° Reducer Elbow.....	2	84	091-338269	Wire Connector.....	20
23	091-335414	Pipe Cross.....	2	85	091-230789	Solenoid Valve (60 Hz).....	1
24	093-090116	Male Connector.....	4	86	091-230797	Solenoid Valve (50 Hz).....	1
25	090-116583	Pipe Nipple (1-1/4" long).....	2	87	093-008449	Sub-Plate.....	1
26	090-133836	Female to Male Run Tee.....	1	88	090-145046	90° Sealtite Connector.....	4
27	093-034148	Orifice (.020 Dia).....	4	89	093-090629	90° Male Elbow.....	1
28	114-145287	Close Nipple.....	1	90	091-221101	Solenoid Valve (60 Hz).....	2
29	135-024560	Hex. Reducer Bushing.....	1	91	091-221135	Solenoid Valve (50 Hz).....	2
30	091-971309	Steel Tubing 3/8 O.D.....	A.R.	92	091-259366	Clamp.....	1
31	091-971069	Channel.....	A.R.	93	091-980011	Screw, Hex. Hd. Cap #10-24NC x 1/2.....	1
32	093-090629	90° Male Elbow.....	1	**94	091-991117	Nut, Hex. #10-24NC.....	1
33	091-988840	Screw, Rd. Hd. Mach. #10-32NF x 3/8.....	8	**	091-163865	Oil Filter Assembly (Purolator).....	1
					091-163873	Filter Element.....	1
34	091-993196	Washer, Lock #10 Std.....	9	95	090-031774	Swivel Adaptor Union.....	1
35	091-389668	Relief Valve.....	1	96	091-981027	Screw, Hex. Hd. Cap 7/16-14NC x 5.....	2
36	105-275059	90° Street Elbow (Brass).....	7	97	091-991307	Nut, Hex. Jam 7/16-14NC.....	2
37	093-090587	90° Male Elbow.....	5	98	091-993261	Washer, Lock 7/16 Std.....	2
38	091-408476	Needle Valve.....	1				
39	093-034171	Orifice (.047 Dia).....	1				
40	105-046122	Pipe Plug.....	2				
41	091-236547	Relief Valve.....	1				
42	135-023430	Nipple.....	2				
43	091-208579	Service Tee.....	1				
44	091-224857	Restrictor Valve (w/65 P.S.I. Spring).....	1				
45	091-971382	Nylon Tubing 3/8 O.D.....	A.R.				
46	093-090058	Male Connector.....	2				
47	135-003069	Coupling.....	1				
48	090-102245	Nipple.....	1				
49	091-209031	90° Street Elbow (Brass).....	2				
50	091-244681	Female Pipe Adaptor.....	2				
51	093-090165	Male Connector.....	1				
52	091-335406	Service Tee.....	2				
53	090-012766	Pipe Plug.....	1				
54	093-090637	90° Male Elbow.....	1				
55	091-221200	Solenoid Valve (50/60 Hz).....	1				
56	091-971317	Steel Tubing 1/2 O.D.....	A.R.				
57	093-090165	Male Connector.....	2				
58	090-147141	Pipe Tee.....	3				

\* NOTE: Item #63 was 091-224154 before Serial #190-76896 on C-80 and #302-76127 on C-180.

\*\* NOTE: Item #94 was 091-211128 Oil Filter and 091-211136 Filter Element before Serial #190-71144 on C-80 and #302-71102 on C-180.



PUROLATOR  
FILTER  
CONFIGURATION



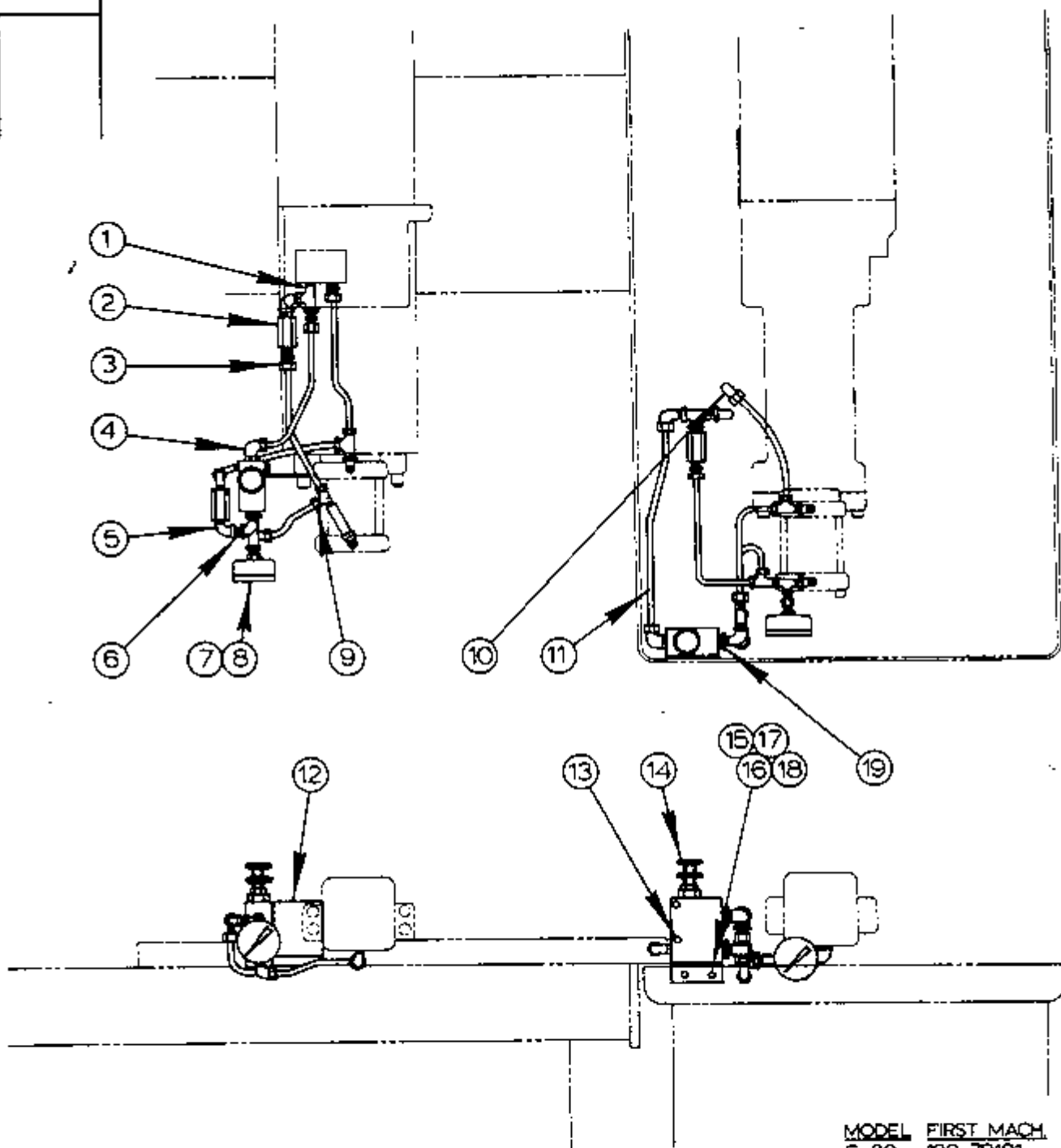
ON SOME VALVE  
CONFIGURATIONS

VALVE PANEL ASSEMBLY

MODEL	FIRST MACH	LAST MACH
C-80	190-76923	190-77988
C-180	302-77129	302-77129
C-1215A	373-77101	373-83622
CE-1216A	387-77101	387-83174
CT-1215A	385-77101	385-80108

## VALVE PANEL ASSEMBLY

INDEX NO.	PART NO.	DESCRIPTION	UNITS PER ASSY	INDEX NO.	PART NO.	DESCRIPTION	UNITS PER ASSY
Ref.	095-012004	Valve Panel Assembly (C-80, C-180)			091-487348	Solenoid Valve (50 Hz, 220V) (CE-1216A)	1
Ref.		Valve Panel Assembly (C-1216A, CE-1216A, CT-1216A)			091-971317	Steel Tubing 1/2" O.D.	A.R.
1	091-981027	Screw, Hex. Hd. Cap 7/16-14NC x 5/8	2	65	093-090165	Male Connector	2
2	091-244681	Female Pipe Adaptor	2	66	091-148783	Hex. Reducer Bushing	1
3	093-090801	90° Female Elbow	3	67	091-622241	Relief Valve	1
4	135-009850	Pipe Nipple	3	68	091-079780	Close Nipple	1
5	091-971382	Nylon Tubing 3/8 O.D.	A.R.	69	091-179853	Pipe Cross (C-80, C-180)	1
6	135-004919	Pipe Nipple	1		135-008506	Pipe Cross (C-1216A, CE-1216A, CT-1216A)	1
7	105-115174	Hex. Reducer Bushing	6	70	093-090546	90° Male Connector	7
8	093-090538	90° Male Elbow	1	71	094-017456	Manifold	1
9	090-112608	Pipe Nipple	2	72	091-980078	Screw, Hex. Hd. Cap 1/4-20NC x 5/8	8
10	093-090140	Male Connector	2	73	091-528800	Directional Control Valve (50/60 Hz)	4
11	091-209056	90° Elbow (Brass)	4		091-528182	Directional Control Valve (50 Hz, 220V Only)	4
12	135-004919	Pipe Nipple	2	74	091-982256	Screw, Soc. Hd. Cap #10-24NC x 1	12
13	114-003478	90° Street Elbow	1	75	090-121443	Washer, Lock #10 HI-Collar	12
14	091-209049	Barbed Insert	1	76	091-528018	Solenoid Valve (50/60 Hz)	1
15	091-196279	90° Street Elbow	4	77	091-982462	Solenoid Valve (50 Hz, 220V Only)	1
16	094-017441	Manifold	1			Screw, Soc. Hd. Cap 1/4-20NC x 1-3/4	4
17	093-034106	Orifice (.033 Dia)	1	78	091-203695	Pipe Plug	2
18	091-032938	Check Valve	2	79	091-873137	Transition Plate	2
19	114-035074	Close Nipple	6	80	091-982413	Screw, Soc. Hd. Cap 1/4-20NC x 7/8	3
20	093-091254	Male Run Tee	3	81	090-035593	Washer, Lock 1/4 HI-Collar	8
21	093-034411	Shot Spool Assembly	2	82	091-209023	Orifice 1.0135 Dia	1
	093-034433	Body	1	83	091-233288	Pipe Plug	3
	090-175373	Hex. Reducer Bushing	1	84	091-982413	Screw, Soc. Hd. Cap 1/4-20NC x 7/8	4
	093-034395	Spool	1	85	091-991158	Nut, Hex. 1/4-20NC	8
	090-018581	Steel Ball	1	86	091-993212	Washer, Lock 1/4 Std.	16
	091-324244	Spring	1	87	091-673160	Sub-Plate	1
	091-257295	Quad Ring Seal	1	88	091-971374	Nylon Tubing 1/4 O.D.	A.R.
	090-042516	Roll Pin	1	89	093-091452	Male Branch Tee	1
	091-324251	Screw 3/8-24NF x 5/16	1	90	091-230789	Solenoid Valve (50 Hz) (C-80, C-180, C-1216A, CT-1216A)	2
22	135-005197	90° Elbow (C-80, C-180)	1		091-231797	Solenoid Valve (50 Hz) (C-80, C-180, C-1216A, CT-1216A)	1
	090-152224	90° Reducer Elbow (C-1216A, CE-1216A, CT-1216A)	1		091-475525	Solenoid Valve (50 Hz, 110V) (CE-1216A)	1
23	090-099250	Pipe Nipple	1	91	091-468884	Solenoid Valve (50 Hz, 220V) (CE-1216A)	1
24	091-335414	Pipe Cross	1	92	090-185459	Sealrite Connector	9
25	135-024560	Hex. Reducer Bushing	2	93	091-971564	Sealrite Conduit 1/2"	A.R.
26	093-090587	90° Male Elbow	6	94	091-971903	Wire, #14 Red (Nylon Jacket)	A.R.
27	105-275069	90° Street Elbow	7		091-971879	Wire, #14 White (Nylon Jacket)	A.R.
28	091-991307	Nut, Hex. Jam 7/16-14NC	2		091-971952	Wire, #14 Flammal Green/Yellow (CE-1216A)	A.R.
29	091-993261	Washer, Lock 1/16 Std.	2	95	091-338269	Wire Connector	A.R.
30	095-016135	Panel Mounting	1	96	091-323691	Butt Connector (C-1216A, CE-1216A, CT-1216A)	6
31	090-152224	90° Reducer Elbow (C-80, C-180)	2	97	091-229401	Connector (C-1216A, CE-1216A, CT-1216A)	8
	093-091874	Female Run Tee (C-1216A, CE-1216A, CT-1216A)	2	98	090-145046	90° Sealrite Connector (on some valve configurations)	5
32	114-145287	Close Nipple (C-80, C-180)	1	99	093-008449	Sub-Plate	1
	091-059230	Close Nipple (C-1216A, CE-1216A, CT-1216A)	3	100	091-982488	Screw, Soc. Hd. Cap 1/4-20NC x 2-1/4	4
33	091-980011	Screw, Hex. Hd. Cap #10-24NC x 1/2	1	101	093-090628	90° Male Elbow	1
34	091-991117	Nut, Hex. #10-24NC	1	102	093-008423	Shot Spool Assembly	1
35	091-971309	Steel Tubing 3/8 O.D.	A.R.		093-090603	90° Male Elbow	2
36	091-971069	Channel (C-80, C-180 Only)	A.R.		091-256585	Body	1
37	093-090628	90° Male Elbow	1		091-256677	Spool	1
38	091-622233	Relief Valve w/Sealing Wire Assembly (C-80, C-180)	1		091-257295	Quad Ring Seal	1
	091-491589	Relief Valve (50 Hz) (C-1216A, CT-1216A)	1	103	091-259386	C-Plate	1
	091-581365	Relief Valve (50 Hz) (C-1216A, CE-1216A, CT-1216A)	1	104	091-221191	Solenoid Valve (50 Hz) (C-80, C-180, C-1216A, CT-1216A)	2
39	093-090579	90° Male Elbow (C-80, C-180, C-1216A, CT-1216A)	4		091-221125	Solenoid Valve (50 Hz) (C-80, C-180, C-1216A, CT-1216A)	2
40	093-090595	90° Male Elbow (CE-1216A)	1		091-475533	Solenoid Valve (50 Hz, 110V) (CE-1216A)	2
41	091-389700	Seal Wire (CE-1216A)	1		091-468892	Solenoid Valve (50 Hz, 220V) (CE-1216A)	2
42	091-353151	Silicate Sealant Adhesive (CE-1216A)	A.R.	105	091-163865	Oil Filter Assembly (Schroeder Brothers)	1
43	091-988840	Screw, Rd. Hd. Mach. #10-32NF x 3/8	8		091-647206	Filter Element	1
44	091-993196	Washer, Lock #10 Std.	8	106	090-031774	Swivel Adaptor Union	1
45	091-408476	Needle Valve	1	107	091-980946	Screw, Hex. Hd. Cap 7/16-14NC x 1	2
46	091-236547	Relief Valve	1	108	091-209031	90° Street Elbow (Brass)	1
47	135-023430	Pipe Nipple	2			Following not shown:	
48	091-208579	Service Tee (Brass)	2		091-227488	Pipe Plug (C-80, C-180)	1
49	093-034171	Orifice (.0465 Dia)	1		091-971291	Steel Tubing 1/4 O.D. (C-1216A, CE-1216A, CT-1216A)	A.R.
50	105-046122	Pipe Plug (C-80, C-180)	2		091-172452	Pipe Plug (C-1216A, CE-1216A, CT-1216A)	2
	091-233346	Pipe Plug (C-1216A, CE-1216A, CT-1216A)	1		090-121187	Pipe Nipple (4" long)	1
51	091-443598	Restrictor Valve	1		091-587008	Top Electrical Box (C-1216A, CE-1216A, CT-1216A)	1
52	093-090108	Male Connector	11				
53	093-090058	Male Connector	2				
54	135-003069	Pipe Coupling	2				
55	090-102245	Pipe Nipple	2				
56	091-163865	Oil Filter Assembly (Purolator)	1				
	091-163873	Filter Element	1				
57	090-175367	Hex. Reducer Bushing	2				
58	094-109924	Mounting Bracket	1				
59	093-090165	Male Connector	1				
60	091-335406	Service Tee	2				
61	090-012768	Pipe Plug	1				
62	093-090637	90° Male Elbow	1				
63	091-194019	Solenoid Valve (50 Hz) (C-80, C-180, C-1216A, CT-1216A)	1				
	091-194027	Solenoid Valve (50 Hz) (C-80, C-180, C-1216A, CT-1216A)	1				
	091-487355	Solenoid Valve (50 Hz, 110V) (CE-1216A)	1				

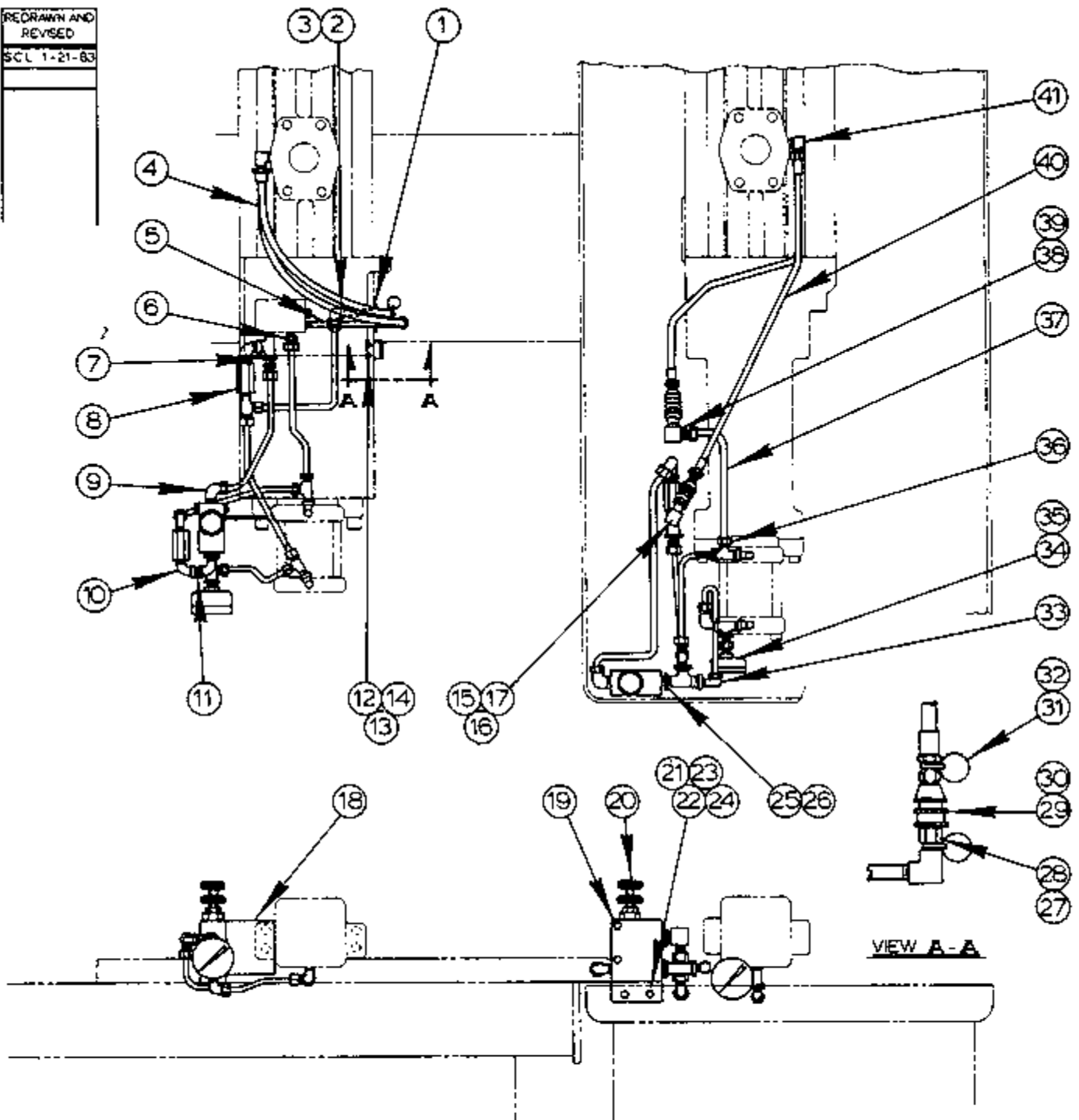


MODEL	FIRST MACH	LAST MACH
C-80	190-70101	190-77988
C-81	342-74101	342-77121
C-82	343-74101	343-78107
C-1216A-6	378-77101	378-79107
C-1216A	373-77101	373-83822
CE-1216A	387-77101	387-83174

VARIABLE VISE PRESSURE ASSEMBLY

VARIABLE VISE PRESSURE ASSEMBLY

INDEX NO.	PART NO.	DESCRIPTION	UNITS PER ASS'Y
Ref.	095-003174	Variable Vise Pressure Assembly	
1	135-008472	. Service Tee.....	4
2	091-022459	. Check Valve.....	4
3	093-090108	. Male Connector.....	5
4	093-090595	. 90° Male Elbow.....	2
5	091-196279	. 90° Street Elbow.....	11
6	114-035074	. Close Nipple.....	4
7	090-120809	. Gauge.....	2
8	091-115436	. Pressure Snubber.....	2
9	093-091254	. Male Run Tee.....	4
10	093-090579	. 90° Male Elbow.....	5
11	091-971309	. Steel Tubing 3/8 O.D.....	A.R.
12	091-217406	. Bracket.....	1
13	091-980326	. Screw, Hex. Hd. Cap 5/16-18NC x 1-3/4.....	4
14	091-147413	. Pressure Reducing Valve.....	2
15	091-217398	. Bracket.....	1
16	091-980441	. Screw, Hex. Hd. Cap 3/8-16NC x 3/4.....	2
17	091-992644	. Washer, Flat 3/8 S.A.E. Std.....	2
18	091-991265	. Nut, Hex. 3/8-16NC.....	2
19	105-115174	. Hex. Reducer Bushing.....	4

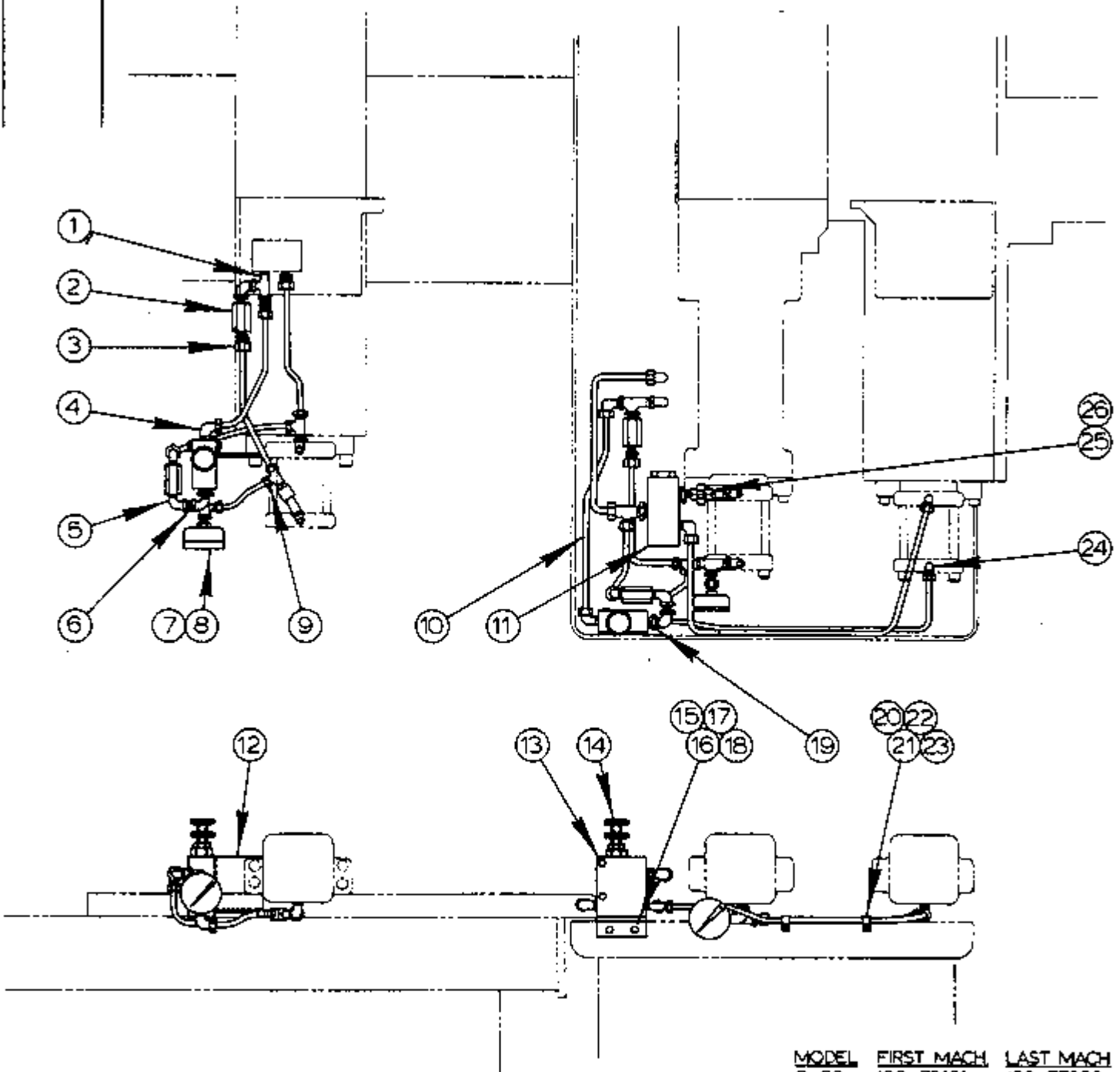


MODEL	FIRST MACH	LAST MACH
C-80	190-70101	190-77988
C-81	342-74101	342-77121
C-82	343-74101	343-78107
C-1216A-6	378-77101	378-79107
C-1216A	373-77101	373-83822
CE-1216A	387-77101	387-83174

VARIABLE VISE PRESSURE ASSEMBLY  
( W/NESTING VISE )

## VARIABLE VISE PRESSURE ASSEMBLY

INDEX NO.	PART NO.	DESCRIPTION	UNITS PER ASS'Y
Ref.	085-003192	Variable Vise Pressure Assembly (W/Nesting Vise)	
1	091-349829	. Bracket.....	1
2	093-090801	. 90° Female Elbow.....	1
3	090-088139	. Pipe Nipple.....	1
4	091-224915	. Hydraulic Hose.....	3
5	135-020089	. Pipe Nipple.....	1
6	093-090108	. Male Connector.....	4
7	135-008472	. Service Tee.....	8
8	091-022459	. Check Valve.....	4
9	093-090595	. 90° Male Elbow.....	2
10	117-135210	. 90° Street Elbow.....	8
11	114-035074	. Close Nipple.....	5
12	091-270546	. Hanger.....	1
13	091-980037	. Screw, Hex. Hd. Cap #10-24NC x 3/8.....	4
14	091-993196	. Washer, Lock #10 Std.....	4
15	091-219337	. 45° Street Elbow.....	2
16	135-024560	. Hex. Reducer Bushing.....	2
17	114-145287	. Close Nipple.....	2
18	091-217406	. Bracket.....	1
19	091-980326	. Screw, Hex. Hd. Cap 5/16-18NC x 1-3/4.....	4
20	091-147413	. Pressure Reducing Valve.....	2
21	091-217398	. Bracket.....	1
22	091-980441	. Screw, Hex. Hd. Cap 3/8-16NC x 3/4.....	2
23	091-993329	. Washer, Lock 3/8 Std.....	2
24	091-991265	. Nut, Hex. 3/8-16NC.....	2
25	105-115174	. Hex. Reducer Bushing.....	3
26	090-082546	. 90° Street Elbow.....	1
27	091-219170	. Coupling.....	4
28	091-219329	. Dust Cap.....	4
29	091-219188	. Coupling.....	4
30	091-219311	. Dust Cap.....	4
31	091-406520	. Tag.....	4
32	091-069666	. Cable Tfe.....	4
33	093-090579	. 90° Male Elbow.....	6
34	090-120809	. Gauge.....	2
35	091-115436	. Pressure Snubber.....	2
36	093-091254	. Male Run Tee.....	4
37	091-971309	. Steel Tubing 3/8 O.D.....	A.R.
38	135-003069	. Pipe Coupling.....	1
39	135-023448	. Pipe Nipple.....	1
40	090-209123	. Hydraulic Hose.....	1
41	105-275069	. 90° Street Elbow.....	6



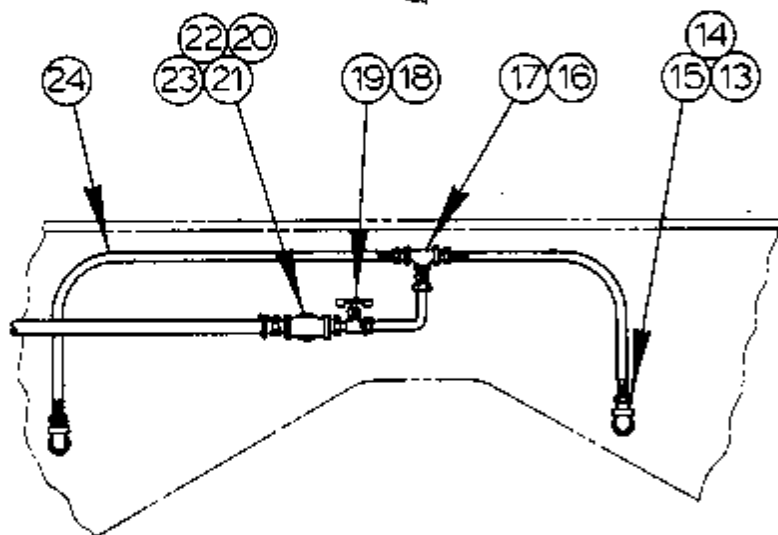
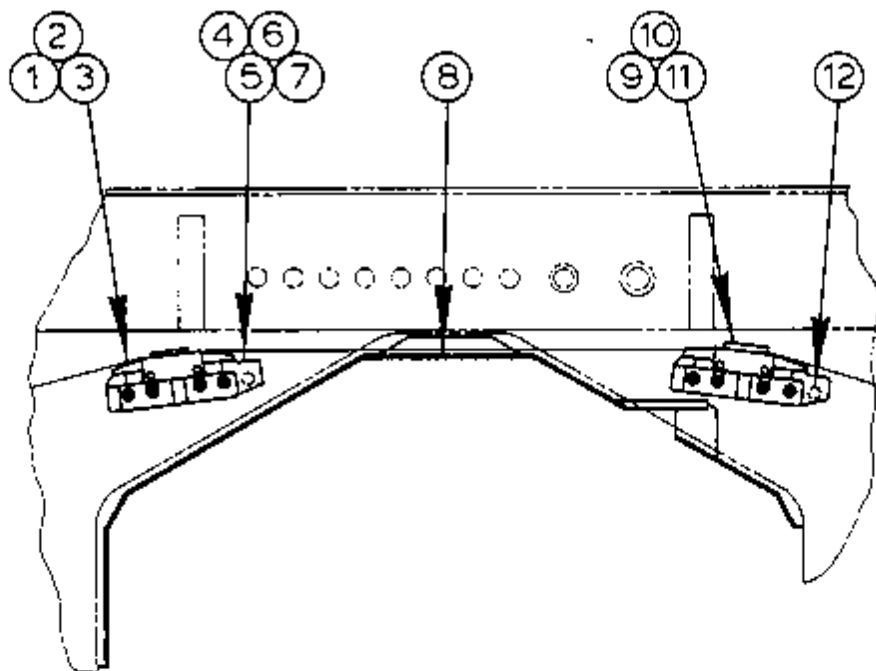
MODEL	FIRST MACH	LAST MACH
C-80	190-70101	190-77988
C-81	342-74101	342-77121
C-82	343-74101	343-76107
C-1216A-6	378-77101	378-79107
C-1216A	373-77101	373-83822
CE-1216A	387-77101	387-83174

VARIABLE VISE PRESSURE ASSEMBLY  
 (W/OUTBOARD VISE)

## VARIABLE VISE PRESSURE ASSEMBLY

INDEX NO.	PART NO.	DESCRIPTION	UNITS PER ASS'Y
Ref.	085-003184	Variable Vise Pressure Assembly (W/Outboard Vise)	
1	135-008472	. Service Tee.....	3
2	091-022459	. Check Valve.....	4
3	093-090108	. Male Connector.....	4
4	093-090595	. 90° Male Elbow.....	2
5	117-135210	. 90° Street Elbow.....	10
6	114-035074	. Close Nipple.....	5
7	090-120809	. Gauge.....	2
8	091-115436	. Pressure Snubber.....	2
9	093-091254	. Male Run Tee.....	5
10	091-971309	. Steel Tubing 3/8 O.D.....	A.R.
11	091-292391	. Flow Divider Valve.....	1
12	091-217406	. Bracket.....	1
13	091-980326	. Screw, Hex. Hd. Cap 5/16-18NC x 1-3/4.....	4
14	091-147413	. Pressure Reducing Valve.....	2
15	091-217398	. Bracket.....	1
16	091-980441	. Screw, Hex. Hd. Cap 3/8-16NC x 3/4.....	2
17	091-992644	. Washer, Flat 3/8 S.A.E. Std.....	2
18	091-991265	. Nut, Hex. 3/8-16NC.....	2
19	105-115174	. Hex. Reducer Bushing.....	6
20	090-099557	. Tube Clamp.....	4
21	091-988691	. Screw, Rd. Hd. Mach. #10-24NC x 1/2.....	2
22	091-991117	. Nut, Hex. #10-24NC.....	2
23	091-992586	. Washer, Flat #10 S.A.E. Std.....	2
24	093-090579	. 90° Male Elbow.....	7
25	090-121021	. Pipe Union.....	1
26	135-023430	. Pipe Nipple.....	1

REVISED AND  
 REDRAWN  
 S.C.L. 5-26-82



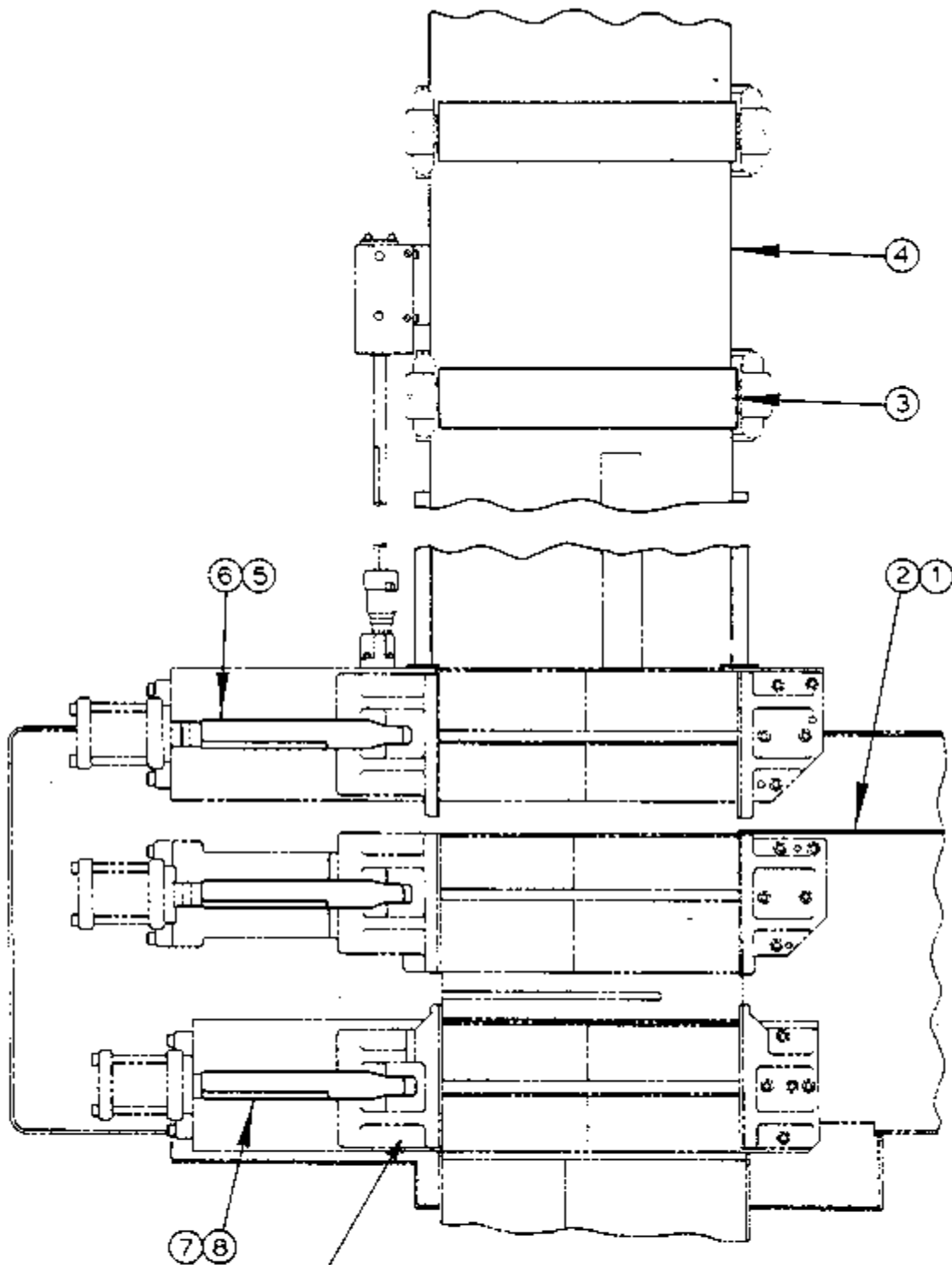
REAR VIEW OF HEAD PLATE

<u>MODEL</u>	<u>FIRST MACH.</u>	<u>LAST MACH.</u>
C-79	300-70101	300-77245
C-80	190-70101	190-77988
C-81	342-74101	342-77121
C-82	343-74101	343-76107

WORK CAPACITY ASSEMBLY  
 ( 15" ROUNDS )

## WORK CAPACITY ASSEMBLY

INDEX NO.	PART NO.	DESCRIPTION	UNITS PER ASS'Y
Ref.	093-027613	15" Round Work Capacity Assembly	
1	093-013480	. Shoe (1" Band).....	2
2	093-043644	. Shoe (1-1/4" Band).....	2
3	091-982199	. Screw, Soc. Hd. Cap #10-24NC x 3/8.....	4
4	091-993550	. Washer, Lock #10 Shakeproof Int.....	4
5	094-037546	. Bracket (1" Band).....	2
6	094-065596	. Bracket (1-1/4" Band).....	2
7	091-982603	. Screw, Soc. Hd. Cap 5/16-18NC x 1.....	8
8	090-019936	. Washer, Lock 5/16 Hi-Collar.....	8
9	091-140913	. Screw, Soc. Set 5/16-18NC x 5/8 (Nyllok).....	A.R.
10	094-040177	. Band Guard and Coolant Trough Assembly.....	1
11	091-281634	. Carbide Back-up Assembly.....	2
12	091-982389	. Screw, Soc. Hd. Cap 1/4-20NC x 5/8.....	4
13	091-993741	. Washer, Lock 1/4 Shakeproof Ext.....	4
14	093-017663	. Coolant Assembly.....	1
15	135-036473	. . 90° Elbow.....	2
16	090-116583	. . Pipe Nipple.....	2
17	090-160011	. . Barbed Insert.....	4
18	135-058006	. . Tee.....	1
19	093-090041	. . Male Connector.....	1
20	090-020272	. . Shut-off Cock.....	1
21	091-971291	. . Steel Tubing 1/4 O.D.....	A.R.
22	135-009835	. . Tee.....	1
23	135-011492	. . Pipe Nipple.....	1
24	091-022988	. . Barbed Insert.....	1
	135-044550	. . Hex. Reducer Bushing.....	1
	091-971440	. . Plastic Tubing 1/4 I.D.....	A.R.



OUTBOARD VISE  
WHEN SUPPLIED

MODEL	FIRST MACH	LAST MACH
C-80	190-70101	190-77988
C-1216A	373-77101	373-80563
CE-1216A	387-77101	387-80150

WORK CAPACITY ASSEMBLY  
(18 INCH)

## WORK CAPACITY ASSEMBLY

INDEX NO.	PART NO.	DESCRIPTION	UNITS PER ASS'Y
Ref.	085-003309	18" Work Capacity Assembly (C-80)	
Ref.	085-059095	18" Work Capacity Assembly (C-1216A, CE-1216A)	
1	094-017464	. Guard (C-80).....	1
	094-077278	. Guard (C-1216A, CE-1216A).....	1
2	091-988964	. Screw, Rd. Hd. Mach. 1/4-20NC x 5/8.....	1
3	091-036293	. Roller.....	3
4	095-012837	. Feed Table Weldment.....	1
*5	093-040012	. Pawl (22-5/16" Long).....	2
*6	093-040020	. Pawl (11-9/16" Long).....	2

## FOLLOWING NOT SHOWN:

080-524420	. 10' Conveyor Assembly (See Detail).....	1
093-029429	. R.H. Blade Guard (C-80).....	1
093-061067	. R.H. Blade Guard (C-1216A, CE-1216A).....	1
093-047868	. Roller Sub-Assembly.....	1

\*NOTE: Item #5 was 090-306499 and Item #6 was 090-304791 before serial #190-76846 on C-80 Only.

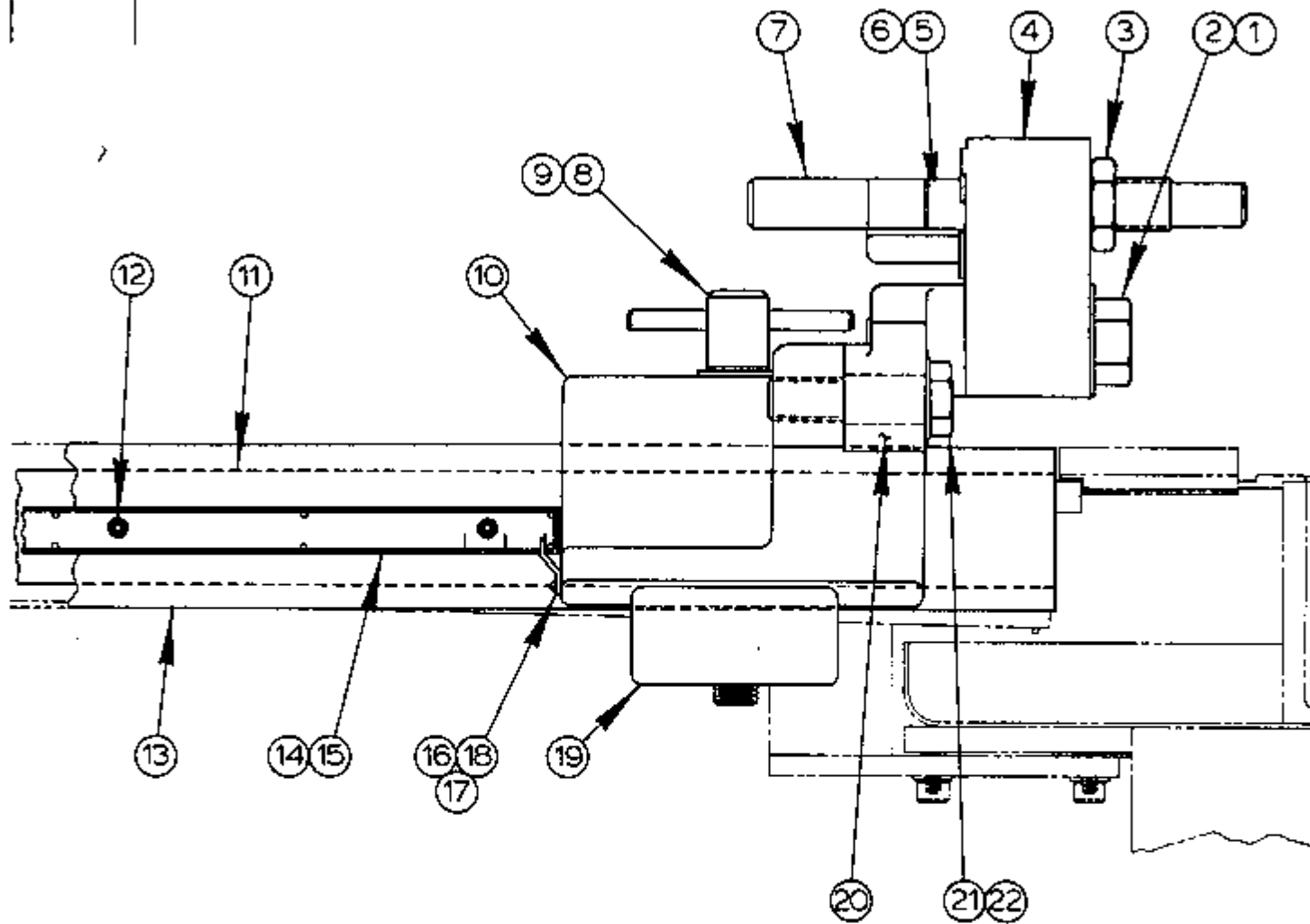
## FOR MACHINES WITH 18" WORK CAPACITY WITH OUTBOARD VISE:

**7	093-040012	. Pawl (22-5/16" Long).....	1
**8	093-040020	. Pawl (11-9./6" Long).....	1

\*\*NOTE: Item #7 was 090-306499 and Item #8 was 090-304791 before serial #190-76815 on C-80 Only.

REVISED AND  
REDRAWN

SCL 1-18-83



<u>MODEL</u>	<u>FIRST MACH</u>	<u>LAST MACH</u>
C-80	190-70101	190-77988
C-1216A	373-77101	373-83822
CE-1216A	387-77101	387-83174

WORK STOP ASSEMBLY

WORKSTOP ASSEMBLY

INDEX NO.	PART NO.	DESCRIPTION	UNITS PER ASS'Y
Ref.	080-561004	Workstop Assembly	
1	091-997112	. Screw, Hex. Hd. Cap 1-1/4-7NC x 5-1/2.....	1
2	091-993071	. Washer, Flat 1-1/4 Wrought.....	1
3	091-991992	. Nut, Hex. Jam 1-1/4-16NF.....	1
4	090-251042	. Stop Arm.....	1
5	090-114430	. Plate (Inch).....	1
	090-122425	. Plate (Metric).....	1
6	091-994616	. Screw, Rd. Hd. Self-Tap #6-32NC x 3/8.....	2
7	091-063032	. Adjustable Screw.....	1
8	090-130469	. Handle Sub-Assembly.....	1
9	091-992701	. Washer, Flat 1 S.A.E. Std.....	1
10	090-469339	. Slide.....	1
11	090-320797	. Slide Plate.....	1
12	091-982611	. Screw, Soc. Hd. Cap 5/16-18NC x 1-1/4.....	5
13	090-320789	. Slide Plate.....	1
14	090-286485	. Rule (Inch).....	1
	090-286920	. Rule (Metric).....	1
15	091-994608	. Screw, Rd. Hd. Self-Tap #6-32NC x 1/4.....	10
16	090-130477	. Pointer.....	1
17	091-988675	. Screw, Rd. Hd. Mach. #10-24NC x 3/8.....	2
18	091-992586	. Washer, Flat #10 S.A.E. Std.....	2
19	090-130485	. Clamp.....	1
20	090-469321	. Hinge.....	1
21	091-054304	. Bolt, Hex. Hd. 1-1/8-7NC x 1-3/4.....	1
22	091-170324	. Belleville Washer.....	1

FOLLOWING NOW SHOWN:

090-253246	. Open End Wrench.....	1
------------	------------------------	---